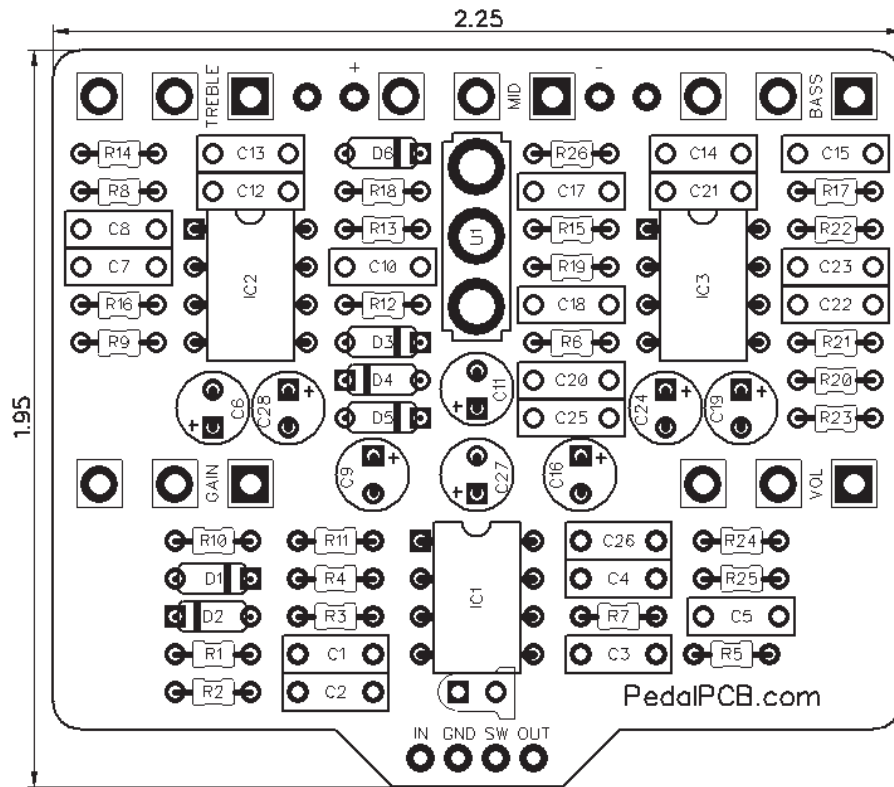


Wrectifier

Revision 02.23.19



Resistors

R1	1M
R2	1K
R3	470K
R4	10K
R5	470K
R6	470K
R7	1K
R8	470K
R9	10K
R10	1K
R11	47K
R12	100K
R13	1K
R14	470K
R15	47K
R16	4K7
R17	1K
R18	10K
R19	47K

R20	33K
R21	33K
R22	680K
R23	10K
R24	10K
R25	10K
R26	4K7

Capacitors

C1	220nF
C2	220pF
C3	33nF
C4	560pF
C5	220nF
C6	1uF
C7	220pF
C8	220nF
C9	1uF
C10	220pF
C11	1uF
C12	4.7nF
C13	47nF
C14	47nF
C15	100nF
C16	1uF
C17	470pF
C18	47nF
C19	1uF

C20	100nF
C21	47nF
C22	1nF
C23	330pF
C24	1uF
C25	4.7nF
C26	10nF
C27	100uF
C28	10uF

Semiconductors

IC1	TL072
IC2	TL072
IC3	TL072
D1	1N4148
D2	1N4148
D3	1N4148
D4	1N4148
D5	1N4148
D6	1N5817
D7	3mm LED

Switches

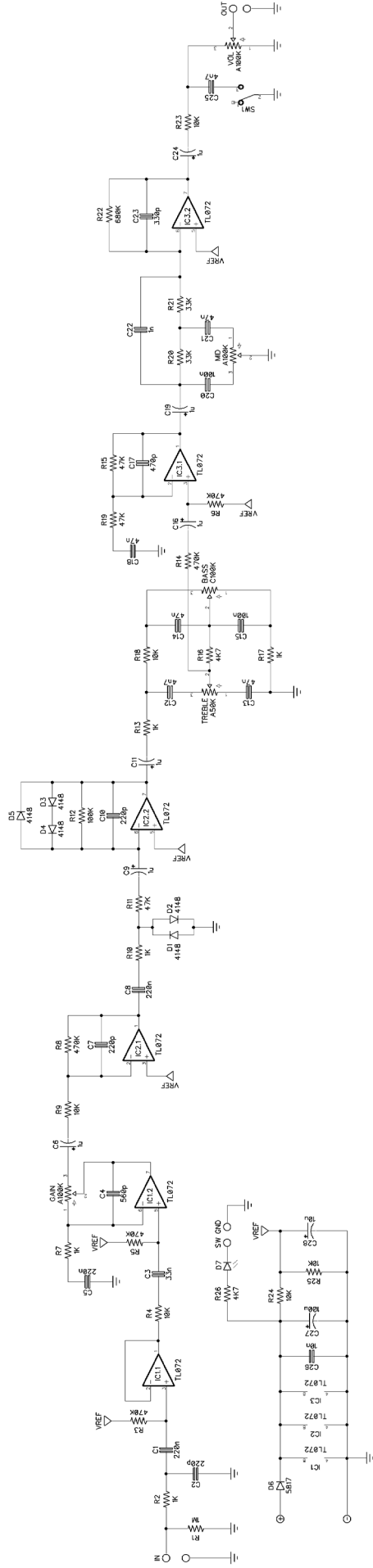
Vintage/Modern

Potentiometers

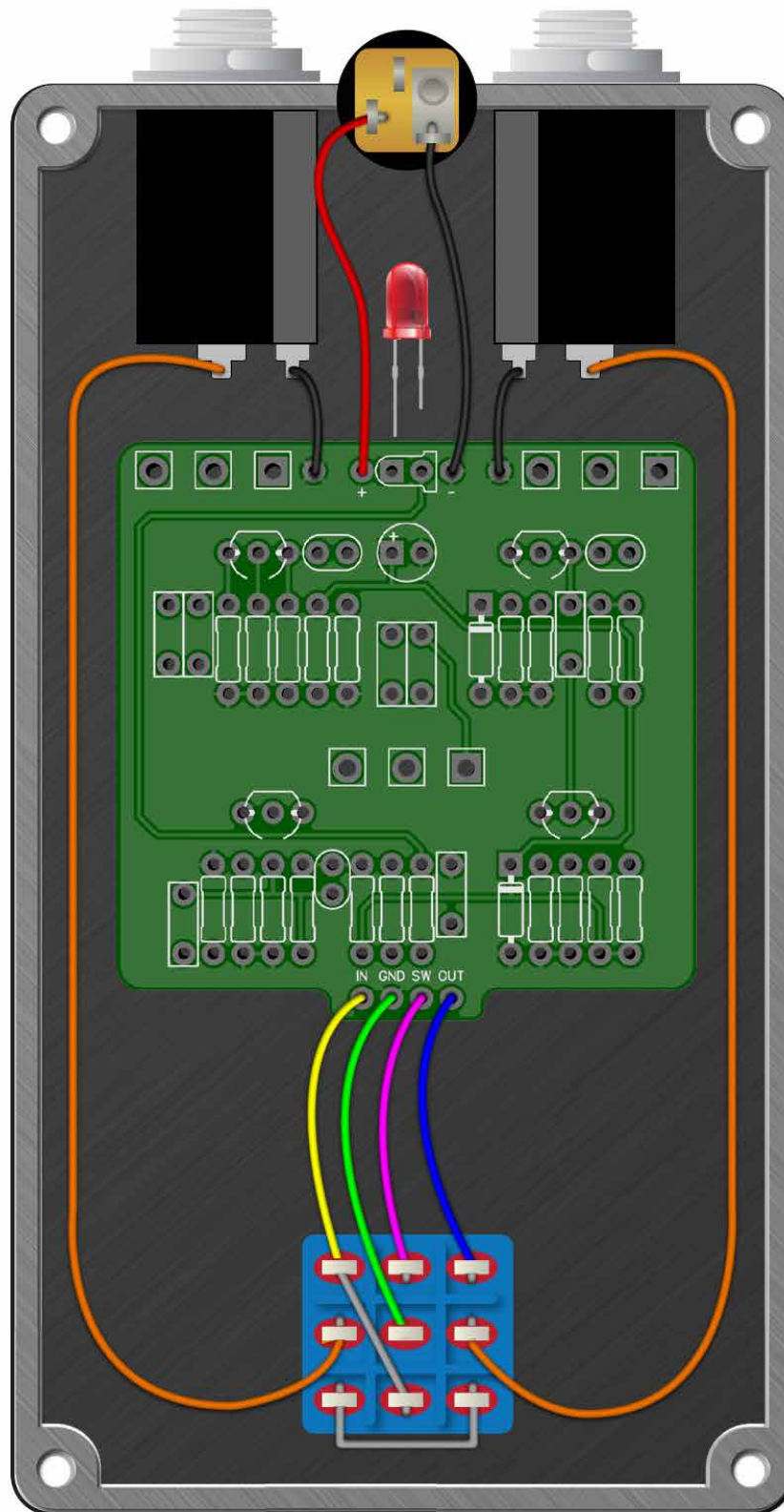
VOL	A100K
GAIN	A100K
BASS	C100K
MID	A100K
TREBLE	A50K

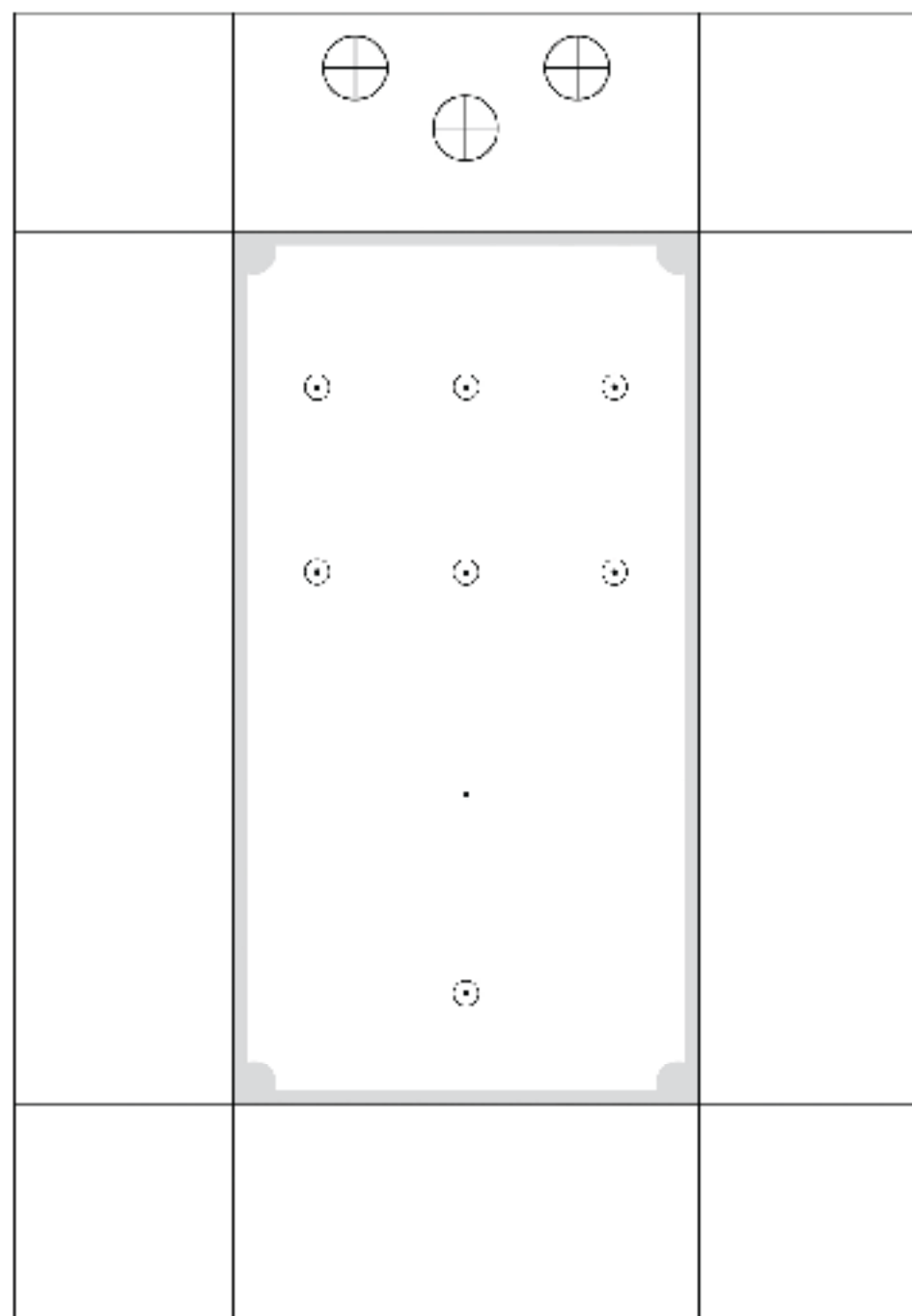
SPDT Toggle

Wrectifier



Wiring Diagram





Bill of Materials

Resistors (1/8W)

5 x 1K
2 x 4K7
6 x 10K
2 x 33K
3 x 47K
1 x 100K
5 x 470K
1 x 680K
1 x 1M

Capacitors

3 x 220pF
1 x 330pF
1 x 470pF
1 x 560pF
1 x 1nF
2 x 4.7nF
1 x 10nF
1 x 33nF
4 x 47nF
2 x 100nF
3 x 220nF
6 x 1uF
1 x 10uF
1 x 100uF

Semiconductors

3 x TL072

5 x 1N4148
1 x 1N5817

1 x 3mm LED

Potentiometers

1 x A50K
3 x A100K
1 x C100K

Switches

1 x SPDT