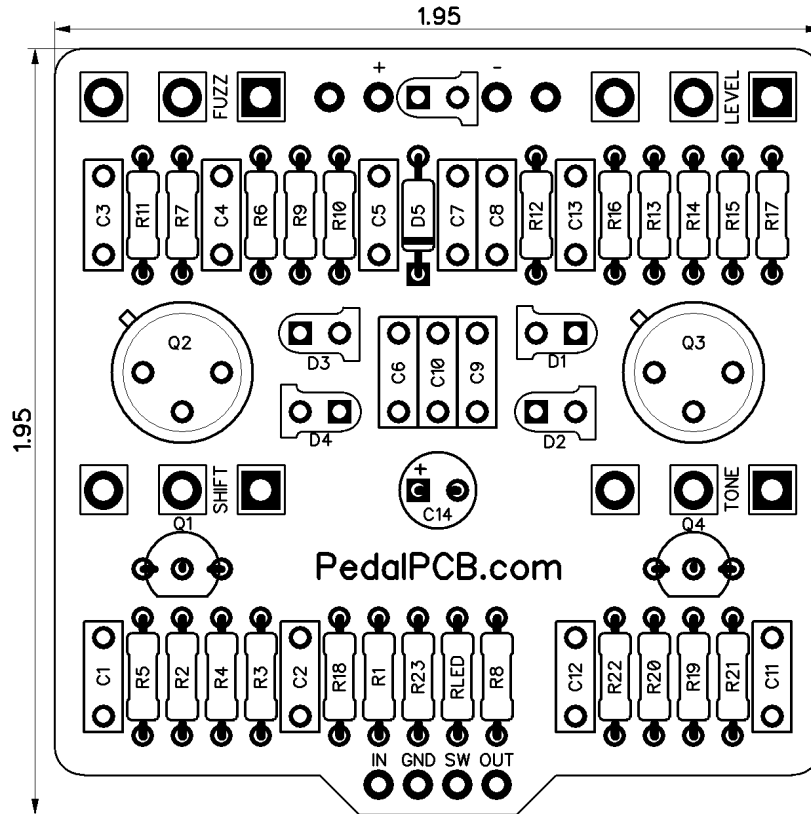


Ungula

Revision 05.04.19



Resistors

R1	39K
R2	100K
R3	470K
R4	15K
R5	100
R6	2K2
R7	8K2
R8	100K
R9	470K
R10	15K
R11	100
R12	8K2
R13	100K
R14	470K
R15	15K
R16	100
R17	39K
R18	2K2
R19	100K

R20	390K
R21	10K
R22	2K2
R23	1M
RLED	4K7

Capacitors

C1	100nF
C2	470pF
C3	100nF
C4	100nF
C5	100nF
C6	470pF*
C7	100nF
C8	100nF
C9	470pF
C10	6.8nF
C11	6.8nF
C12	100nF
C13	100nF
C14	100uF

Semiconductors

Q1	2N3904*
Q2	2N1308*
Q3	2N1308*
Q4	2N3904*
D1	3mm Red LED*
D2	3mm Red LED*
D3	3mm Red LED
D4	3mm Red LED
D5	1N5817
LED	3mm Red LED

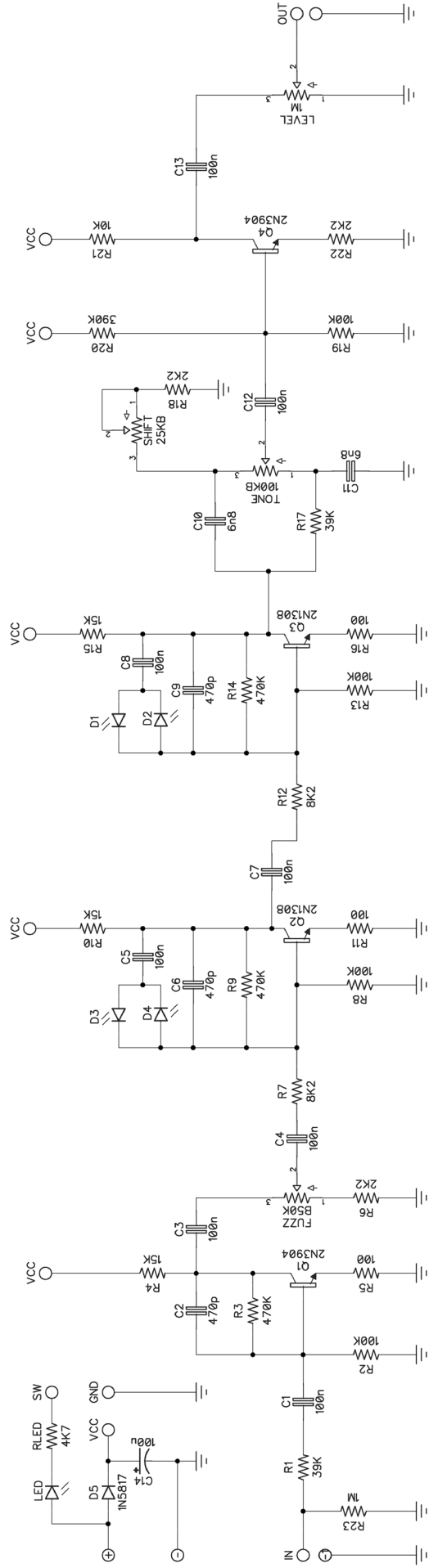
Potentiometers

FUZZ	B50K
LEVEL	A1M
TONE	B100K
SHIFT	B25K

* Cleft Mod

Q1	2N5089
Q2	MPSA13
Q3	MPSA13
Q4	2N5089
D1	1N4148
D2	1N4148
C6	OMIT

Ungula



Wiring Diagram

