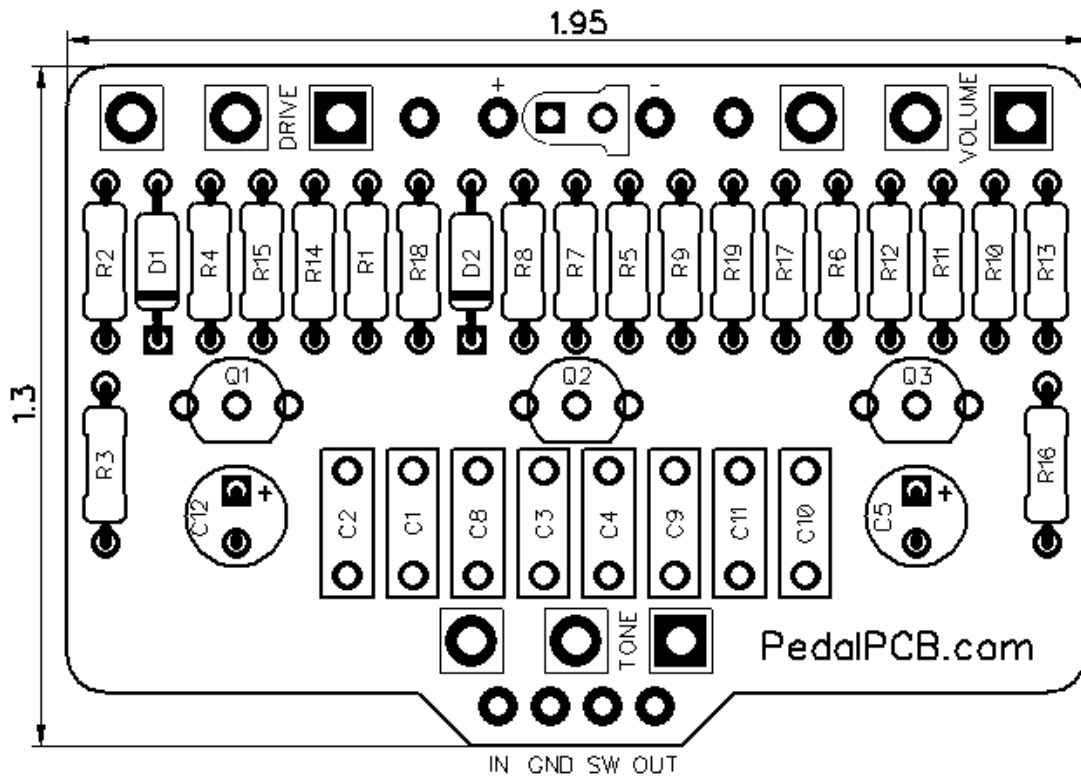


PedalPCB.com

Tweed Sound

Revision 01.12.18



Resistors

R1	1M
R2	1M
R3	1M
R4	5K1
R5	470K
R6	1M
R7	1M
R8	5K1
R9	270
R10	1M
R11	521K
R12	5K1
R13	358
R14	47K
R15	82K
R16	10K
R17	10K
R18	82
R19	4K7

Capacitors

C1	100n
C2	10n
C3	470p
C4	10n
C5	1u
C8	100n
C9	22n
C10	2n2
C11	2n2
C12	47u

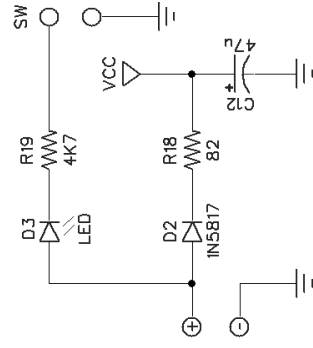
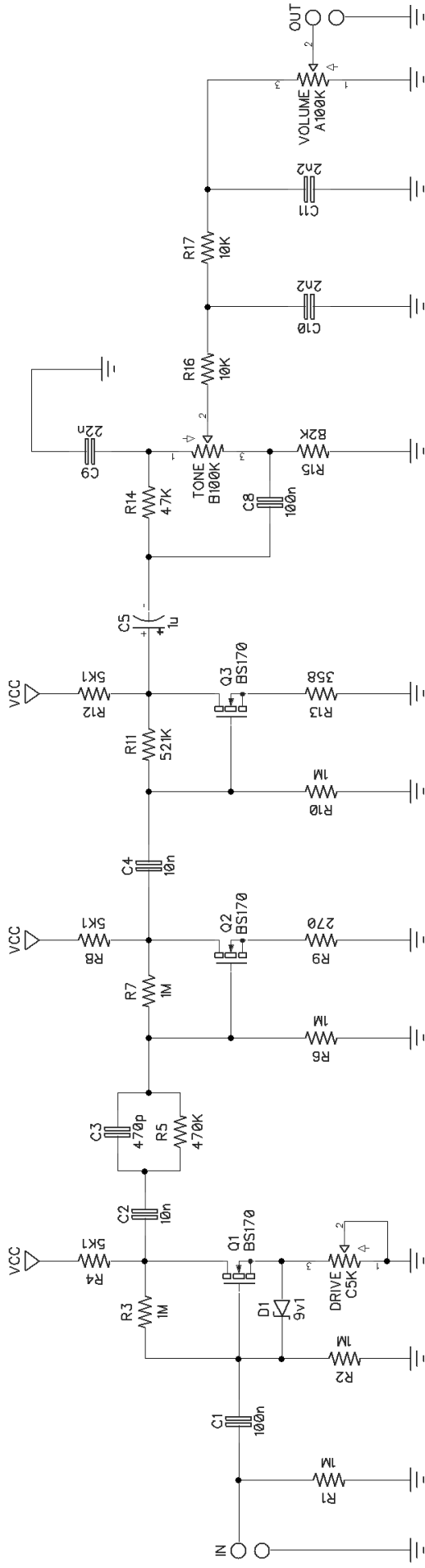
Semiconductors

Q1	BS170
Q2	BS170
Q3	BS170
D1	1N4739A
D2	1N5817
D3	Indicator LED

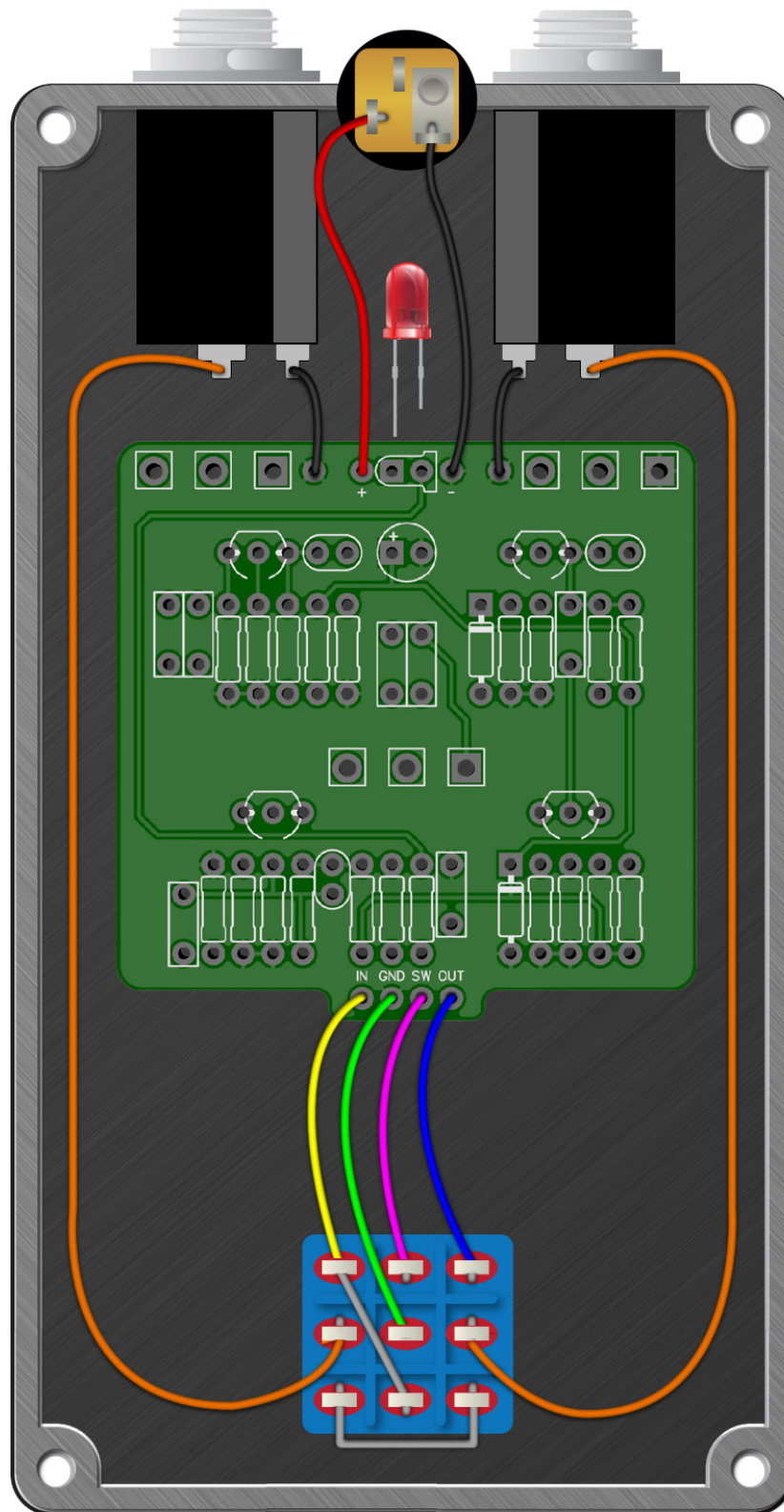
Potentiometers

VOLUME	A100K
TONE	B100K
DRIVE	C5K

Tweed Sound



Wiring Diagram



Drill Template

4S125B enclosure with top mounted jacks

