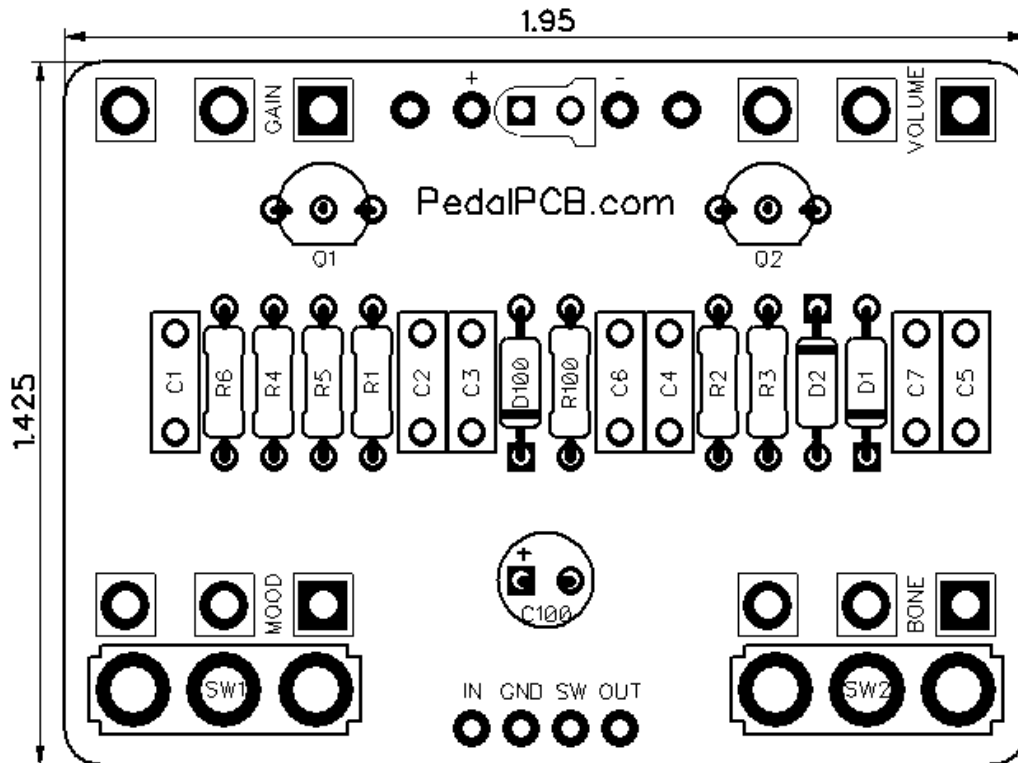


PedalPCB.com

Trumpeter

Revision 01.09.18



Resistors

R1	560K
R2	560K
R3	18K
R4	2K
R5	150K
R6	39K
R100	4K7

Capacitors

C1	100n
C2	22n
C3	47p
C4	220n
C5	22n
C6	1n
C7	2n2
C100	47u

Semiconductors

IQ1	2N5088
Q2	2N2907A
D1	1N4148
D2	1N4148
D100	1N5817

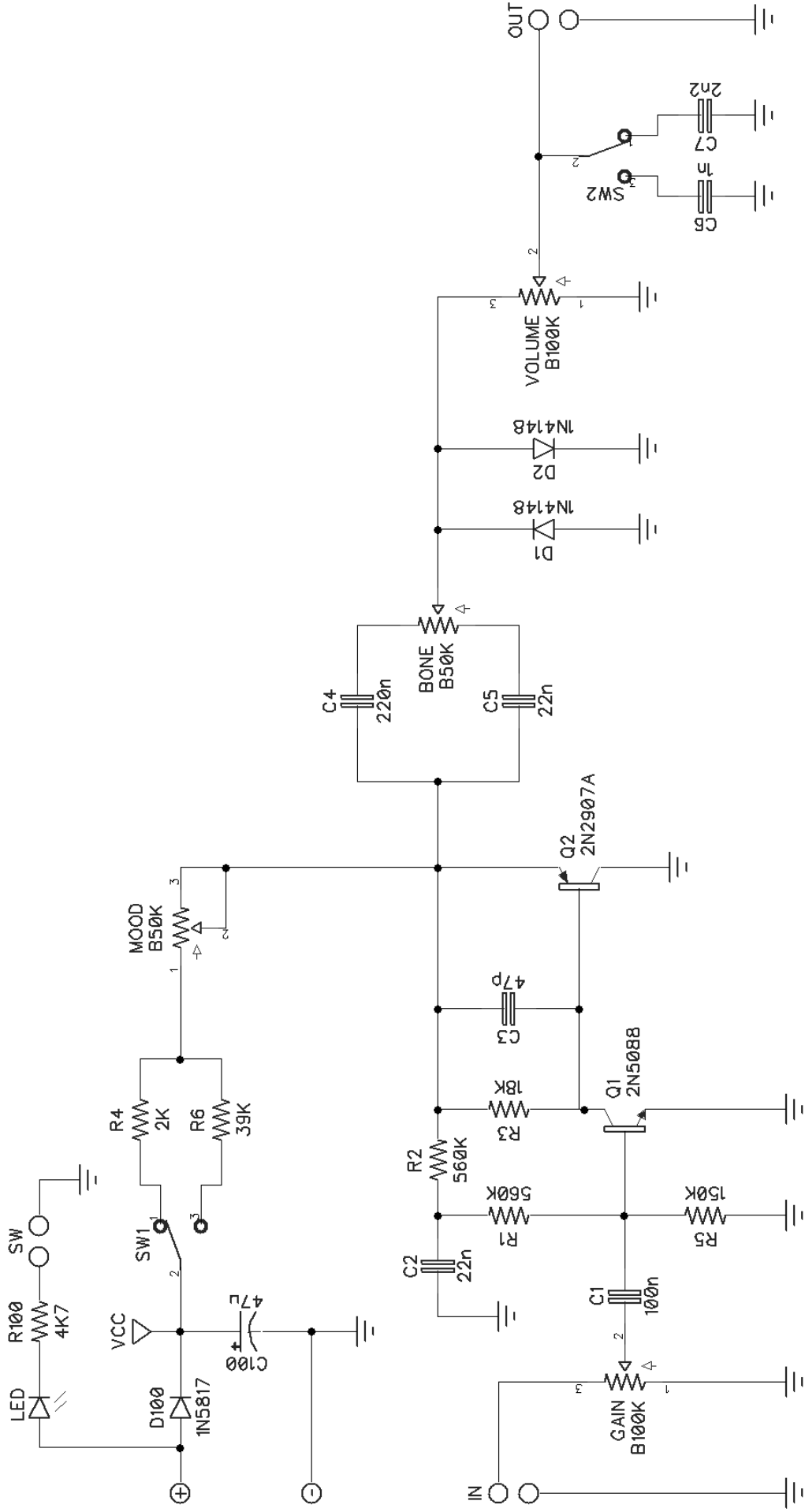
Potentiometers

GAIN	B100K
BONE	B50K
MOOD	B50K
VOLUME	B100K

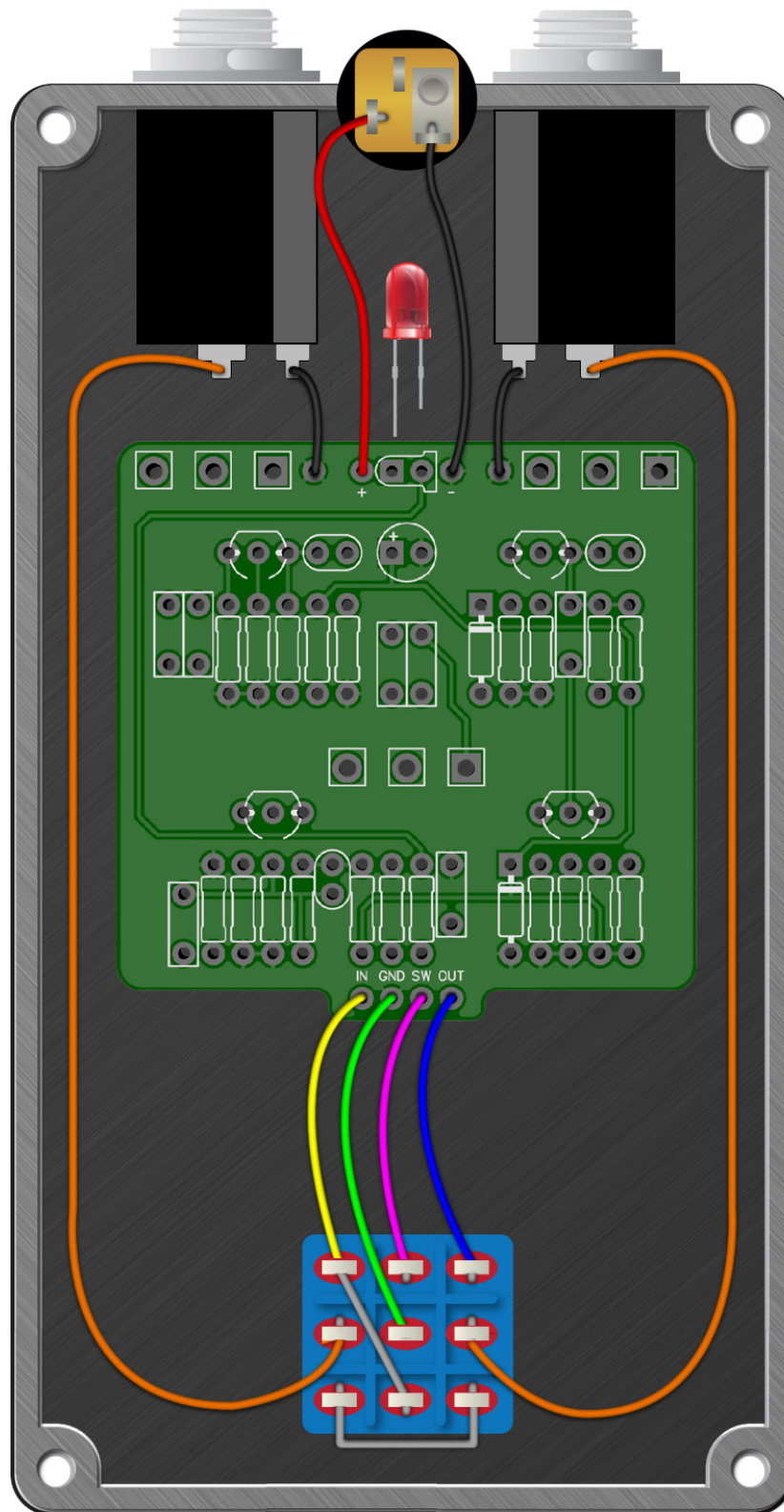
Switches

SW1	SPDT (On/On)
SW2	SPDT (On/Off/On)

Trumpeter



Wiring Diagram



Drill Template

4S125B enclosure with top mounted jacks

