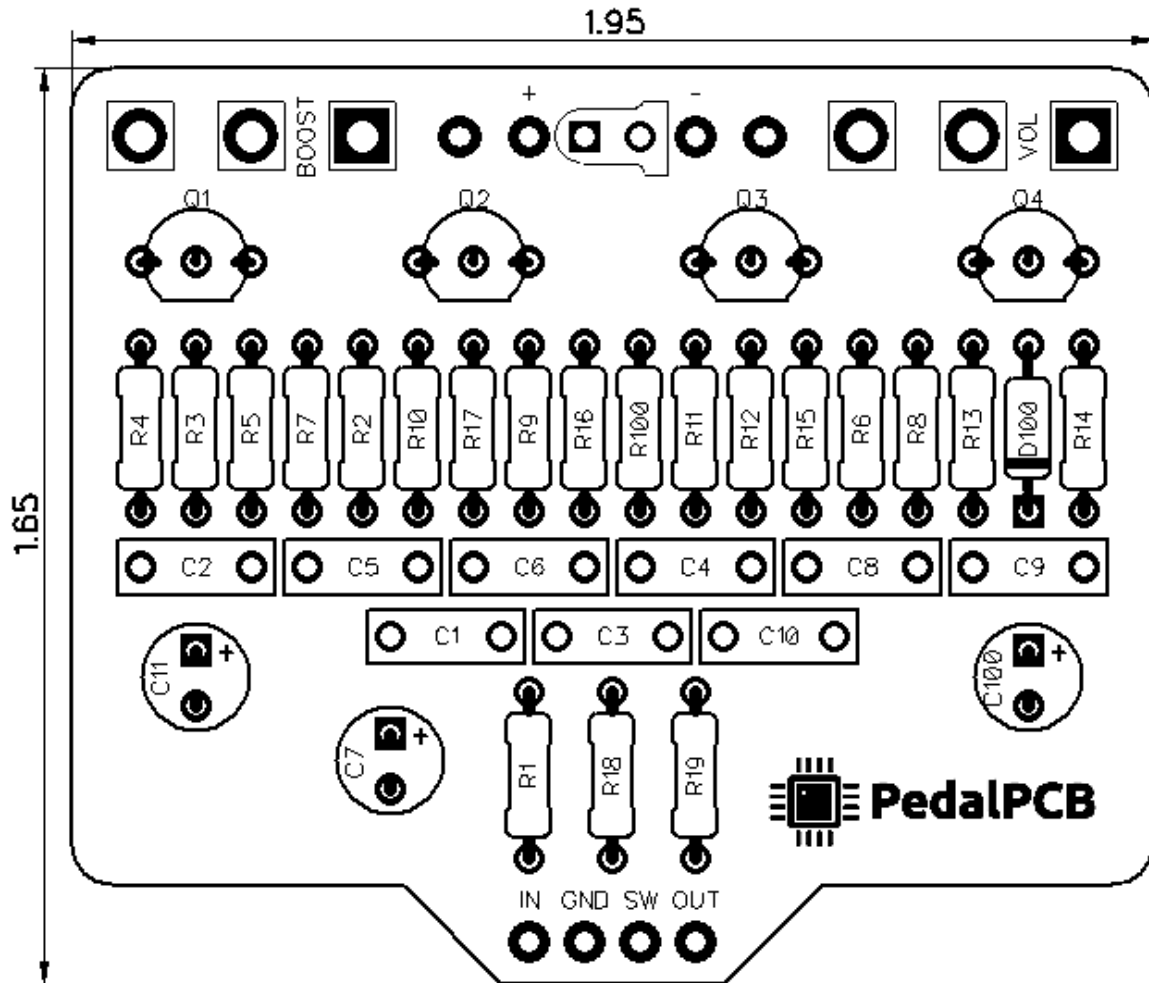




# PedalPCB

## The Clap

Revision 07.14.18



### Controls

- **Volume** - Controls overall output volume
- **Boost** - Controls amount of midrange boost

# The Clap

## Parts List

**RESISTORS**

R1 470R  
R2 330K  
R3 1M5  
R4 4K7  
R5 22K  
R6 2K2  
R7 1K8  
R8 3K3  
R9 22K  
R10 82K  
R11 100K  
R12 15K  
R13 47R  
R14 33K  
R15 47K  
R16 47K  
R17 232K  
R18 215K  
R19 133K  
R100 4K7

**CAPACITORS**

C1 330p  
C2 47n  
C3 100n  
C4 120p  
C5 6n8  
C6 22n  
C7 10u  
C8 1n  
C9 10p  
C10 82n  
C11 10u  
C100 100u

**TRANSISTORS**

Q1 2N5088  
Q2 2N5088  
Q3 2N5088  
Q4 2N5087

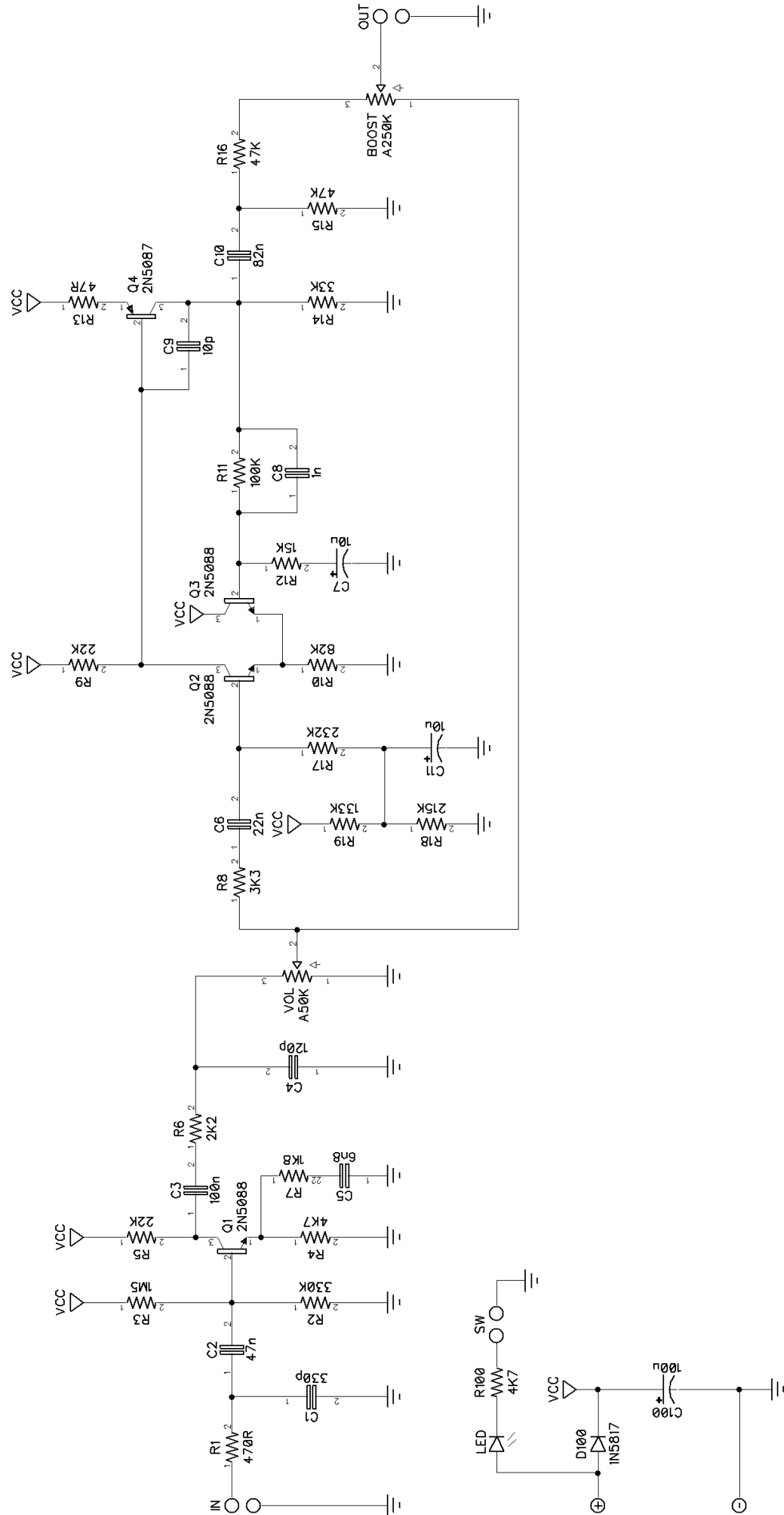
**DIODES**

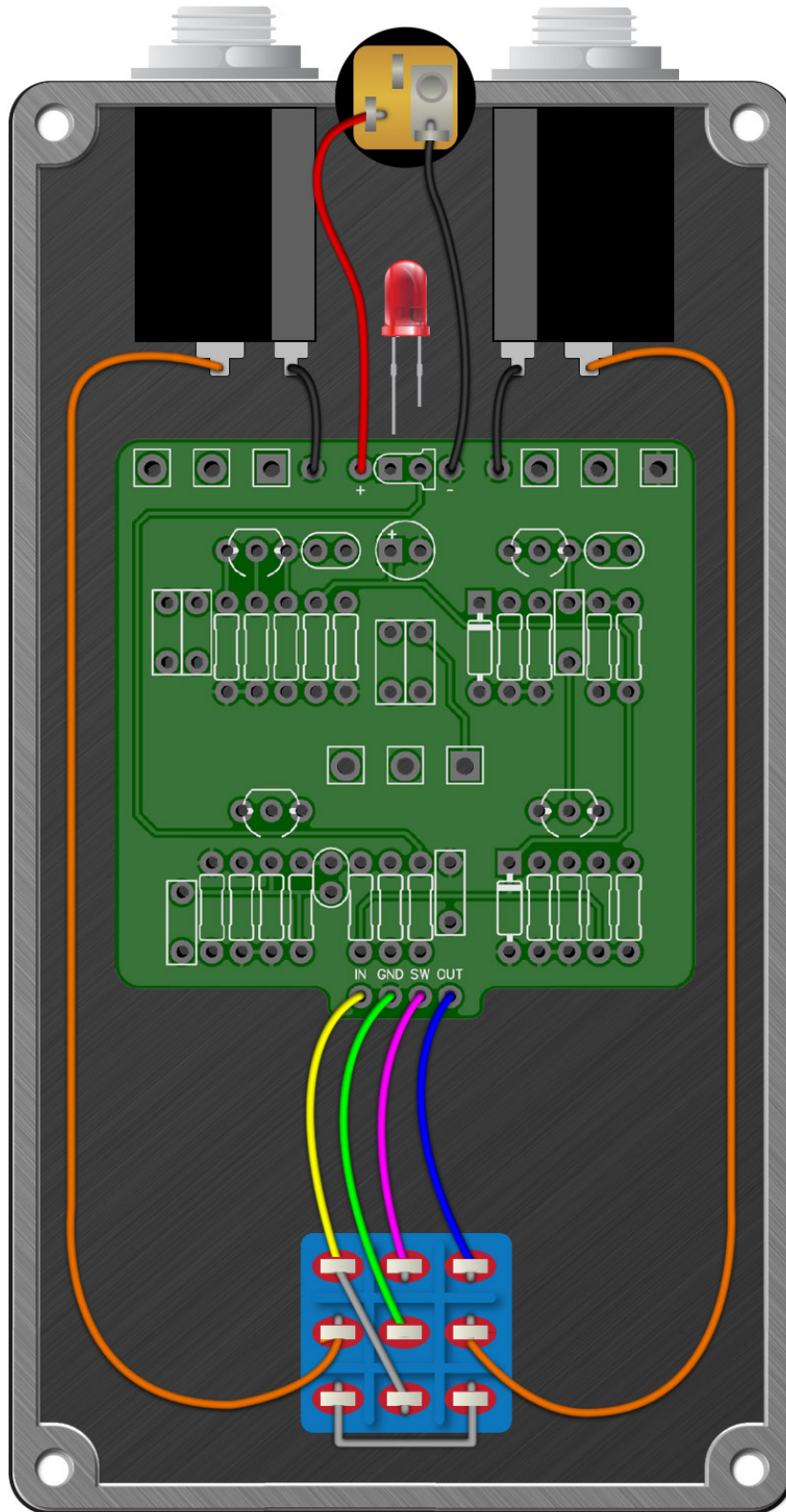
D100 1N5817

**POTENTIOMETERS**

VOL A50K  
BOOST A250K

**PedalPCB**  
**The Clap**





# The Clap

Drill Template  
125B enclosure with top mounted jacks

