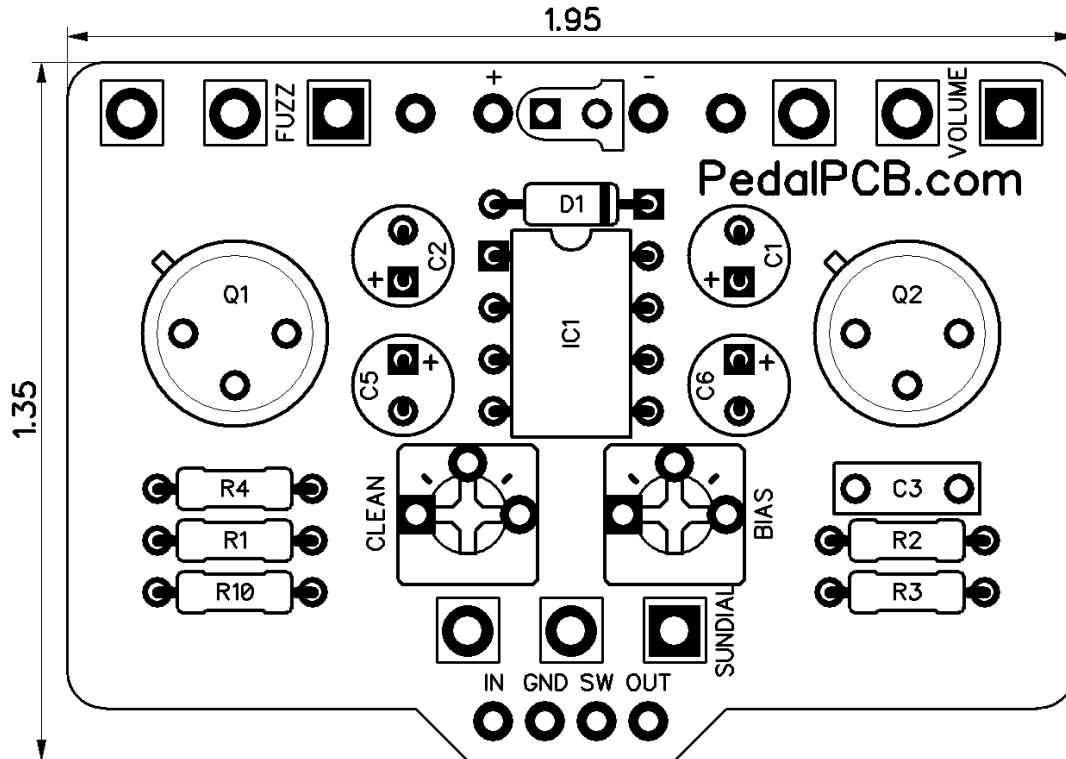


Sunflower Fuzz

Revision 11.05.17



Resistors

R1	100K
R2	33K
R3	1K
R4	470
R10	4K7

Capacitors

C1	1uF
C2	22uF
C3	10nF
C5	10uF
C6	47uF

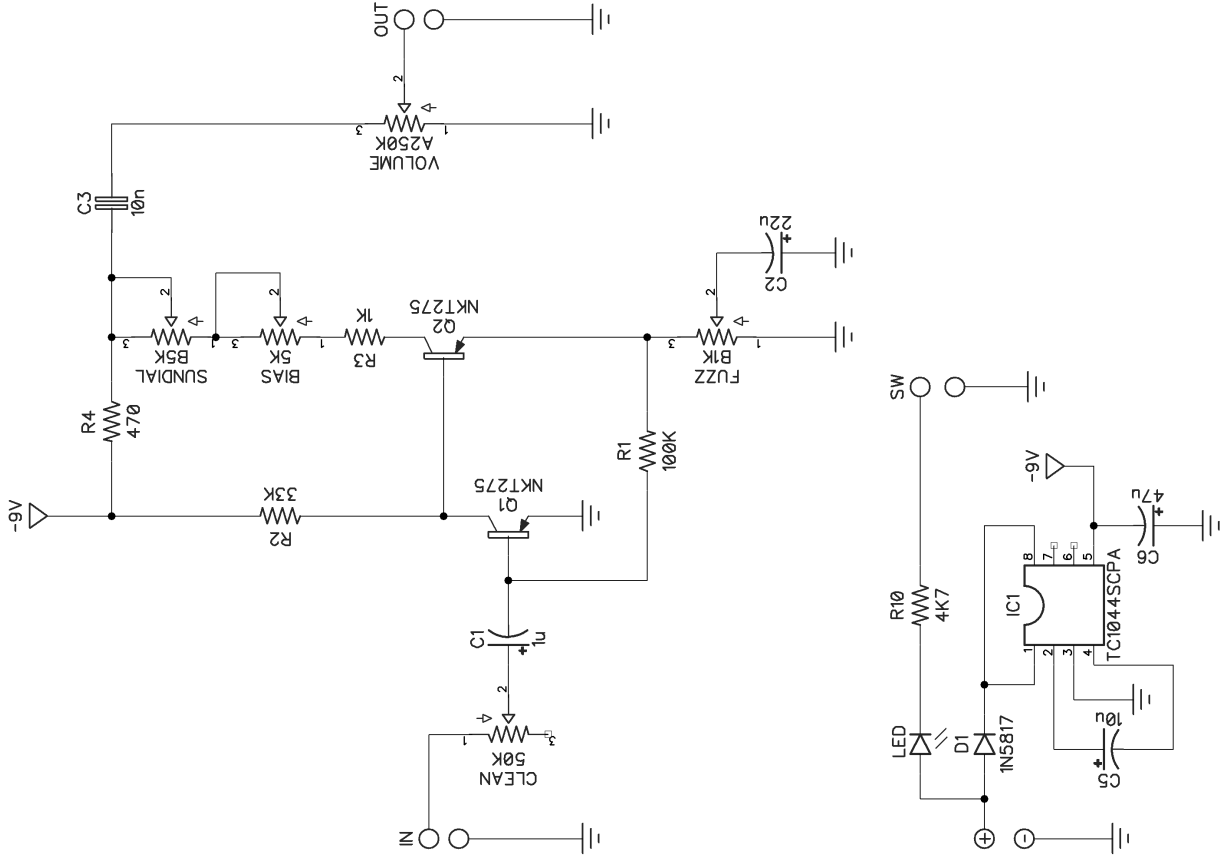
Semiconductors

Q1	NKT275
Q2	NKT275
IC1	TC1044SCPA
D1	1N5817

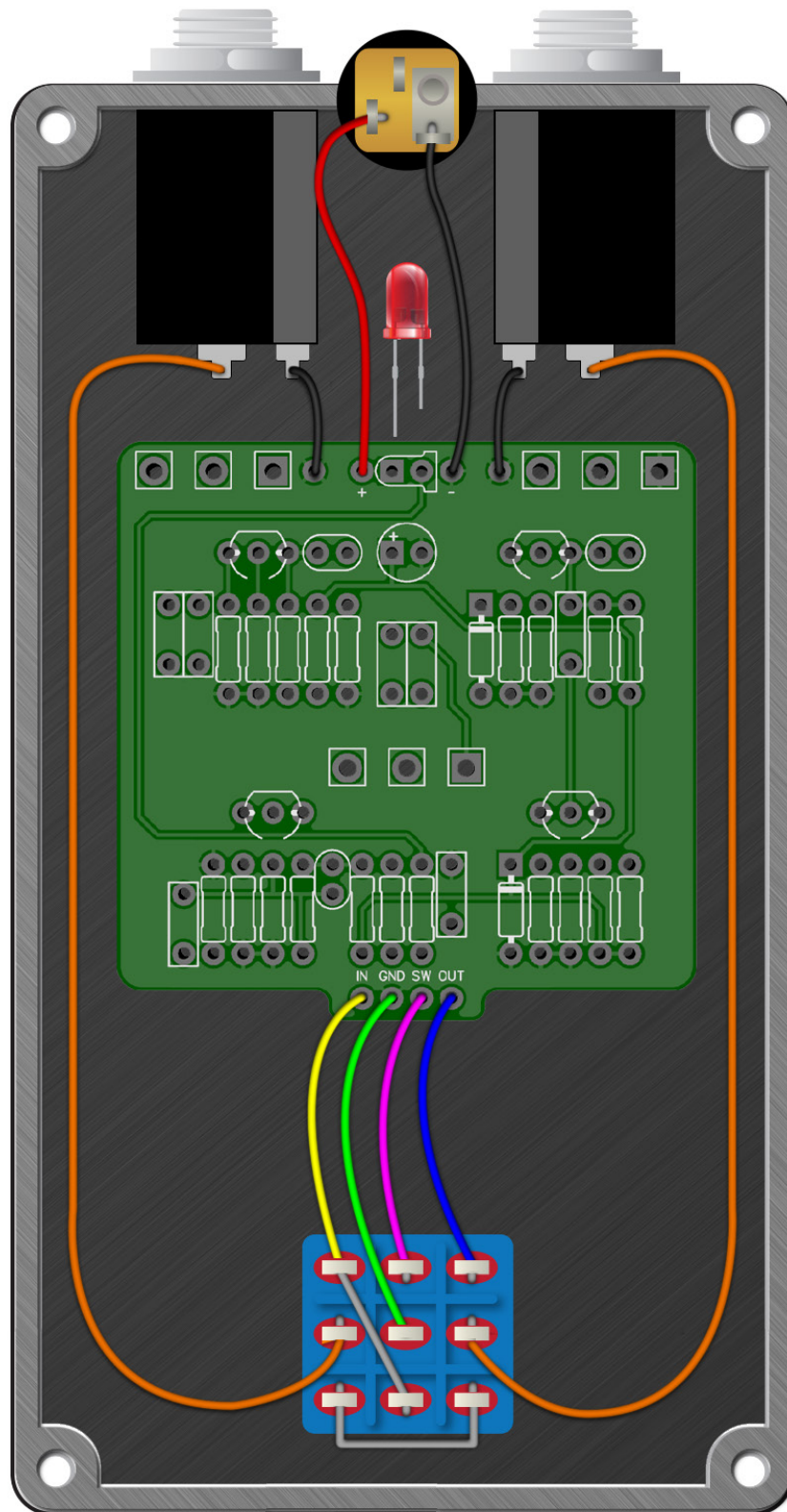
Potentiometers

VOLUME	A250K
FUZZ	B1K
SUNDIAL	B5K
BIAS	5K TRIM
CLEAN	50K TRIM

Sunflower Fuzz



Wiring Diagram



Drill Template

4S125B enclosure with top mounted jacks

