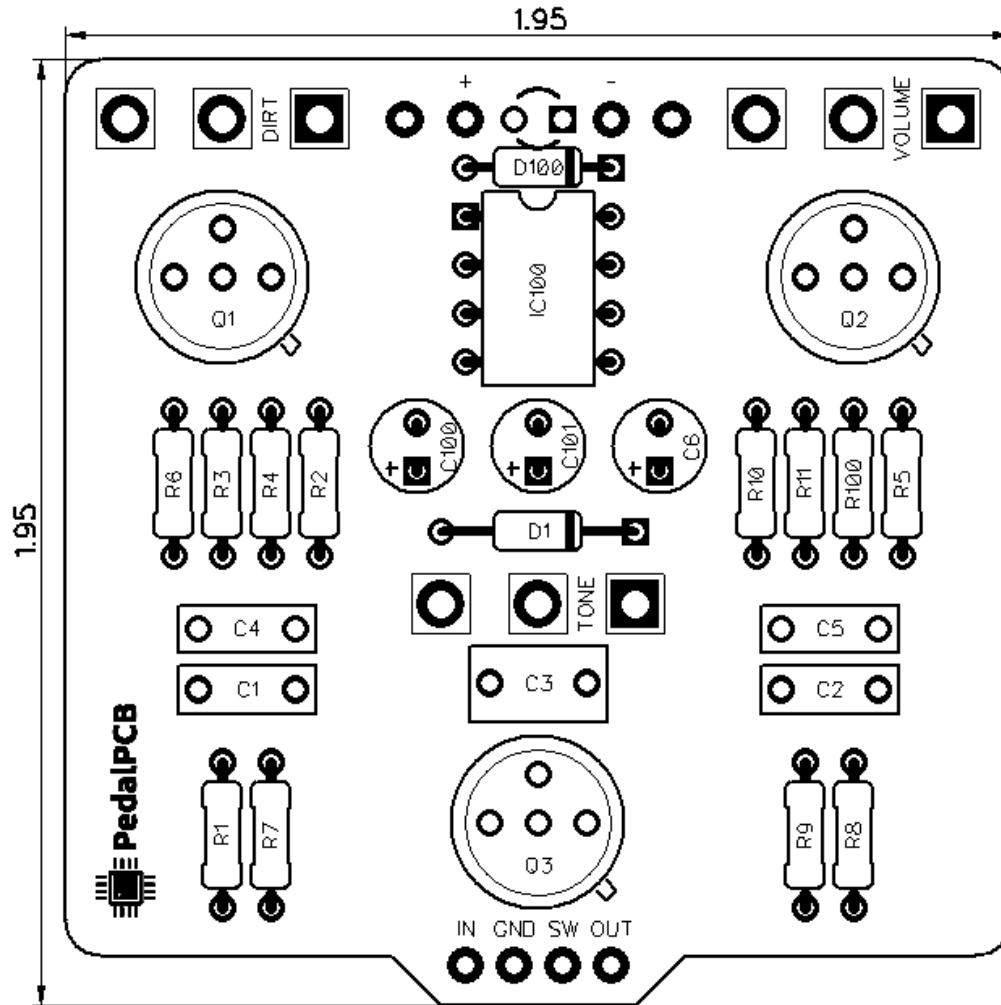




PedalPCB

Soul Vendor

Revision 08.31.19



Controls

- Volume
- Dirt
- Tone

All trademarks and registered trademarks are the property of their respective owners. The company, product, and service names used in this web site are for identification purposes only. Use of these names, logos, and brands does not imply endorsement.

RESISTORS (1/4W)

R1 1M
R2 47K
R3 220K
R4 10K
R5 3K3
R6 10K
R7 18K
R8 10K
R9 10K
R10 10K
R11 10K
R100 4K7

CAPACITORS

C1 100n
C2 100p
C3 220n
C4 100n
C5 10n
C6 10u
C100 10u
C101 22u

INTEGRATED CIRCUITS

IC100 TC1044SCPA

TRANSISTORS

Q1 NKT275*
Q2 NKT275*
Q3 NKT275*

DIODES

D1 1N270
D100 1N5817

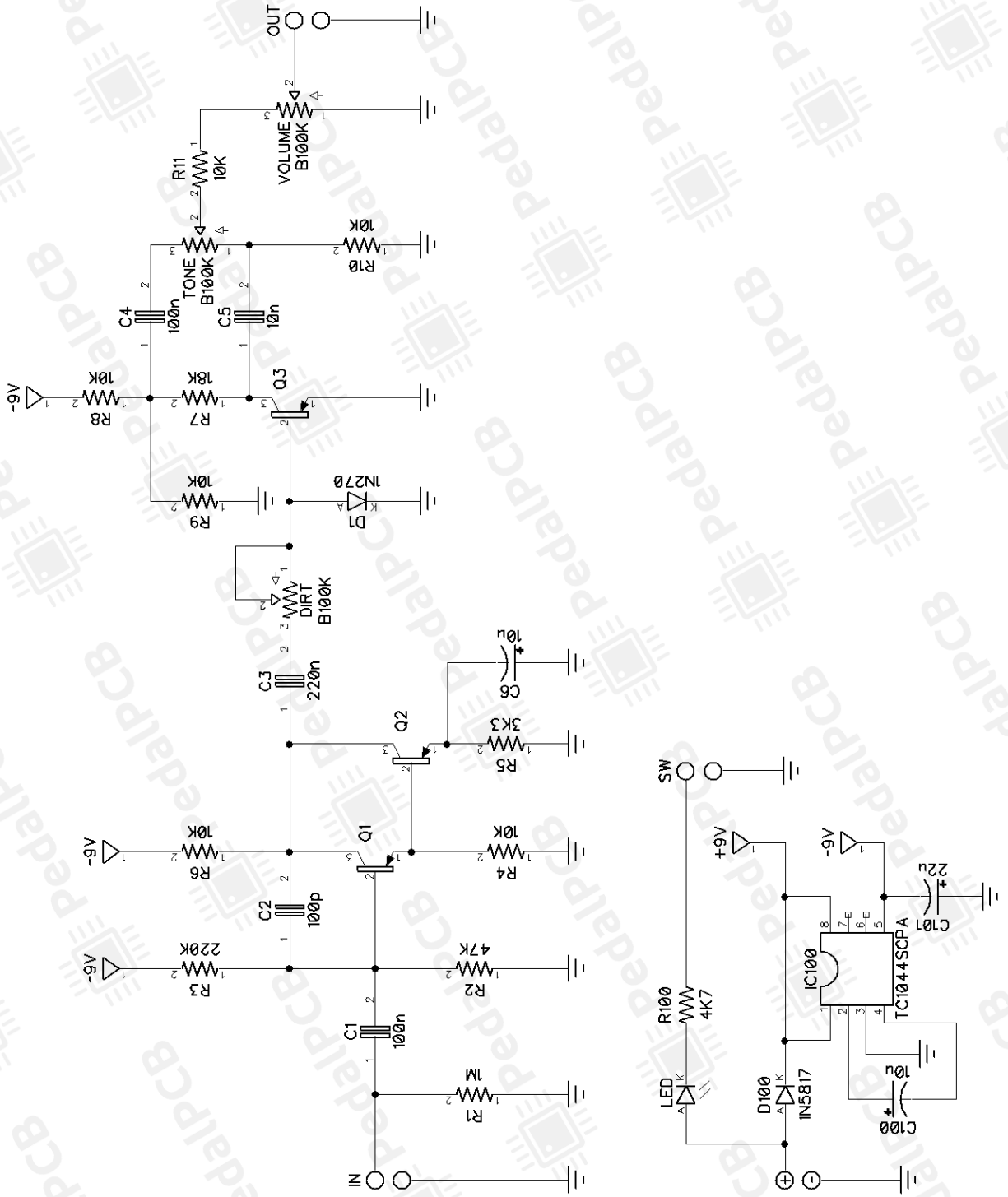
POTENTIOMETERS

VOLUME B100K
TONE B100K
DIRT B100K

**NKT275 or a ToneBender III compatible matched set*

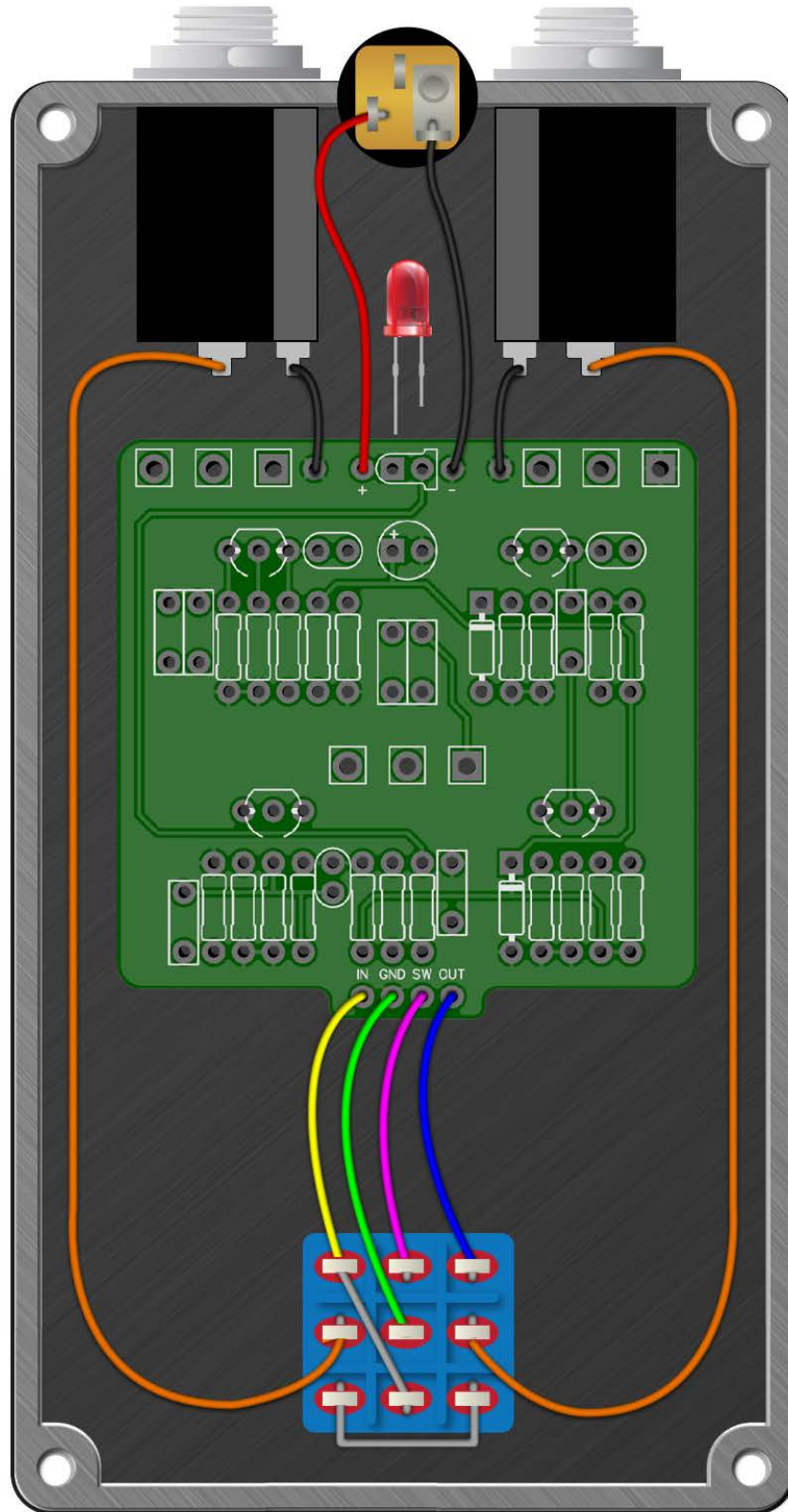


Soul Vendor



Soul Vendor

Wiring Diagram



Soul Vendor

Drill Template
125B enclosure with top mounted jacks

