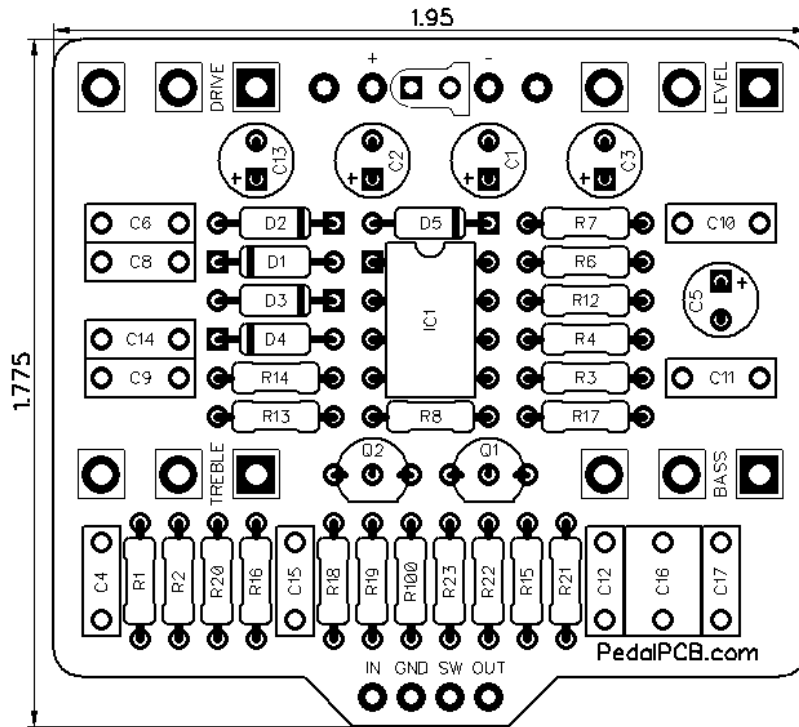


PedalPCB.com

Sherwood Overdrive

Revision 01.31.18



Resistors

| | |
|------|------|
| R1 | 1K |
| R2 | 1M |
| R3 | 150K |
| R4 | 1K |
| R6 | 10 |
| R7 | 1K |
| R8 | 4K7 |
| R12 | 150K |
| R13 | 4K7 |
| R14 | 470K |
| R15 | 47K |
| R16 | 47K |
| R17 | 1M |
| R18 | 33K |
| R19 | 6K2 |
| R20 | 6K2 |
| R21 | 6K2 |
| R22 | 6K2 |
| R23 | 33K |
| R100 | 4K7 |

Capacitors

| | |
|-----|------|
| C1 | 100u |
| C2 | 100u |
| C3 | 1u |
| C4 | 100p |
| C5 | 1u |
| C6 | 100p |
| C8 | 220n |
| C9 | 100n |
| C10 | 100n |
| C11 | 100p |
| C12 | 100n |
| C13 | 10u |
| C14 | 4n7 |
| C15 | 4n7 |
| C16 | 1u |
| C17 | 100n |

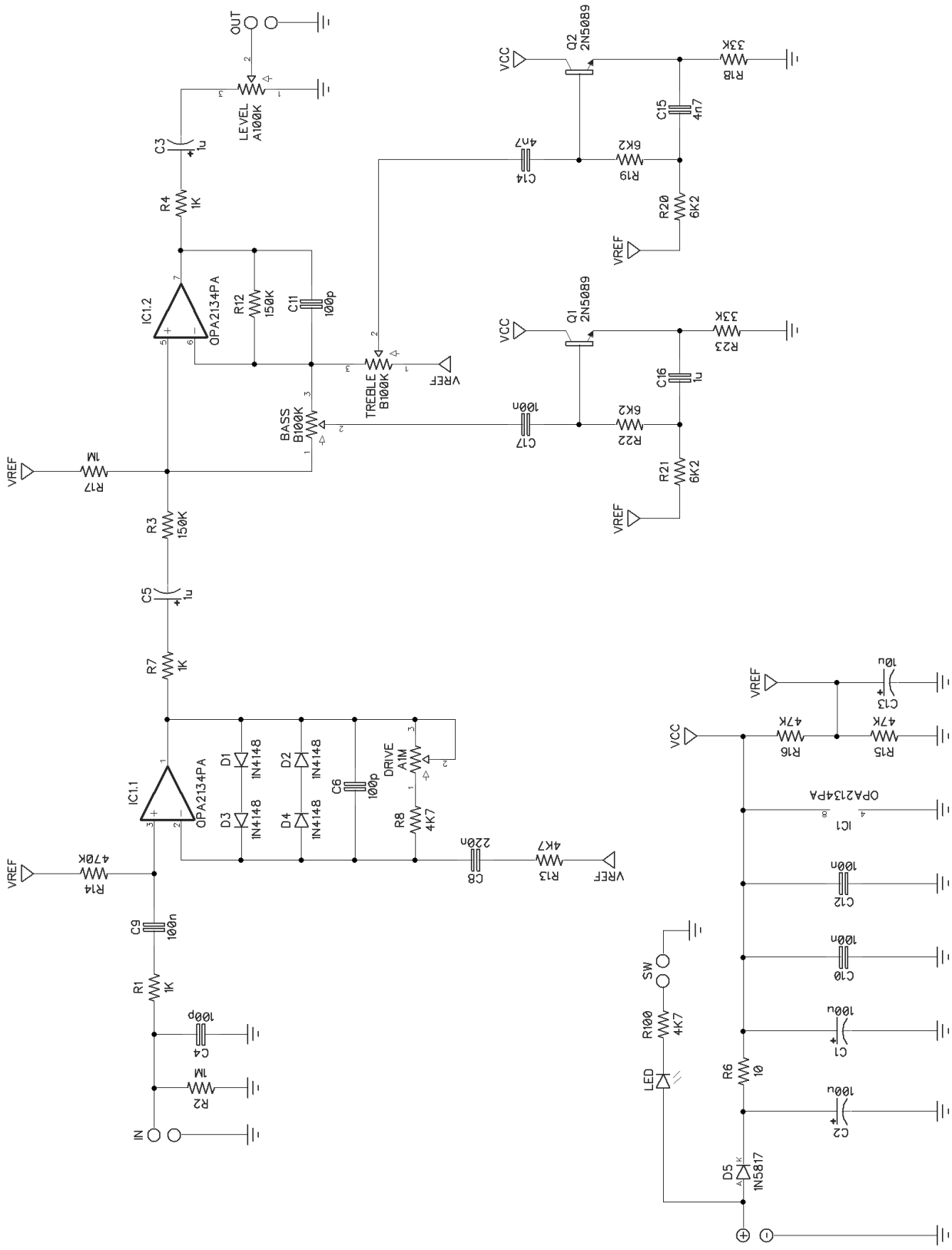
Semiconductors

| | |
|-----|-----------|
| IC1 | OPA2134PA |
| Q1 | 2N5089 |
| Q2 | 2N5089 |
| D1 | 1N4148 |
| D2 | 1N4148 |
| D3 | 1N4148 |
| D4 | 1N4148 |
| D5 | 1N5817 |

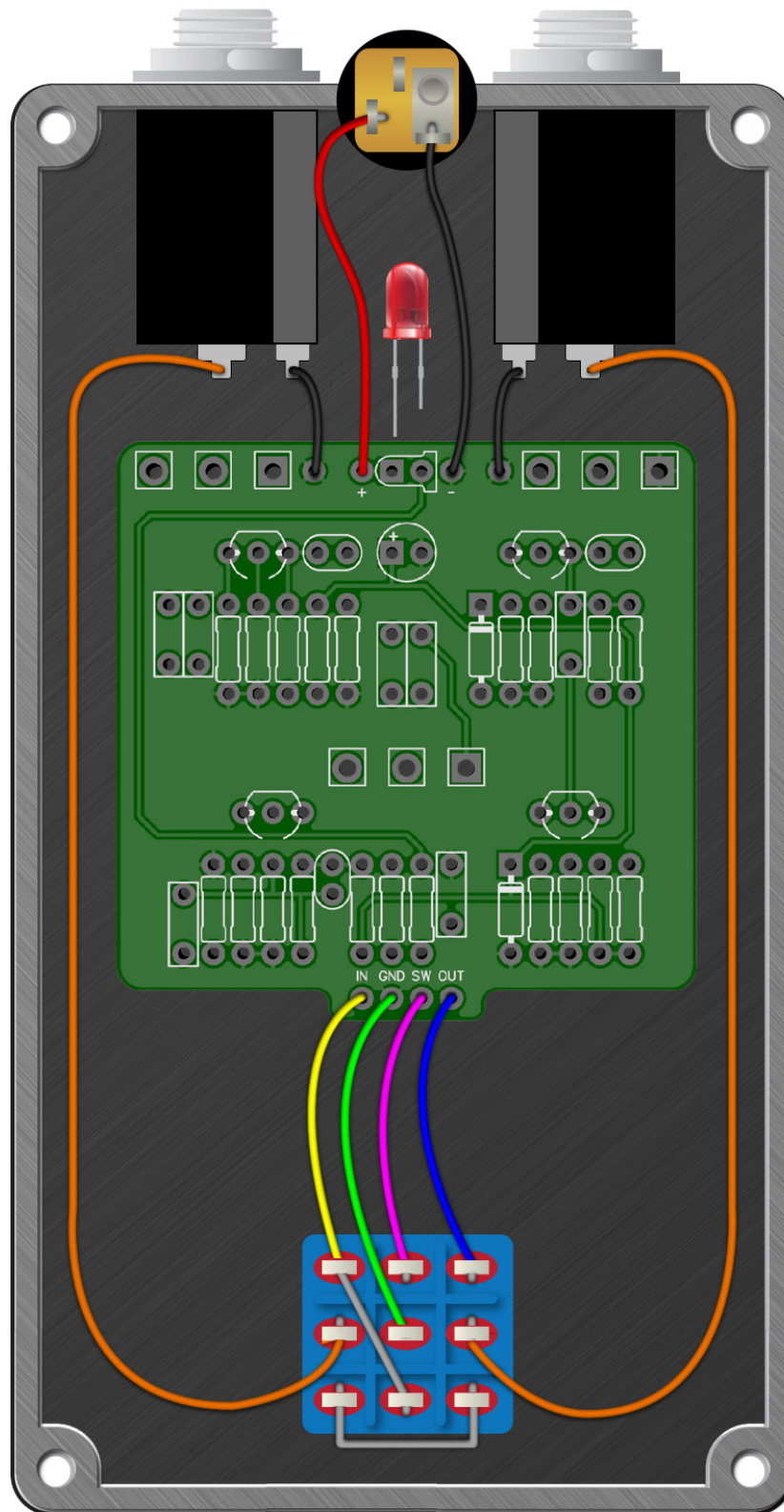
Potentiometers

| | |
|--------|-------|
| DRIVE | A1M |
| LEVEL | A100K |
| BASS | B100K |
| TREBLE | B100K |

Sherwood Overdrive



Wiring Diagram



Drill Template

4S125B enclosure with top mounted jacks

