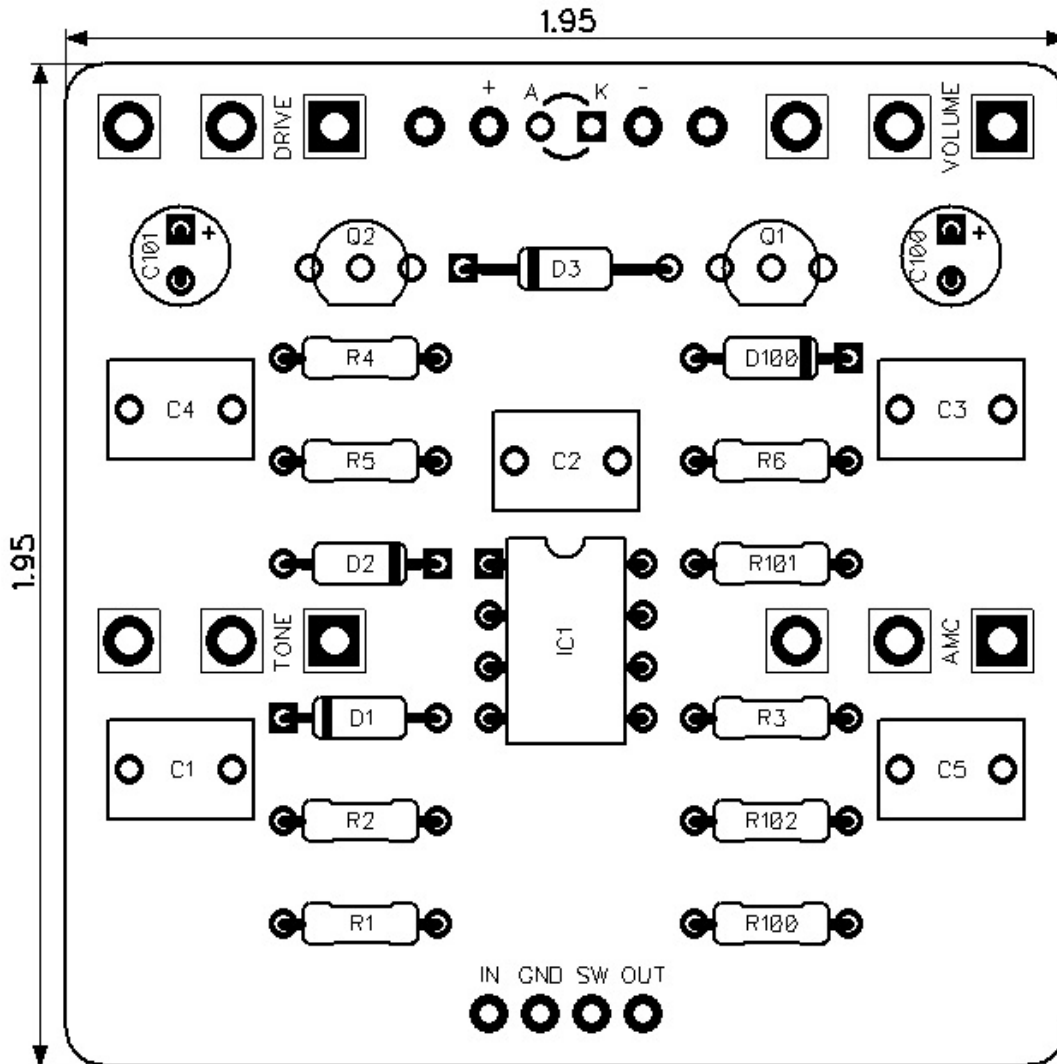


PedalPCB

Samadhi Overdrive

Revised 7/16/21



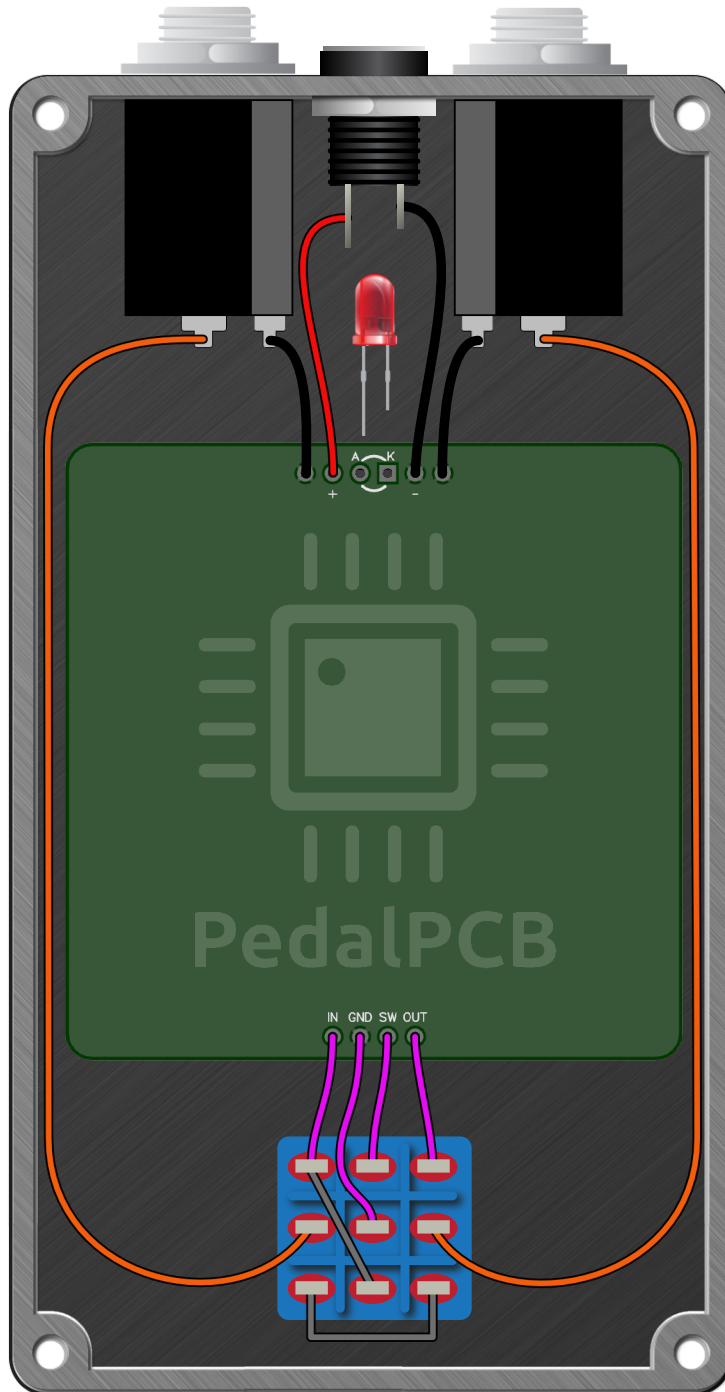
CONTROLS AND FEATURES

- Volume
- Drive
- AMC
- Tone

All trademarks and registered trademarks are the property of their respective owners. The company, product, and service names used in this web site are for identification purposes only. Use of these names, logos, and brands does not imply endorsement.

Samadhi Overdrive

Wiring Diagram



Samadhi Overdrive

Drill Template
125B Enclosure

