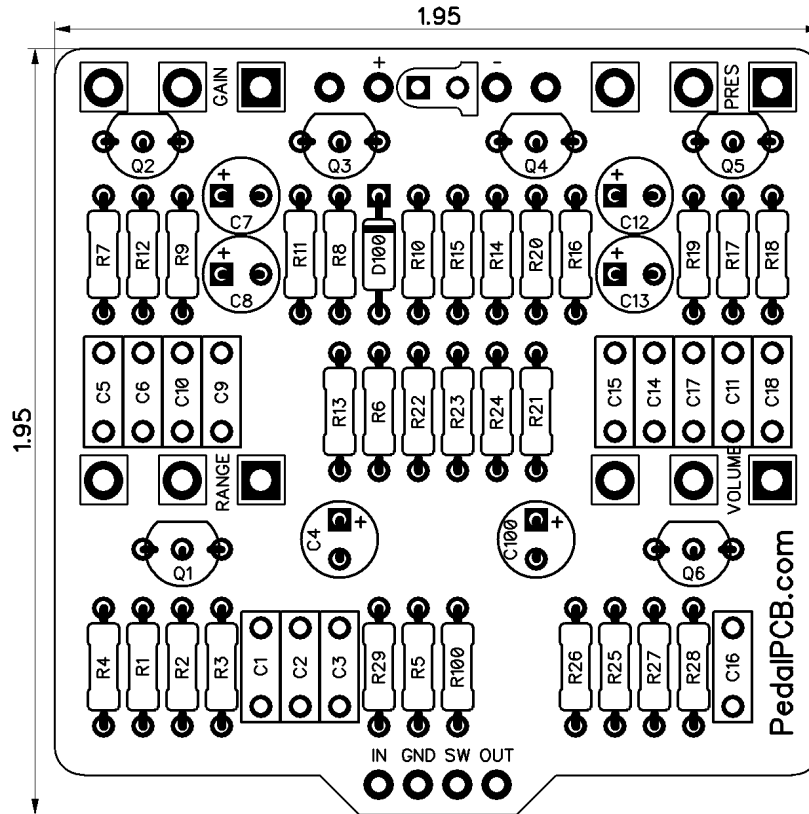


PedalPCB.com

Sabbath Distortion

Revision 11.04.17



Resistors

R1	220K
R2	68K
R3	10K
R4	4K7
R5	47
R6	1M
R7	33K
R8	1K
R9	750K
R10	1M
R11	1M
R12	1K5
R13	47K
R14	470K
R15	470K
R16	1K
R17	100K
R18	1M
R19	1M

R20	820
R21	56K
R22	220K
R23	33K
R24	22K
R25	1K
R26	2M2
R27	2M2
R28	4K7
R29	1M
R100	4K7

Capacitors

C1	68n
C2	4n7
C3	47p
C4	47u
C5	100n
C6	100n
C7	2u2
C8	22u
C9	22n
C10	47p
C11	270p
C12	2u2
C13	2u2
C14	22n
C15	22n
C16	22n
C17	220n
C18	10n
C100	100u

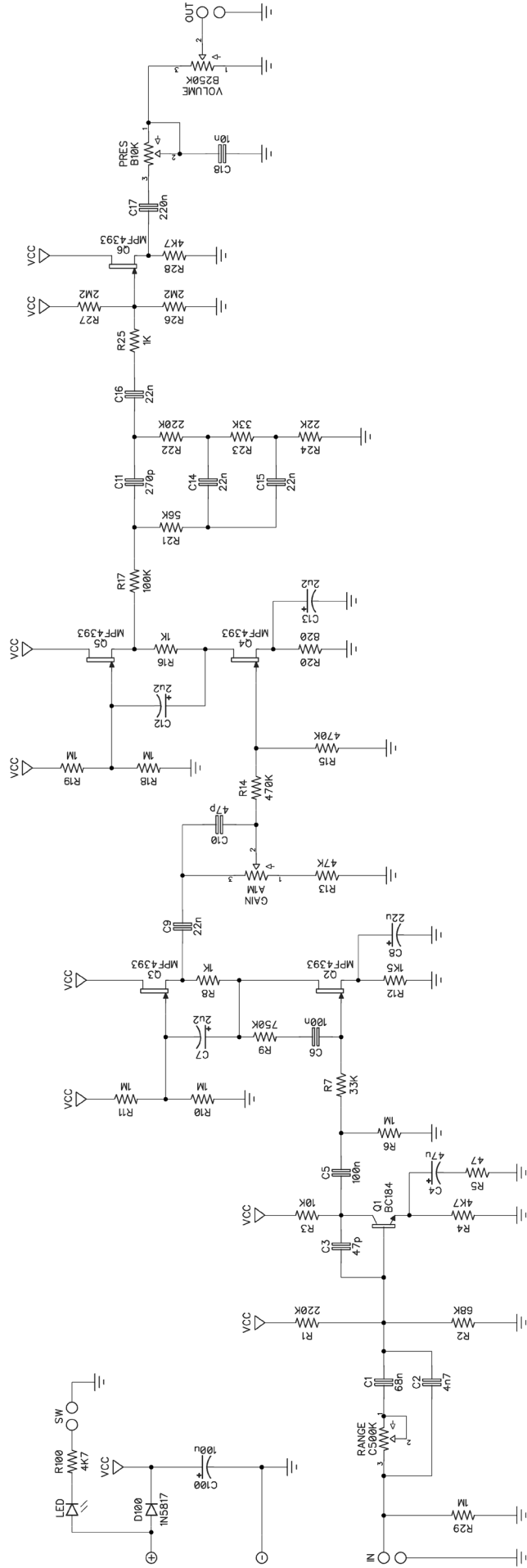
Semiconductors

Q1	BC184
Q2	MPF4393
Q3	MPF4393
Q4	MPF4393
Q5	MPF4393
Q6	MPF4393
D100	1N5817
LED	3mm

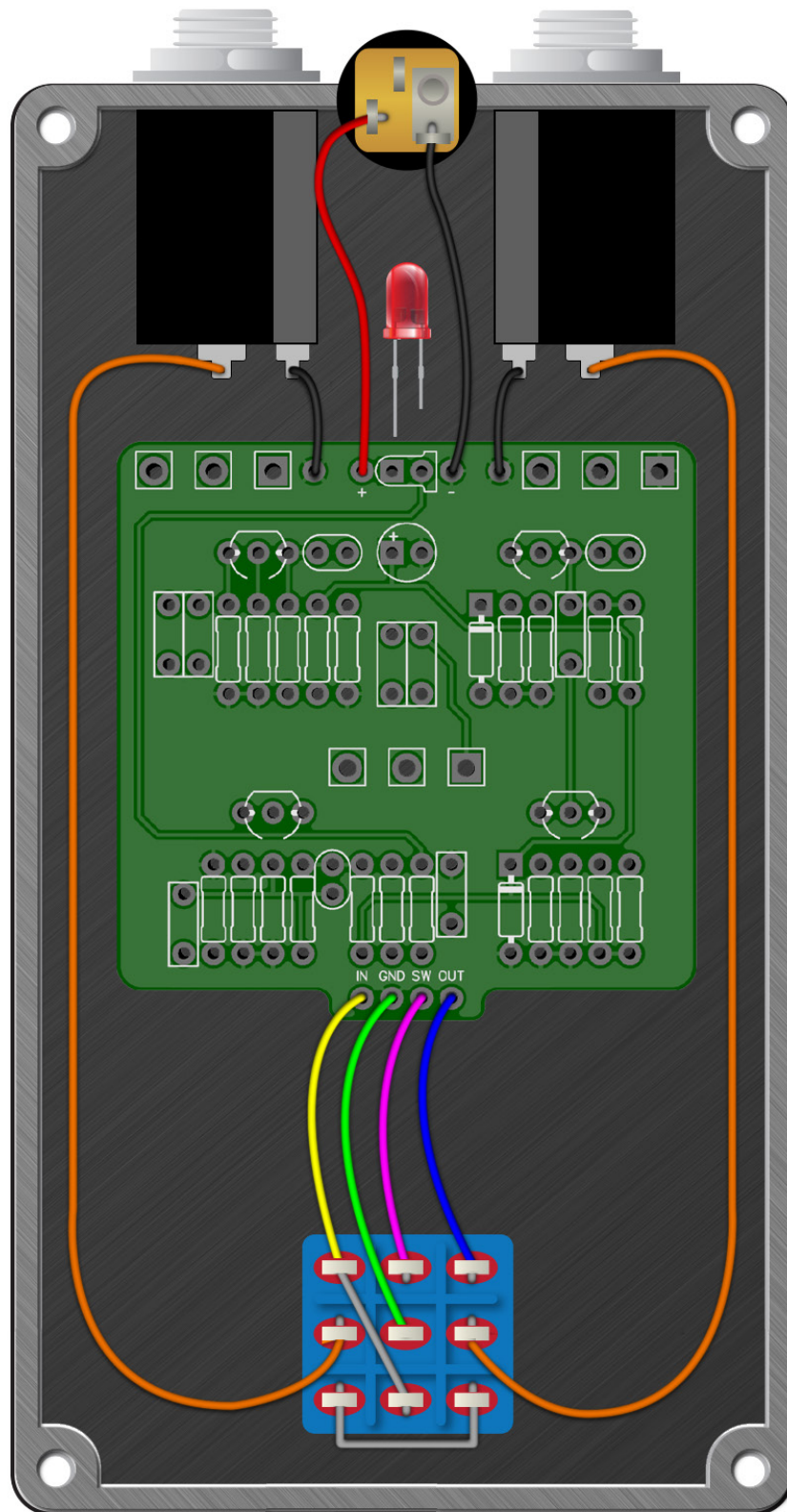
Potentiometers

VOLUME	B250K
GAIN	A1M
RANGE	C500K
PRES	B10K

Sabbath Distortion



Wiring Diagram



Drill Template

4S125B enclosure with top mounted jacks

