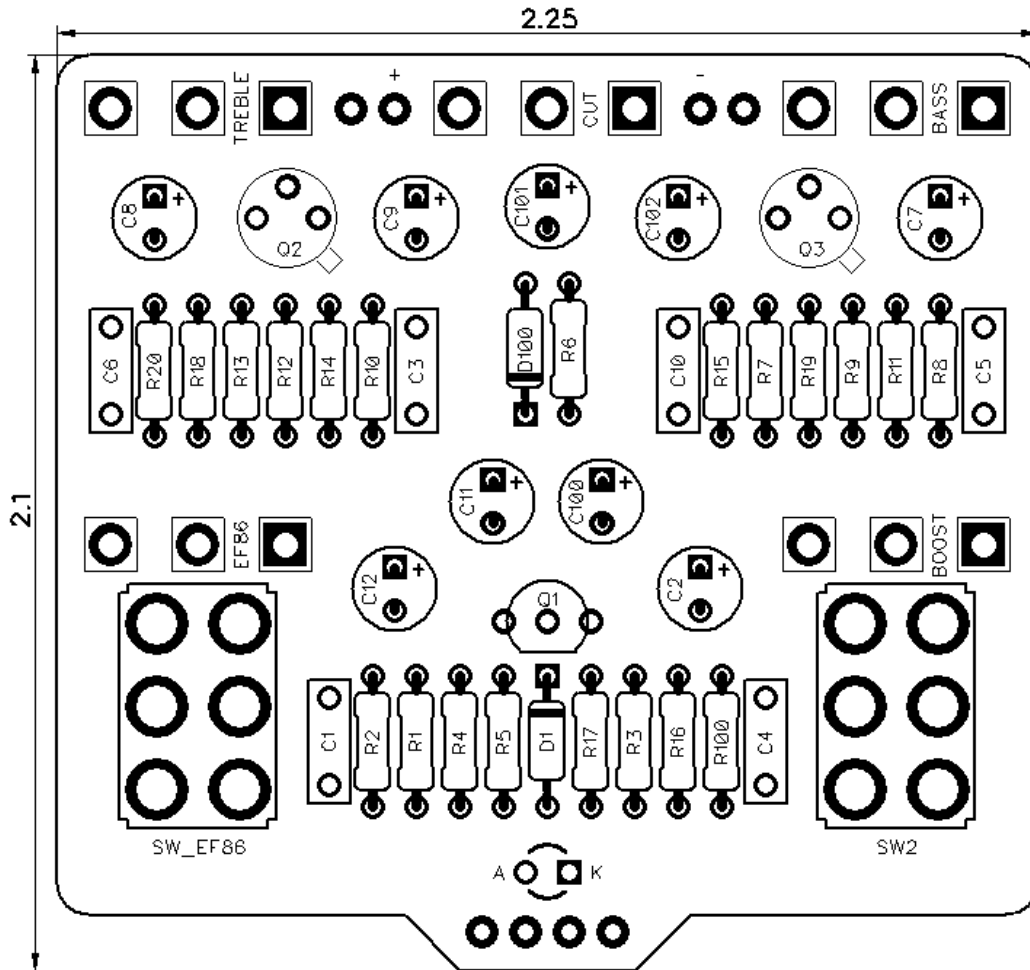




PedalPCB

Pop Top Boost

Revision 08.31.19



Controls

- Level
- Tone
- Gain
- Clipping (Toggle switch)

All trademarks and registered trademarks are the property of their respective owners. The company, product, and service names used in this web site are for identification purposes only. Use of these names, logos, and brands does not imply endorsement.

Pop Top Boost

Parts List

RESISTORS (1/4W)

R1	10K
R2	220K
R3	1K
R4	5K1
R5	10M
R6	470R
R7	100R
R8	220K
R9	47K
R10	1K
R11	150R
R12	820R
R13	100K
R14	100R
R15	100K
R16	1K
R17	10M
R18	100R
R19	100K
R20	33K
R100	4K7

CAPACITORS

C1	100n
C2	10u
C3	33n
C4	470p
C5	100n
C6	6n8
C7	2u2
C8	10u
C9	10u
C10	100n
C11	100u
C12	1u
C100	100u
C101	100u
C102	100u

TRANSISTORS

Q1	BS170
Q2	2N708
Q3	2N708

DIODES

D1	9V1
D100	1N5817

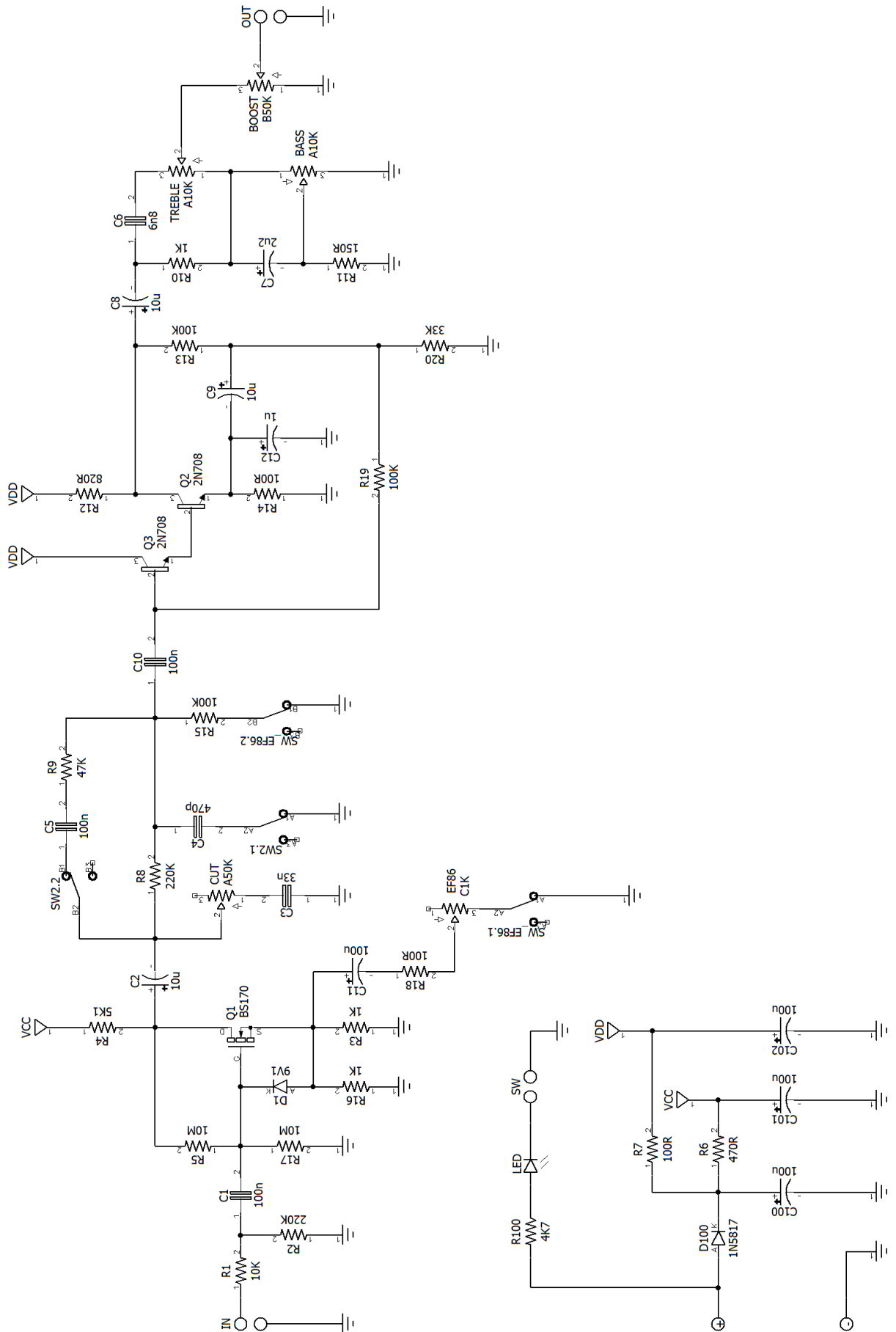
POTENTIOMETERS

BOOST	B50K
CUT	A50K
TREBLE	A10K
BASS	A10K
EF86	C1K

SWITCHES

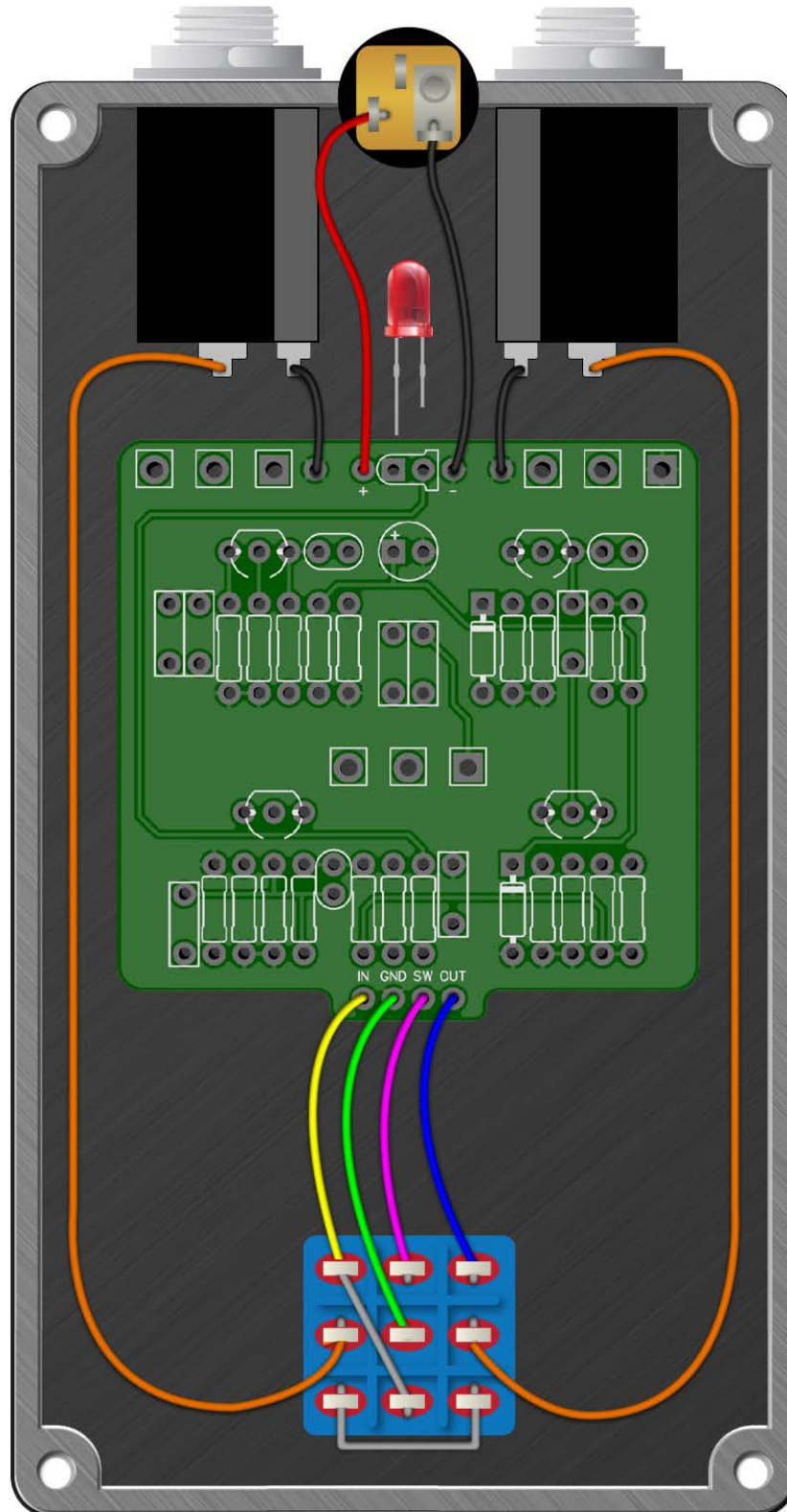
SW_EF86	DPDT (On/On)
SW2	DPDT (On/On)

Pop Top Boost



Pop Top Boost

Wiring Diagram



Pop Top Boost

Drill Template
125B enclosure with top mounted jacks

