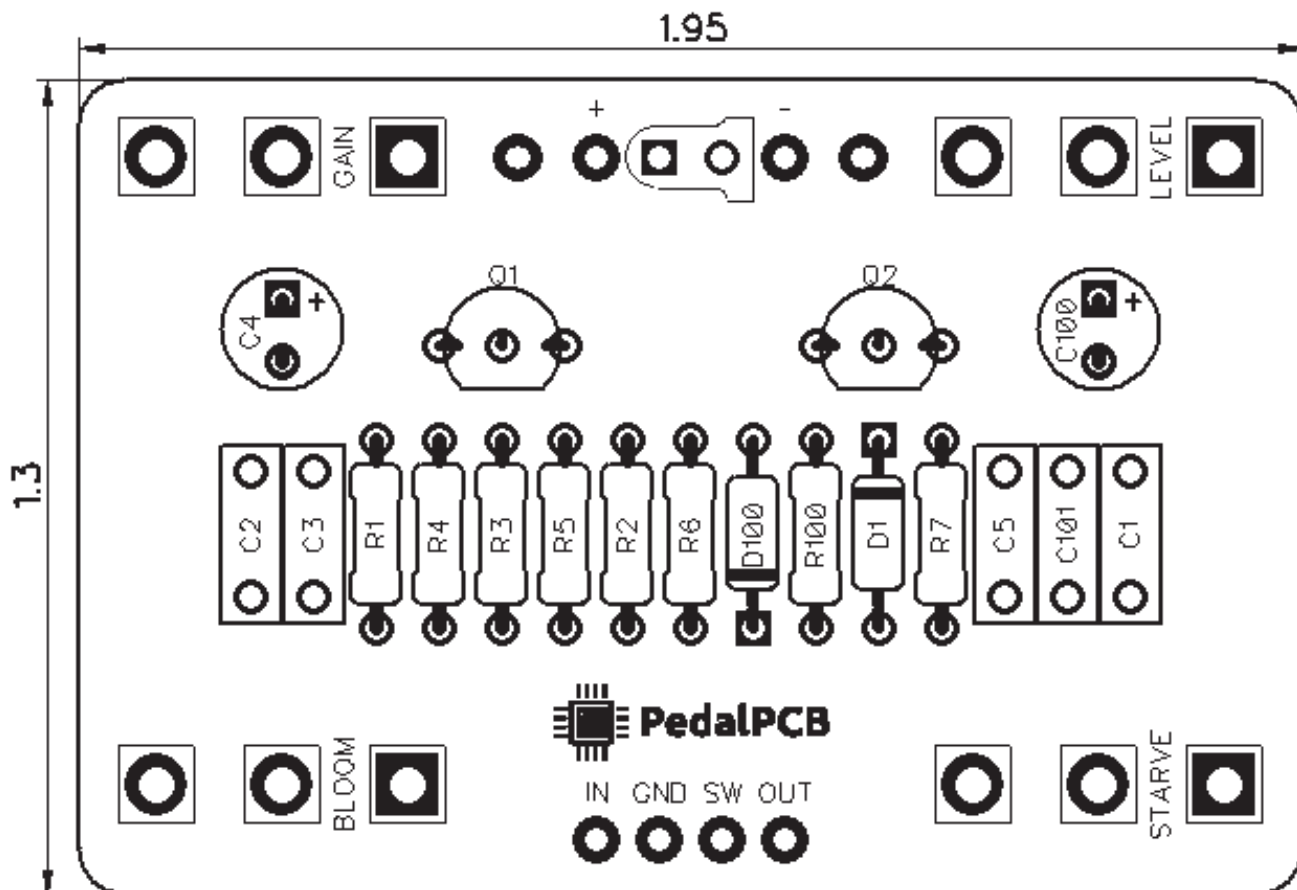




# PedalPCB

## Plecostomus Fuzz

Revision 12.16.18



### Controls

- Level
- Gain
- Bloom
- Starve

# Plecostomus Fuzz

## Parts List

**RESISTORS (1/4W)**

R1 1K  
R2 1M  
R3 2M2  
R4 1K  
R5 47K  
R6 1M  
R7 100K  
R100 4K7

**CAPACITORS**

C1 470p  
C2 100n  
C3 100n  
C4 2u2  
C5 100n  
C100 100u  
C101 47n

**TRANSISTORS**

Q1 2N5089  
Q2 2N5089

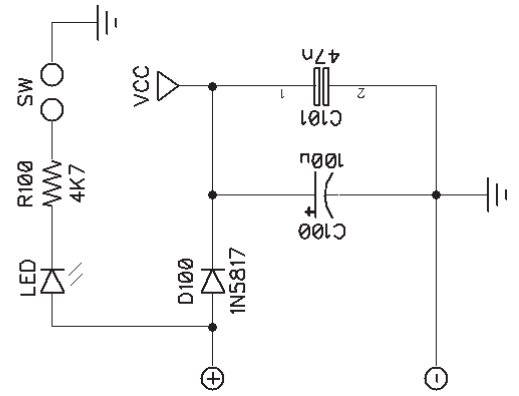
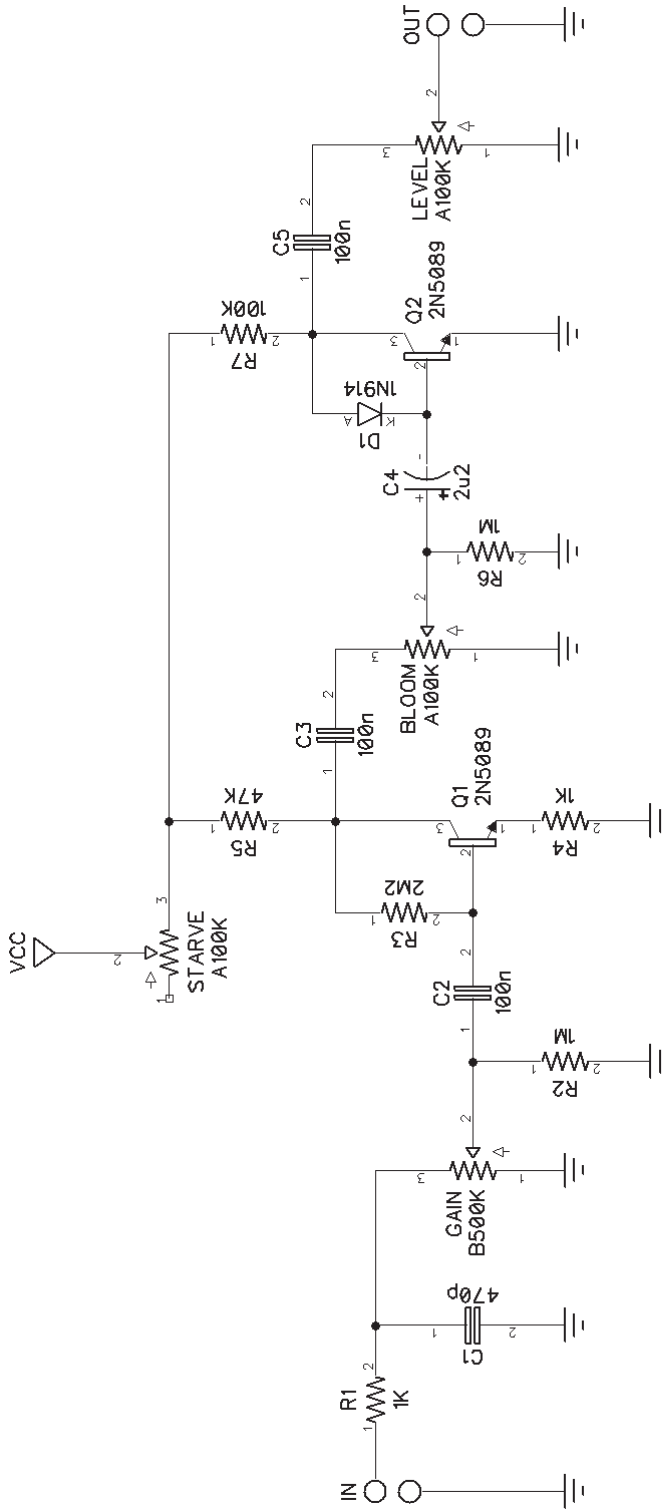
**DIODES**

D100 1N5817  
D1 1N914

**POTENTIOMETERS**

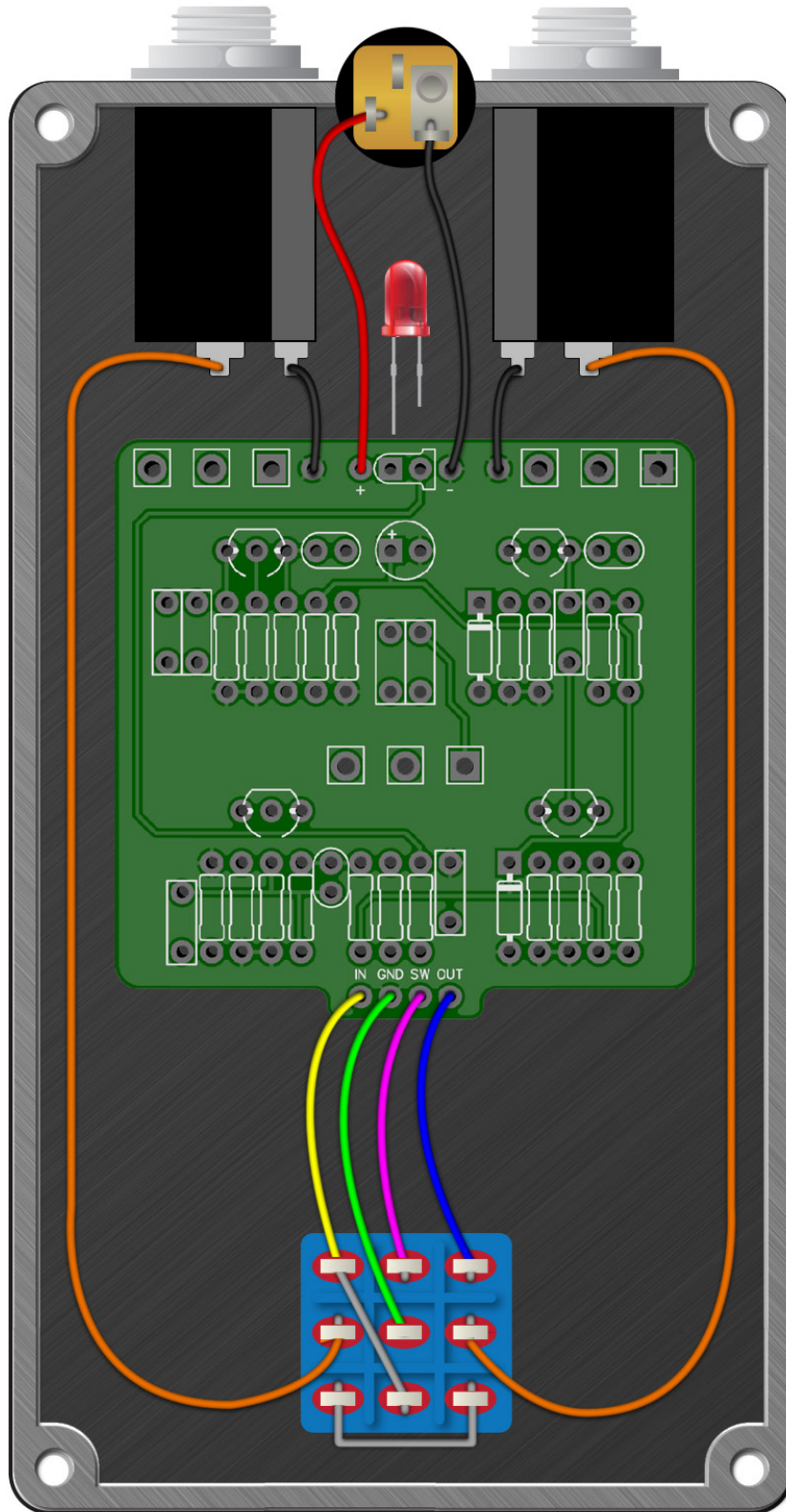
LEVEL A100K  
GAIN B500K  
BLOOM A100K  
STARVE A100K

# Plecostomus Fuzz



# Plecostomus Fuzz

Wiring Diagram



# Plecostomus Fuzz

Drill Template  
125B enclosure with top mounted jacks

