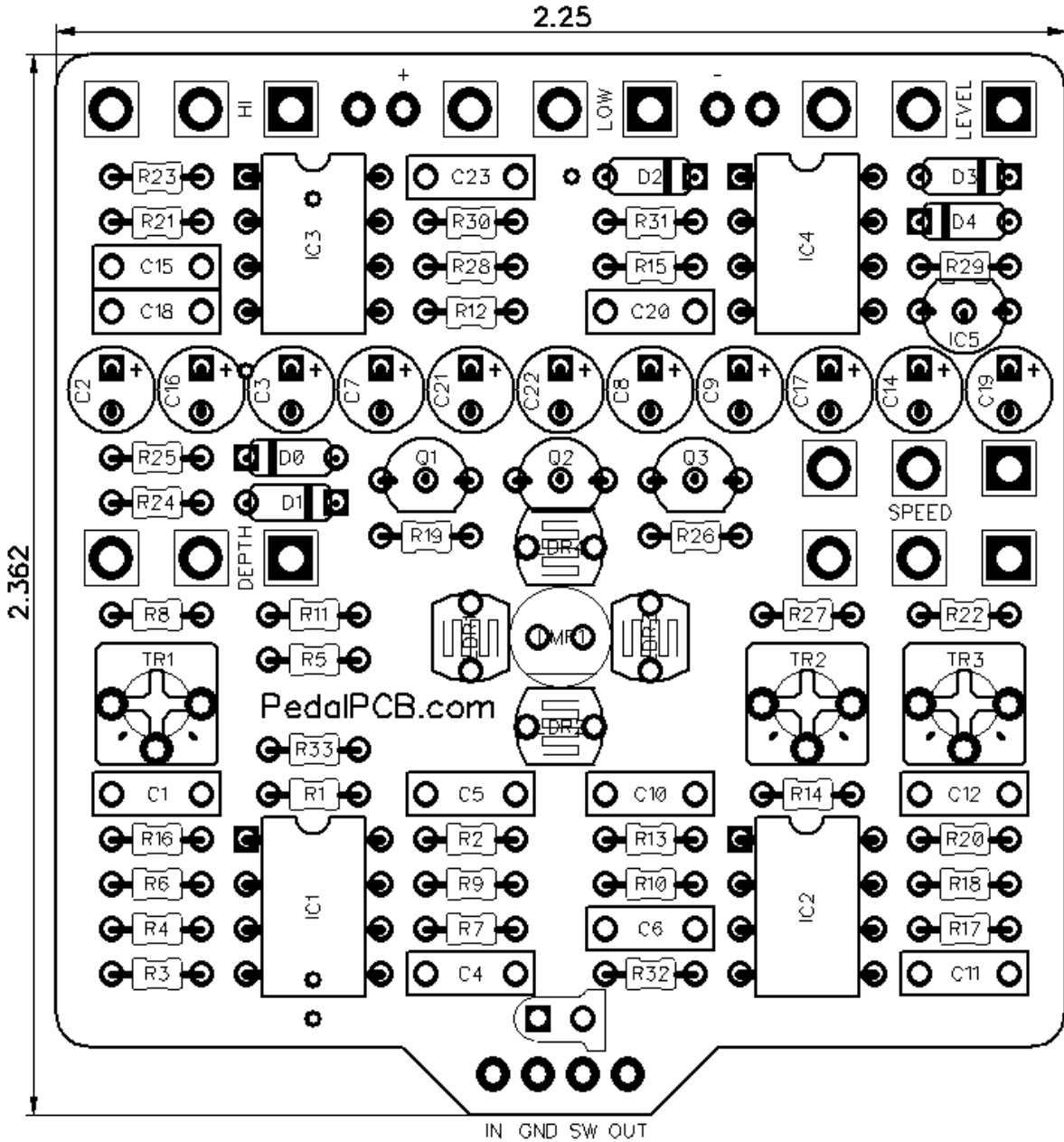




PedalPCB

Photon Vibe

Revision 05.16.19



All trademarks and registered trademarks are the property of their respective owners. The company, product, and service names used in this web site are for identification purposes only. Use of these names, logos, and brands does not imply endorsement.

Copyright © 2019 - PedalPCB.com



Photon Vibe

Parts List

RESISTORS (1/8W)

R1 22K
R2 100K
R3 100K
R4 47K
R5 47K
R6 47K
R7 47K
R8 6K8
R9 47K
R10 47K
R11 3K3
R12 2M2
R13 47K
R14 4K7
R15 4K7
R16 47K
R17 47K
R18 47K
R19 4K7
R20 47K
R21 47K
R22 4K7
R23 47K
R24 4K7
R25 100K
R26 4K7
R27 100R
R28 120K
R29 100R
R30 1M
R31 1K
R32 10K
R33 1M

CAPACITORS

C1 2n2
C2 10u
C3 2u2
C4 15n
C5 100p
C6 220n
C7 1u
C8 1u
C9 1u
C10 100p
C11 470p
C12 100p
C14 33u
C15 4n7
C16 33u
C17 10u
C18 22n
C19 220u
C20 100n
C21 2u2
C22 47u
C23 100n

SEMICONDUCTORS

IC1 TL072
IC2 TL072
IC3 TL072
IC4 MAX1044
IC5 L78L15

Q1 2N5088
Q2 2N5088
Q3 2N5088

D0 1N914
D1 1N914
D2 1N5817
D3 1N5817
D4 1N5817

OPTICAL

LDR1 Silonex 7532
LDR2 Silonex 7532
LDR3 Silonex 7532
LDR4 Silonex 7532
LMP1 CM7371

POTENTIOMETERS

DEPTH B50K
SPEED C100K DUAL
HI B50K
LOW C500K
LEVEL C500K

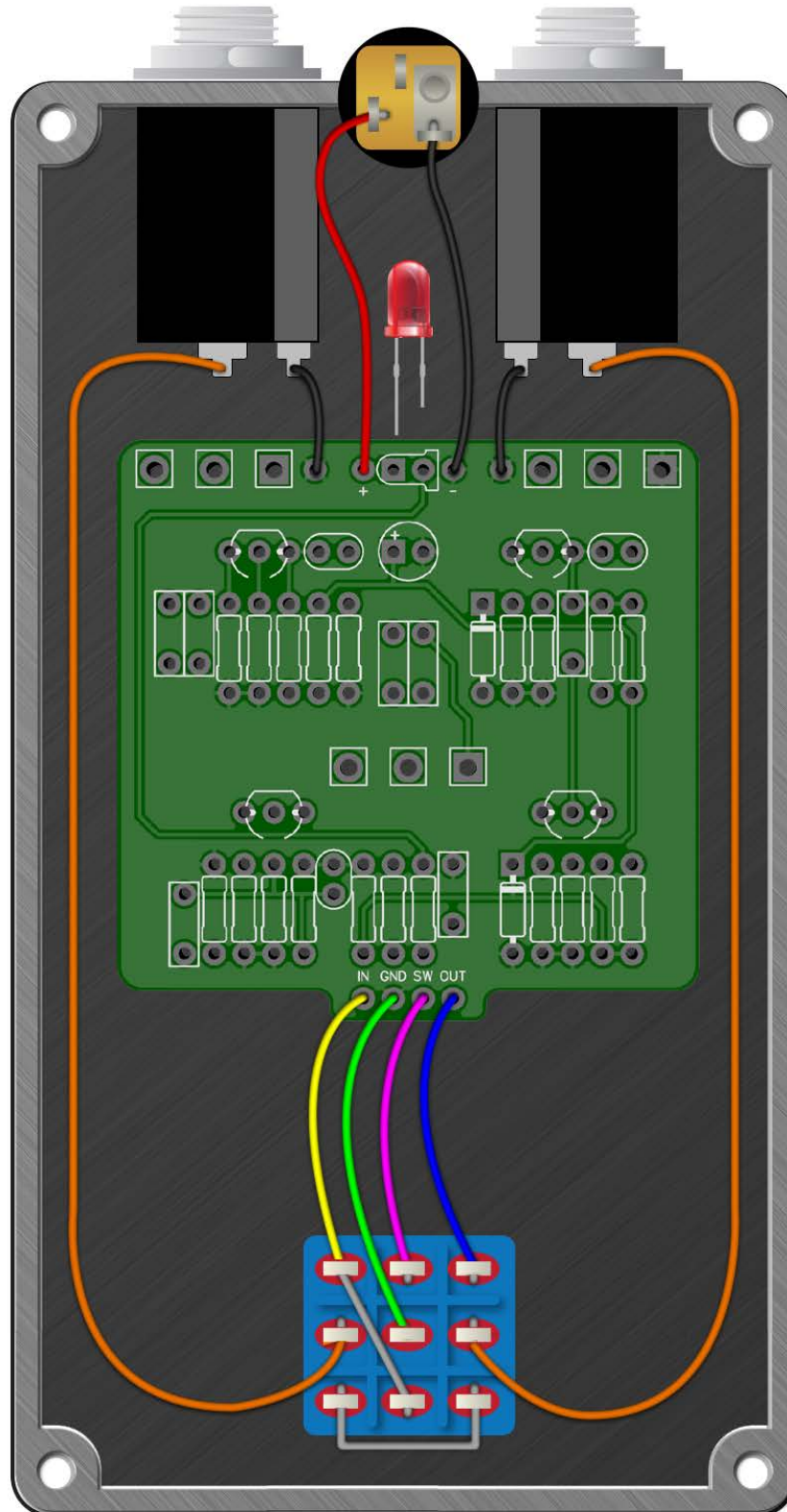
TRIM POTS

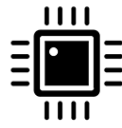
TR1 100K Trim (3362P)
TR2 500R Trim (3362P)
TR3 100K Trim (3362P)

Common offboard components (enclosure, footswitch, jacks, etc) are not listed



Wiring Diagram





PedalPCB

Drill Template

4S125B enclosure with top mounted jacks

