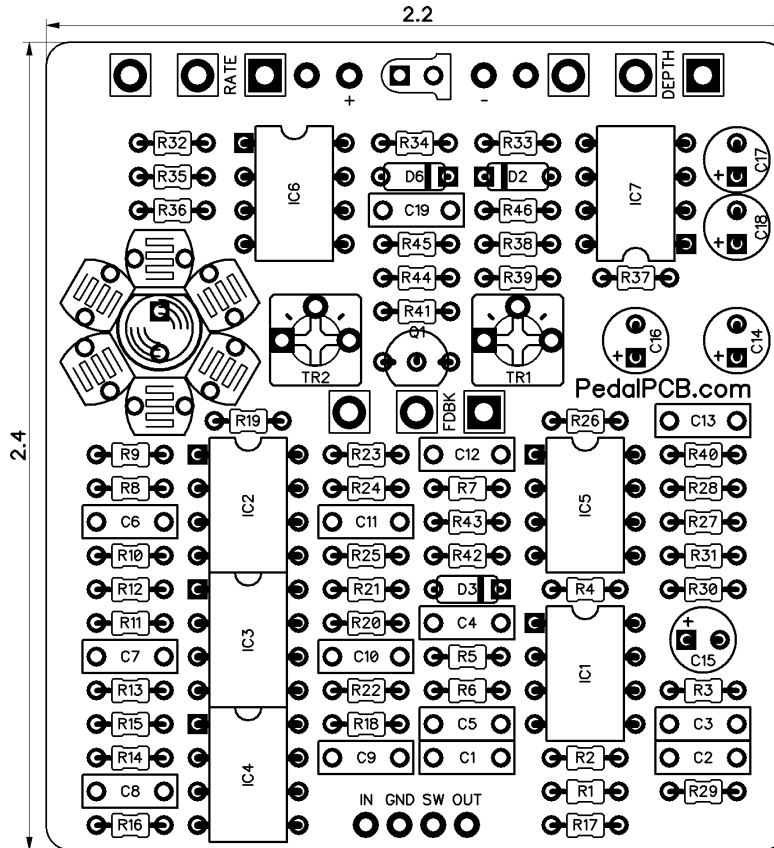




Phase II

Revision 12.30.19



Resistors

R1	390K	R20	4K7
R2	3K9	R21	4K7
R3	390K	R22	220K
R4	4K7	R23	4K7
R5	4K7	R24	4K7
R6	4K7	R25	220K
R7	8K2	R26	10K
R8	4K7	R27	8K2
R9	4K7	R28	18K
R10	220K	R29	560
R11	4K7	R30	10K
R12	4K7	R31	8K2
R13	220K	R32	68K
R14	4K7	R33	4K7
R15	4K7	R34	120
R16	220K	R35	39K
R17	4K7	R36	47K
R18	4K7	R37	560
R19	220K	R38	68K

Capacitors

R39	47K	C1	100nF
R40	2K2	C2	47pF
R41	2K2	C3	100nF
R42	10K	C4	1nF
R43	68K	C5	3.3nF
R44	220K	C6	6.8nF
R45	330	C7	6.8nF
R46	3K9	C8	6.8nF
		C9	6.8nF
		C10	6.8nF
		C11	6.8nF
		C12	470nF
		C13	820pF
		C14	10uF
		C15	1uF
		C16	220uF
		C17	10uF
		C18	10uF
		C19	470nF

Semiconductors

IC1	TL072
IC2	TL072
IC3	TL072
IC4	TL072
IC5	TL072
IC6	TL072
IC7	TC1044SCPA
Q1	2N4401
D1	3mm LED
D2	1N4148
D3	1N4148
D4	Yellow LED
D6	1N5817

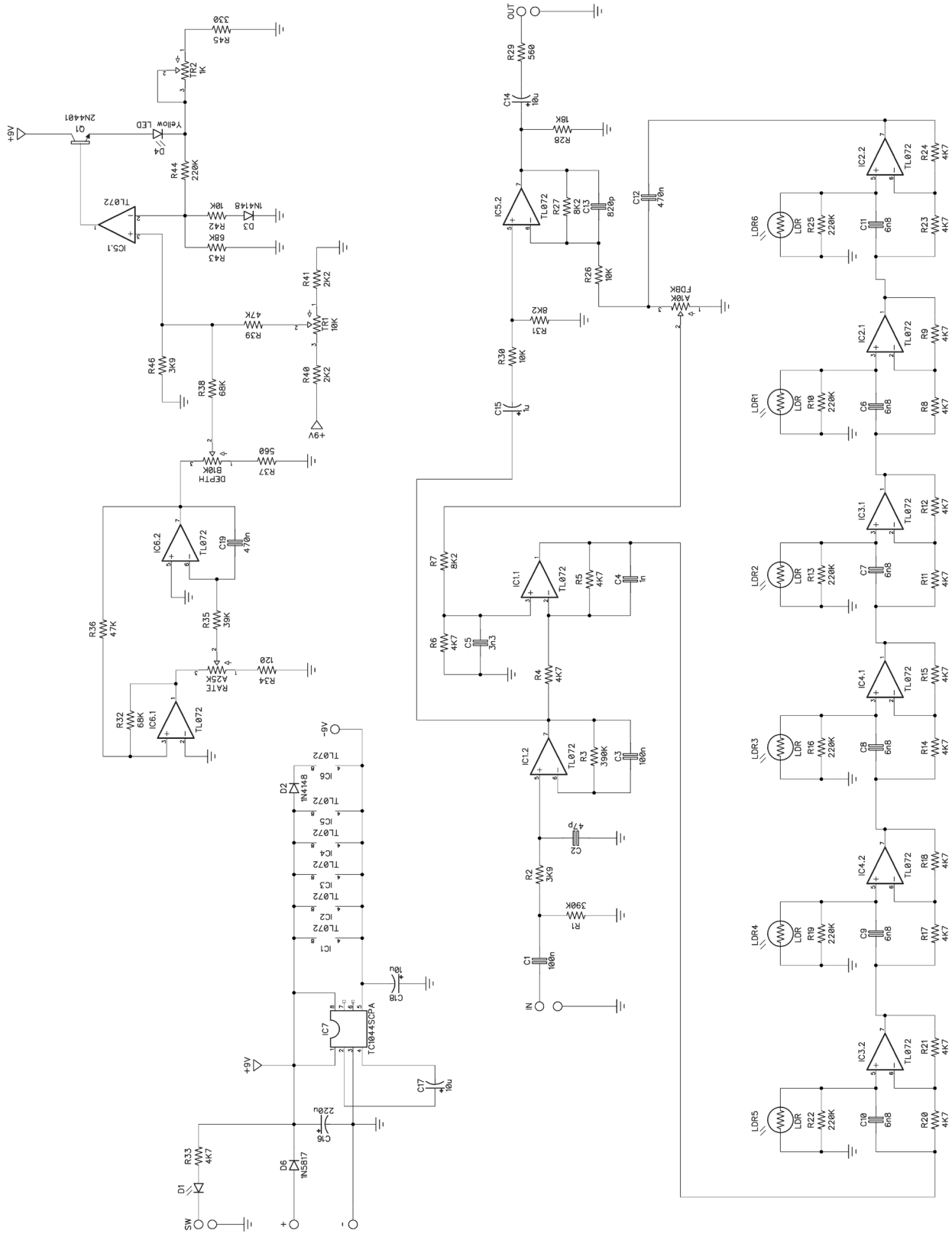
Potentiometers

DEPTH	B10K
RATE	A25K
FDBK	A10K
TR1	10K
TR2	1K

LDR

LDR1	KE-10720
LDR2	KE-10720
LDR3	KE-10720
LDR4	KE-10720
LDR5	KE-10720
LDR6	KE-10720

Phase II



Wiring Diagram

