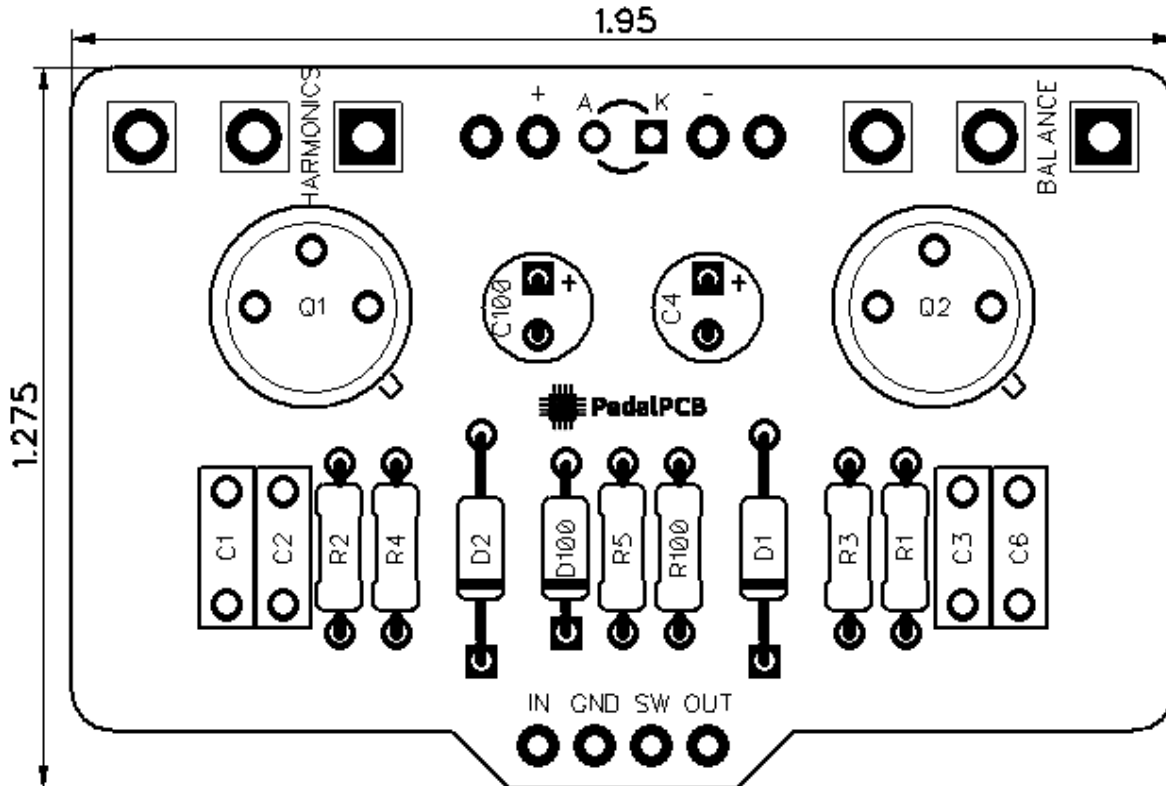


# PedalPCB

## Percolation Station

Revision 09.01.19



### Controls

- Harmonics
- Balance

All trademarks and registered trademarks are the property of their respective owners. The company, product, and service names used in this web site are for identification purposes only. Use of these names, logos, and brands does not imply endorsement.

# Percolation Station

## Parts List

**RESISTORS (1/4W)**

R1 750K  
R2 220K  
R3 91K  
R4 20K  
R5 4K7  
R100 4K7

**CAPACITORS**

C1 100p  
C2 50n  
C3 100n  
C4 47u  
C6 100n  
C100 47u

**TRANSISTORS**

Q1 2N404A  
Q2 2N3565

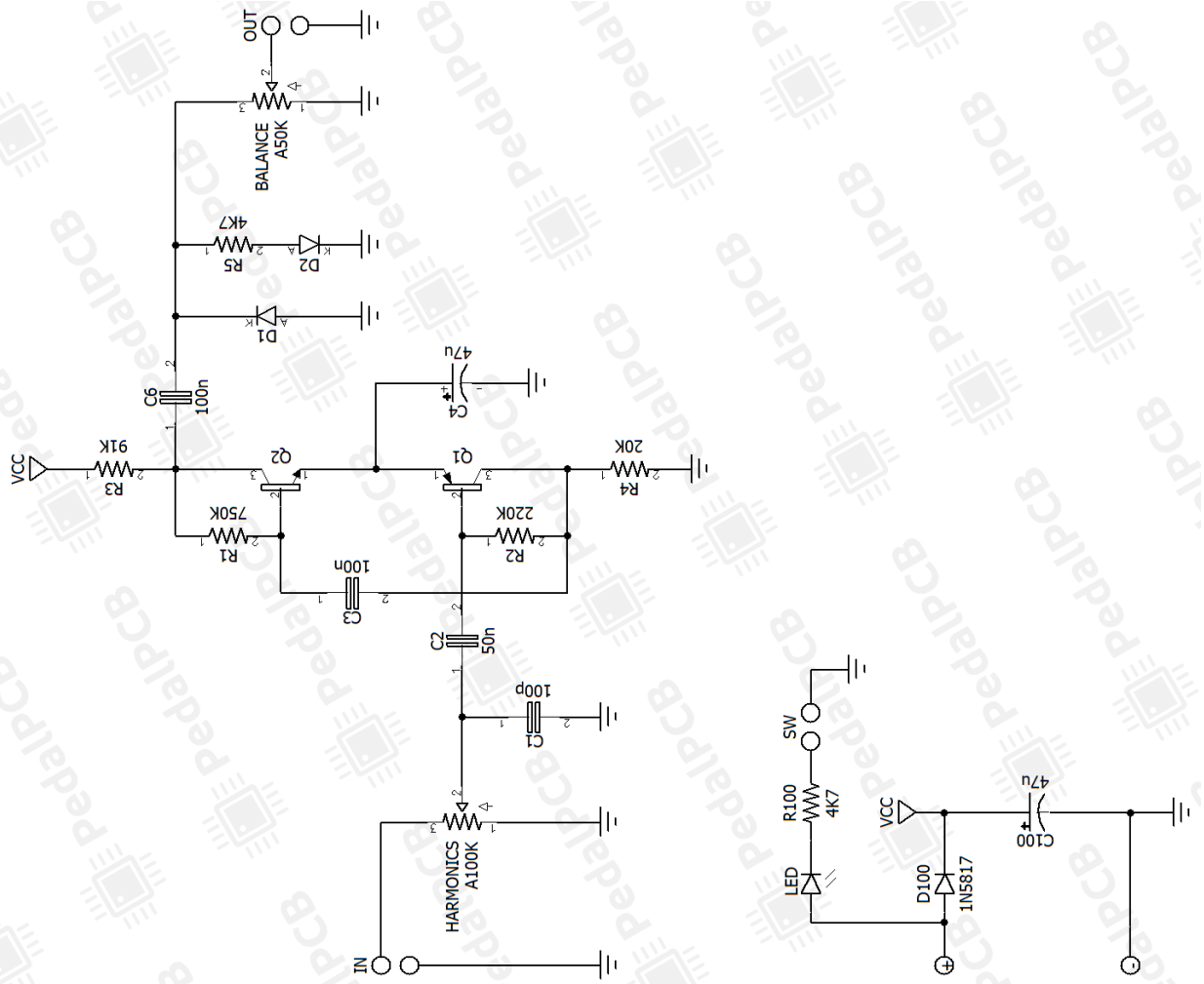
**DIODES**

D1 GE  
D2 GE  
D100 1N5817

**POTENTIOMETERS**

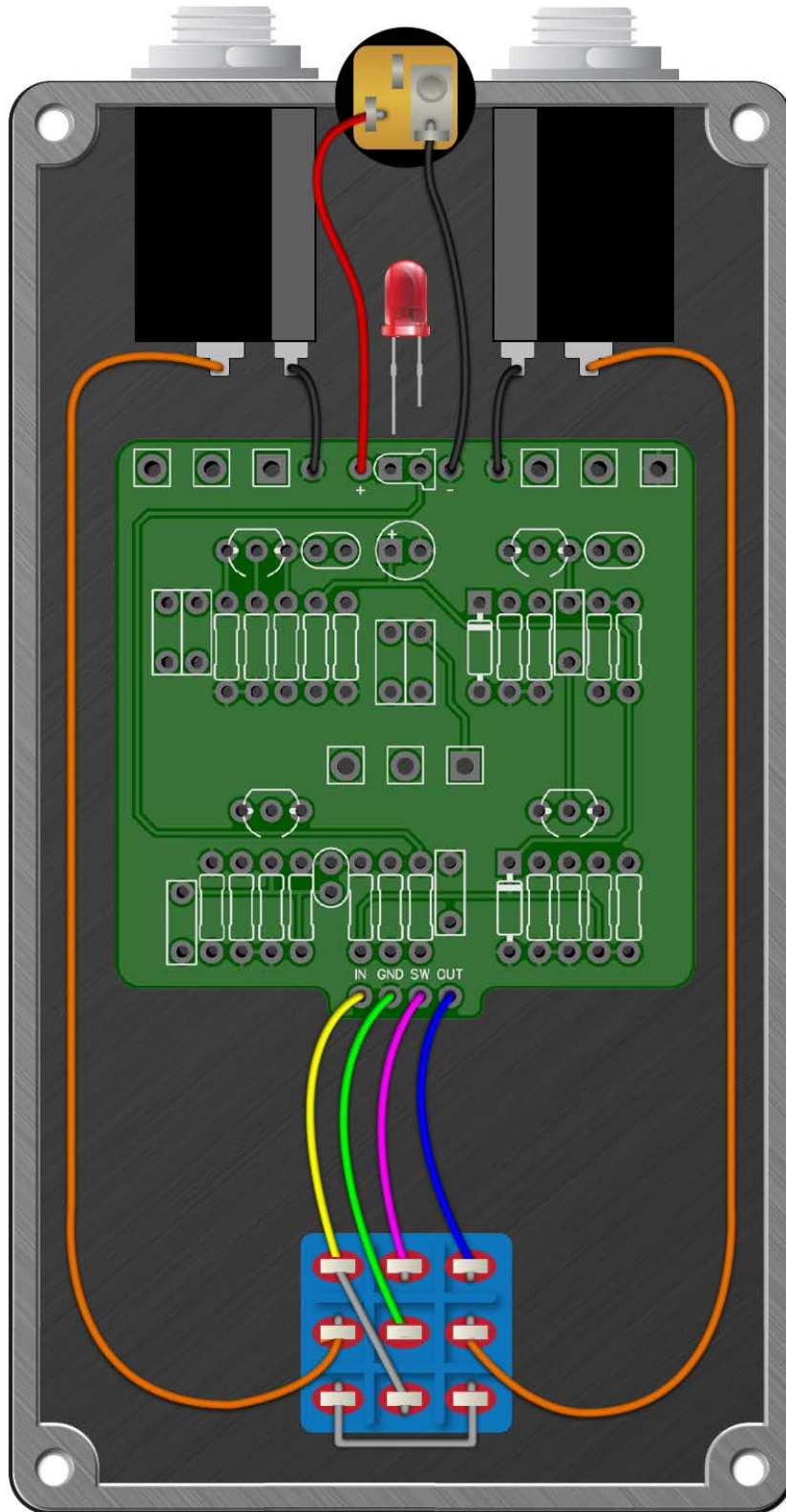
HARMONICS A100K  
BALANCE A50K

# Percolation Station



# Percolation Station

Wiring Diagram



# Percolation Station

Drill Template  
125B enclosure with top mounted jacks

