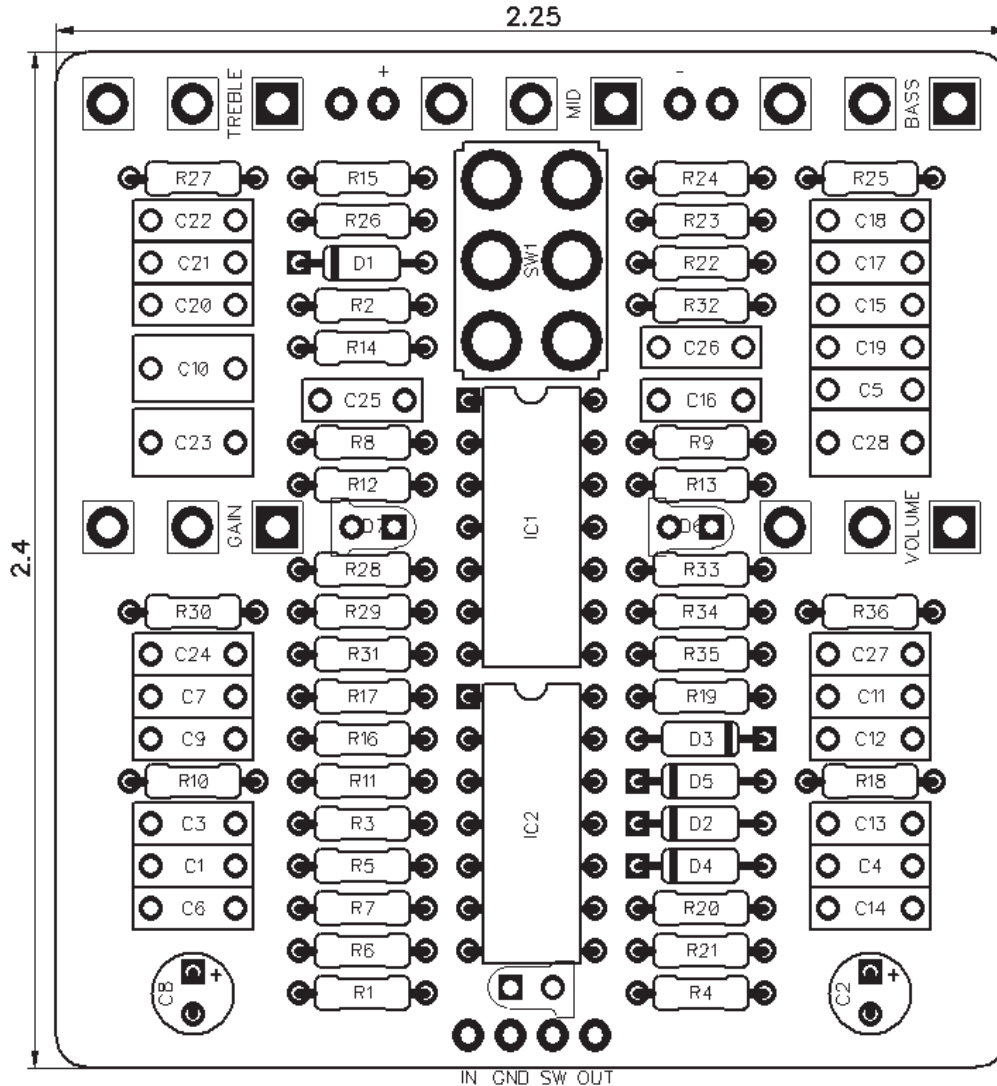




PedalPCB

Tyrian Distortion

Revision 03.19.19



Controls

- Volume
- Gain
- Treble
- Mid
- Bass
- Character (Toggle Switch)

All trademarks and registered trademarks are the property of their respective owners. The company, product, and service names used in this web site are for identification purposes only. Use of these names, logos, and brands does not imply endorsement.

RESISTORS (1/4W)

R1	1M
R2	10R
R3	470K
R4	4K7
R5	10K
R6	47K
R7	82K
R8	20K
R9	20K
R10	33K
R11	10K
R12	1K5
R13	1K5
R14	33K
R15	10K
R16	33K
R17	56K
R18	22K
R19	56K
R20	4K7
R21	82K
R22	4K7
R23	56K
R24	82K
R25	2K
R26	4K7
R27	100K
R28	470K
R29	22K
R30	150K
R31	22K
R32	10K
R33	1K5
R34	10K
R35	470K
R36	2K

CAPACITORS

C1	22n
C2	100u
C3	100p
C4	100n
C5	100n
C6	2n2
C7	2n2
C8	22u
C9	1n
C10	220n
C11	100p
C12	22n
C13	100p
C14	100p
C15	22n
C16	10n
C17	4n7
C18	47n
C19	100n
C20	4n7
C21	47n
C22	47n
C23	220n
C24	2n2
C25	10n
C26	10n
C27	100p
C28	220n

INTEGRATED CIRCUITS

See notes below

DIODES

D1	1N5817
D2	1N4148
D3	1N4148
D4	1N4148
D5	1N4148
D6	3mm Red LED
D7	3mm Red LED

POTENTIOMETERS

VOLUME	A50K
GAIN	B1M
TREBLE	A50K
MID	B100K
BASS	A100K

SWITCHES

SW1	DPDT Toggle (On/Off/On)
-----	-------------------------

IMPORTANT NOTE: Due to limited PCB space special steps must be taken to install the opamp ICs.

Method 1 (TL072 + Adapter)

Parts Required:

4 x	TL072
4 x	8-pin Single row pin headers
2 x	PedalPCB Dual Quad Opamp Adapter

Install pin headers into Dual Quad Opamp adapters
Install two TL072 opamps into each adapter

<https://www.pedalpcb.com/product/dualquad/>

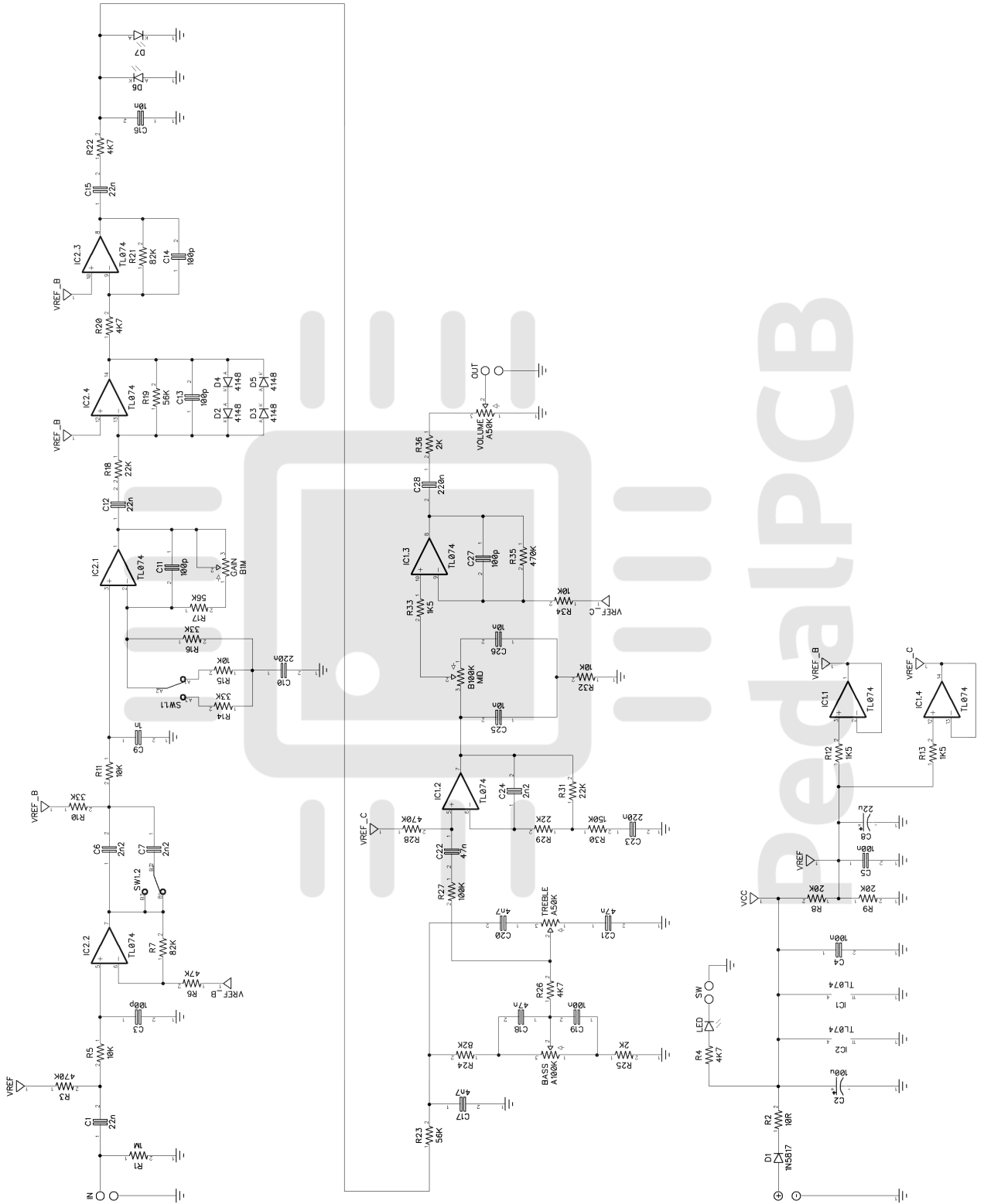
Method 2 (TL074 + Socket)

Parts Required:

2 x	TL074
1 x	14-Pin DIP Socket

Install upper TL074 directly into PCB with **no socket**.
Install lower TL074 in DIP socket.

Tyrian Distortion



Tyrian Distortion

Wiring Diagram



Tyrian Distortion

Drill Template
125B Enclosure

