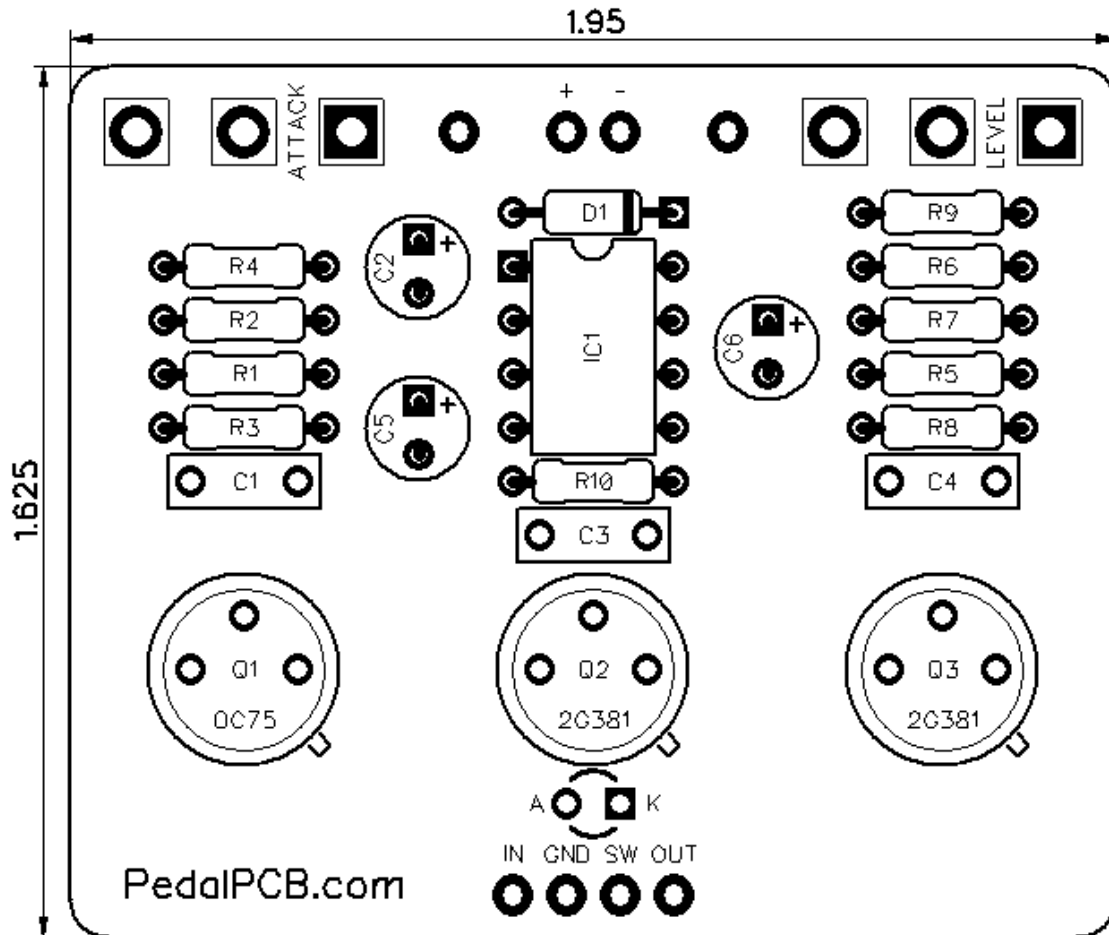


PedalPCB

Tone Vendor MKI

Revised 1/5/21

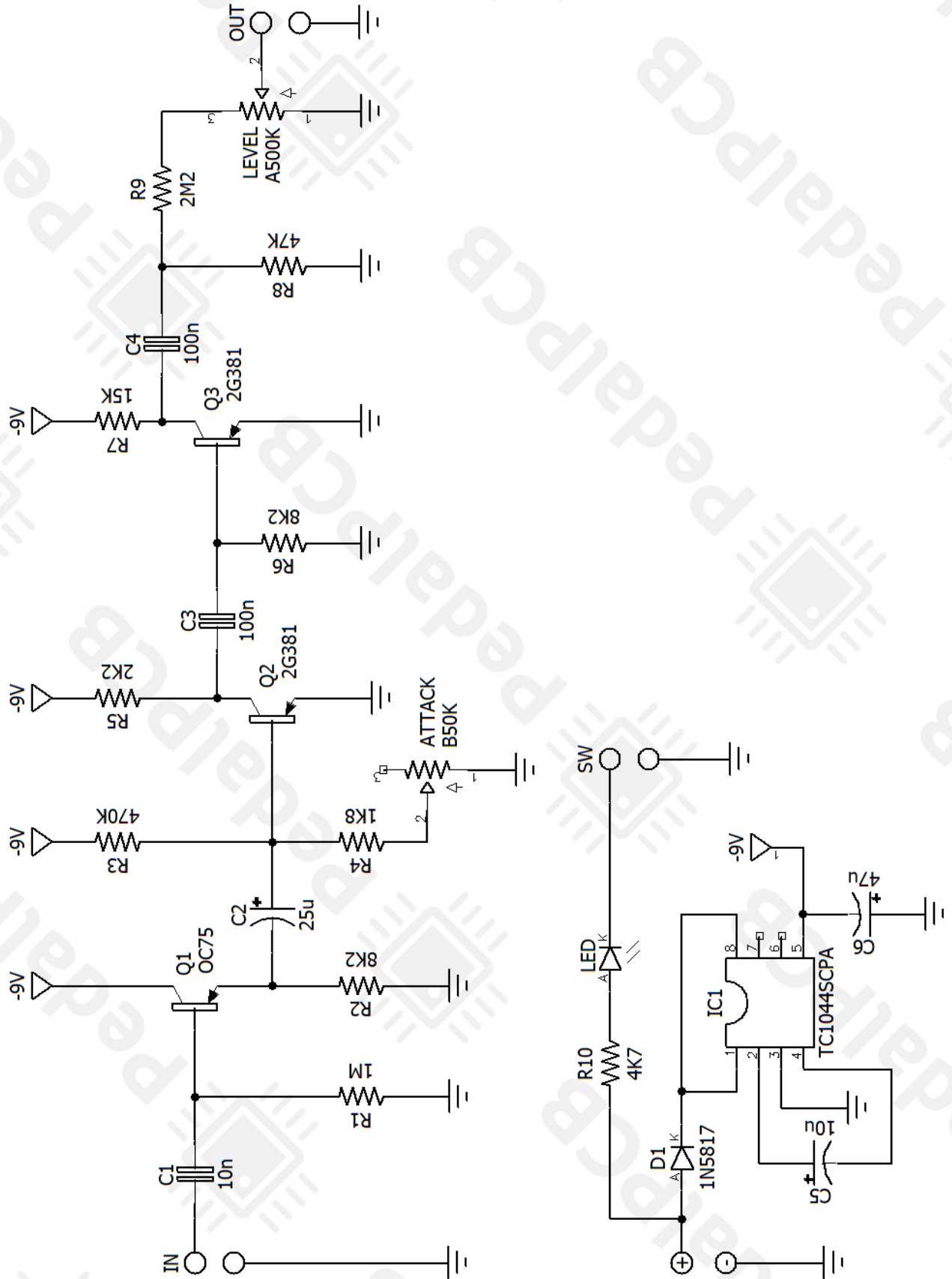


CONTROLS AND FEATURES

- Level
- Attack

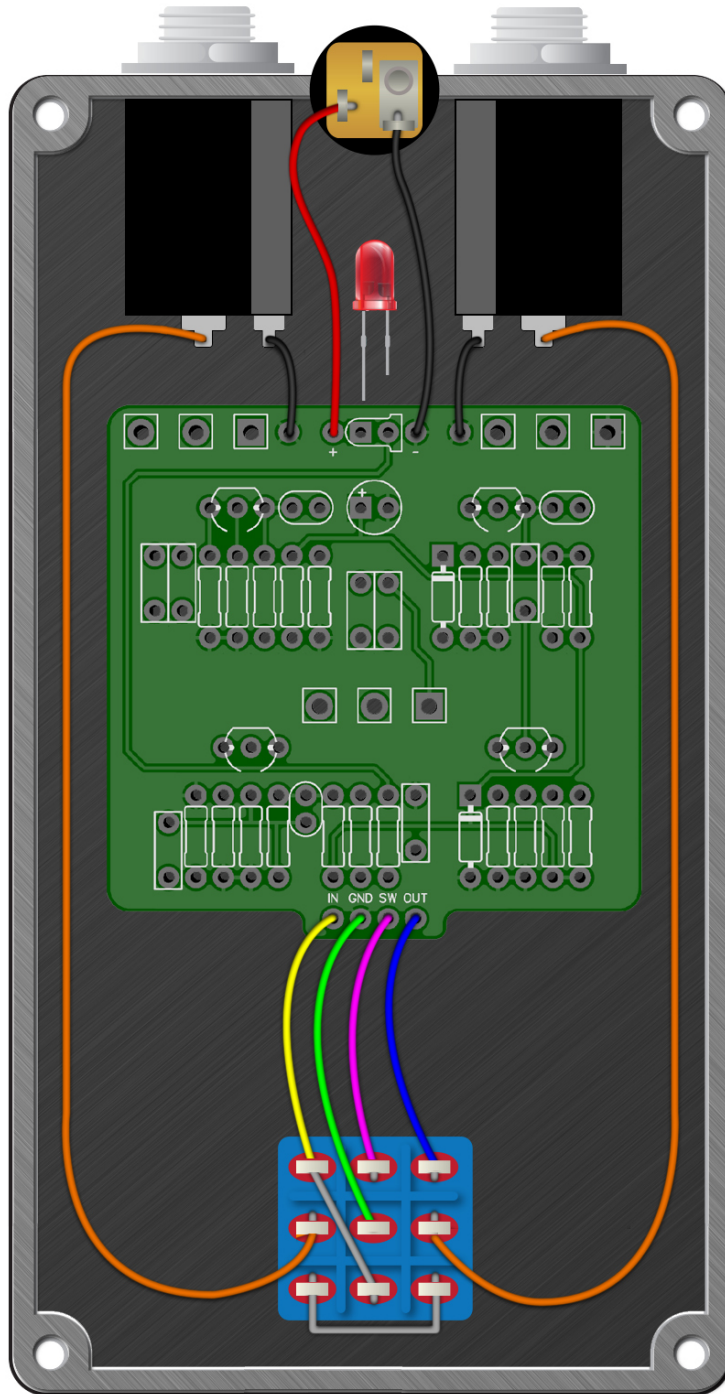
All trademarks and registered trademarks are the property of their respective owners. The company, product, and service names used in this web site are for identification purposes only. Use of these names, logos, and brands does not imply endorsement.

Schematic Diagram



Tone Vendor MKI

Wiring Diagram



Tone Vendor MKI

Drill Template
125B Enclosure

