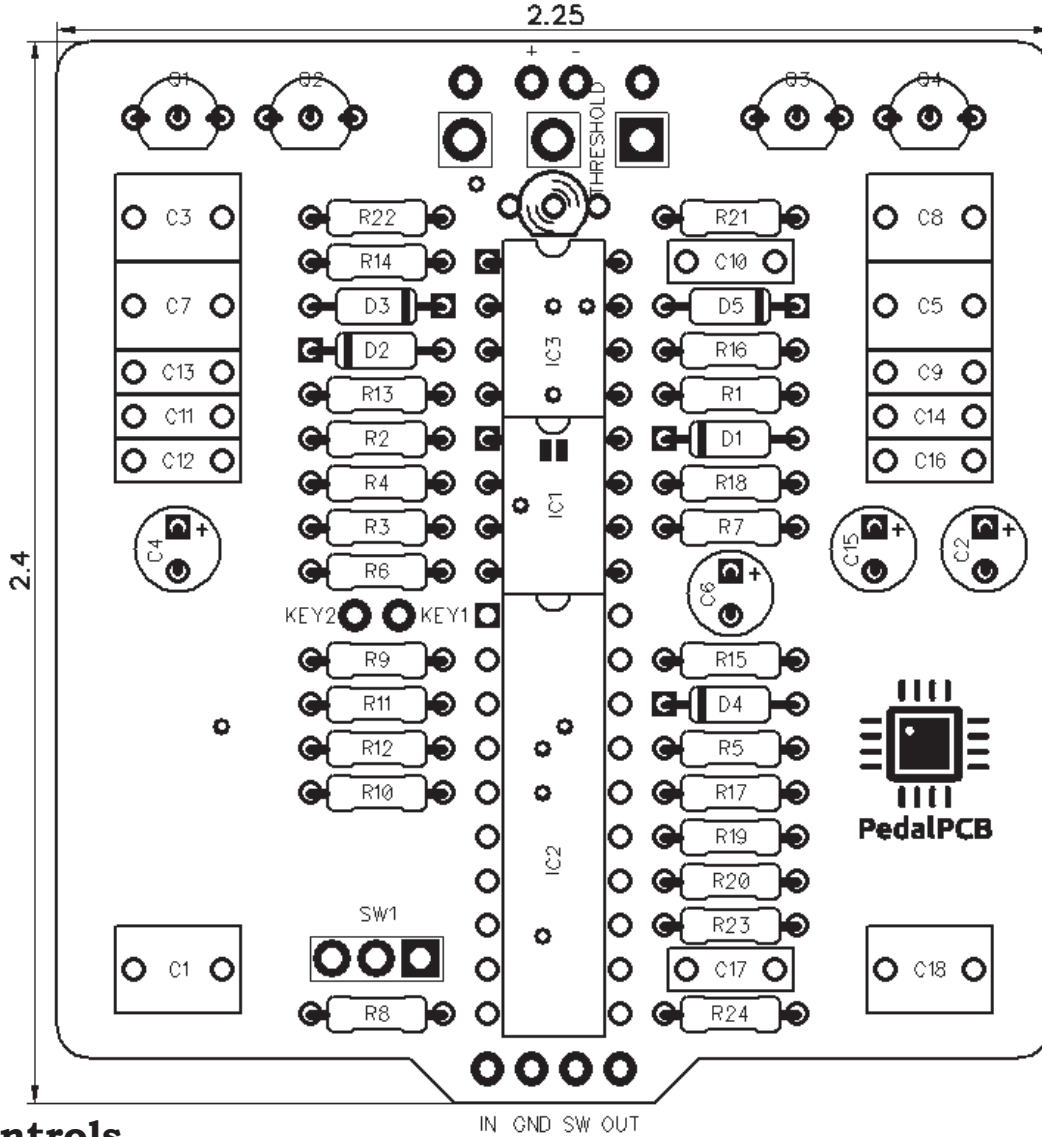




Muzzle

Revision 05.05.19



Controls

- Threshold
- Range (internal switch)

RESISTORS (1/4W)

R1	1M
R2	470K
R3	470K
R4	10K
R5	22K
R6	3K
R7	10K
R8	22K
R9	2M2
R10	1K5
R11	220K
R12	5K6
R13	10M
R14	470R
R15	47K
R16	1K
R17	47K
R18	6K8
R19	10K
R20	47R
R21	5K6
R22	5K6
R23	22K
R24	100K

CAPACITORS

C1	1u
C2	100u
C3	1u
C4	100u
C5	1u
C6	100u
C7	1u
C8	1u
C9	100n
C10	100n
C11	560n
C12	150n
C13	10n
C14	150p
C15	2u2
C16	150p
C17	150p
C18	1u

INTEGRATED CIRCUITS

IC1	LT1054
IC2	THAT4301
IC3	TL072

TRANSISTORS

Q1	2N3904
Q2	2N3904
Q3	2N3904
Q4	2N3904

DIODES

D1	1N5817
D2	1N4148
D3	1N4148
D4	1N4148
D5	1N4148
LED	Common Cathode 2-Color

POTENTIOMETERS

THRESHOLD	B25K
-----------	------

SWITCHES

RANGE (SW1) - Mini Slide SPDT

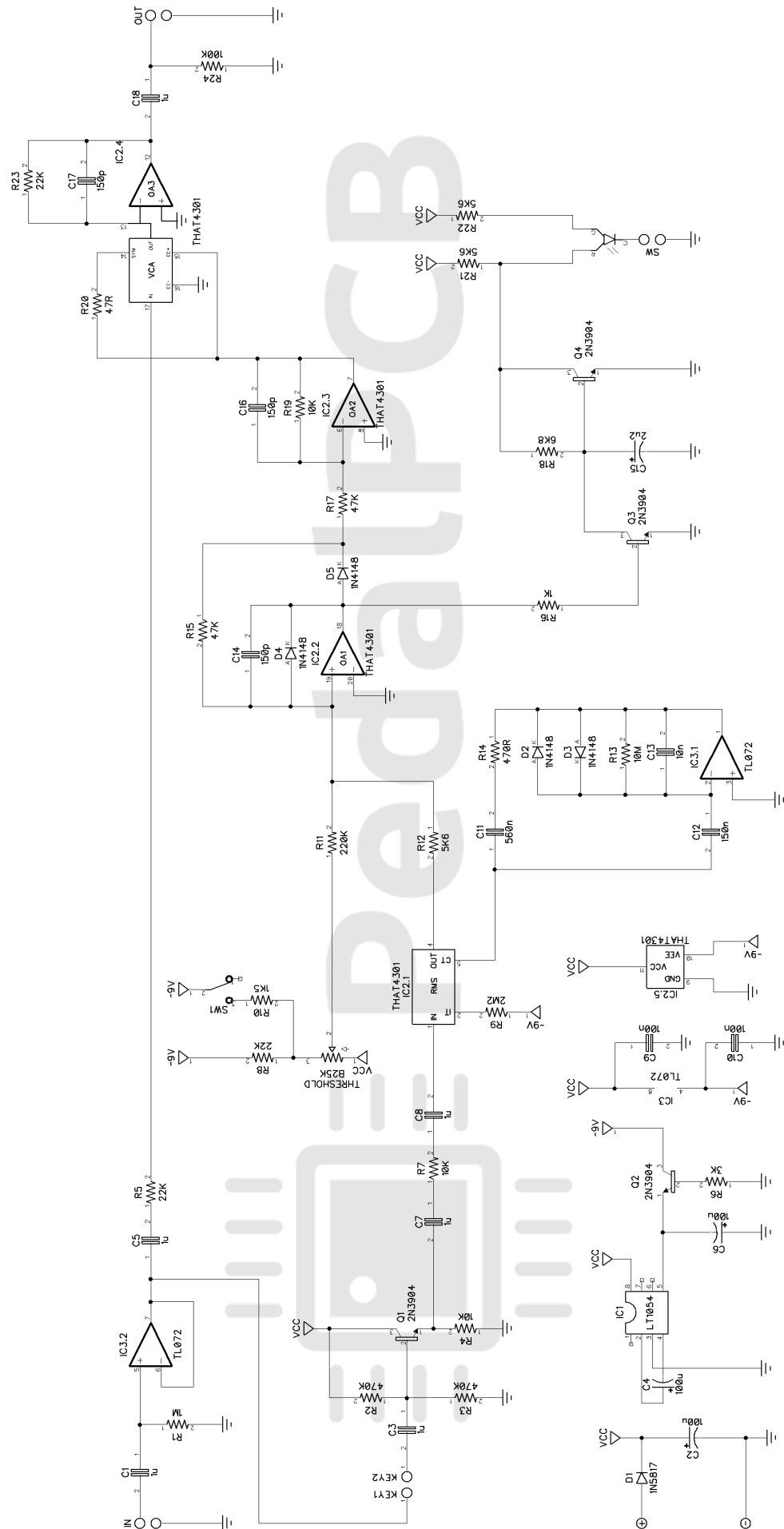
<https://www.taydaelectronics.com/electromechanical/switches-key-pad/slide-switch/mini-slide-switch-1p2t-through-hole-0-2a-24vdc.html>

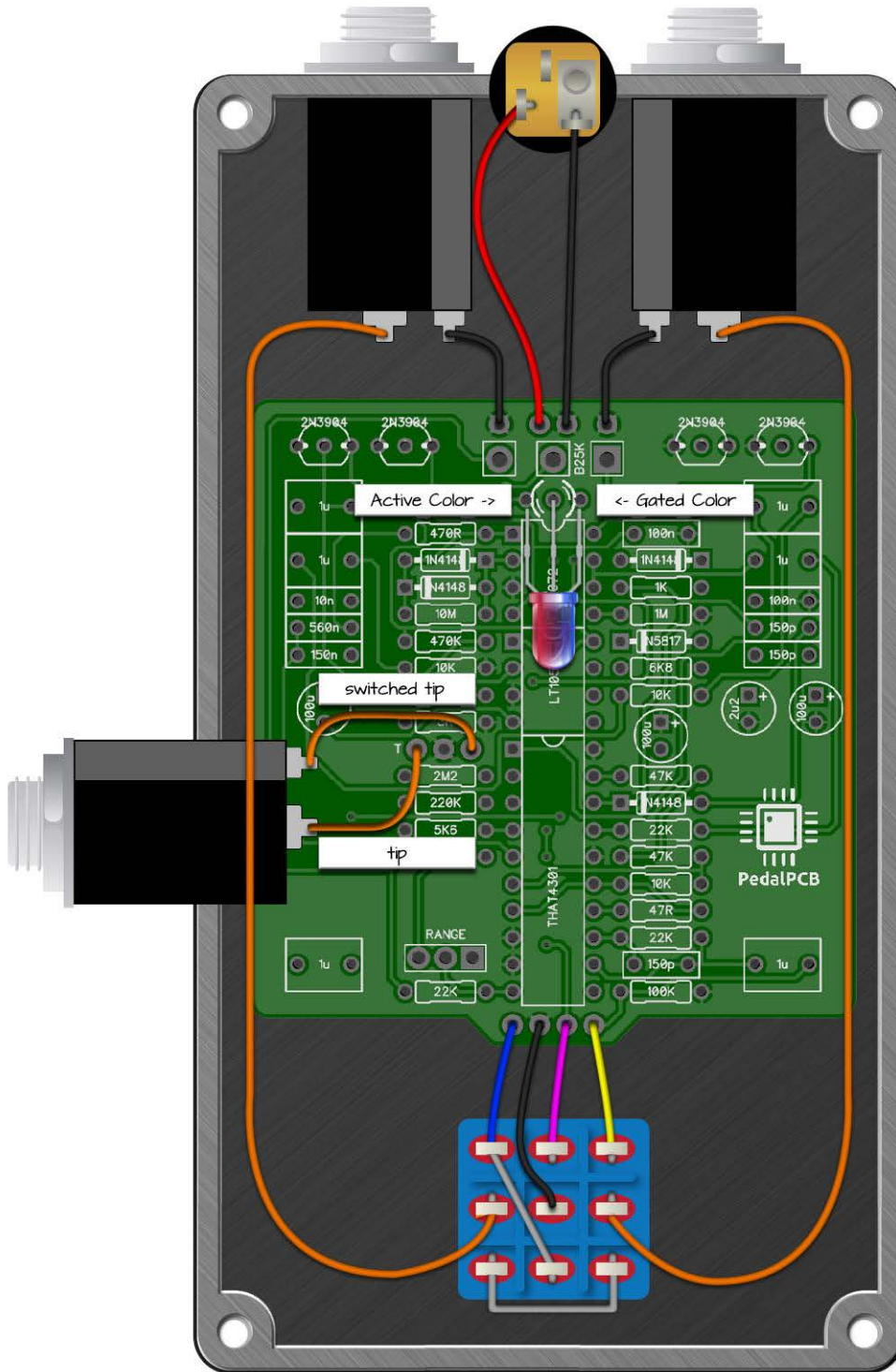
JACKS

SIDECHAIN (Key) - 1/4" Switching TRS

<https://www.taydaelectronics.com/6-35mm-1-4-stereo-phone-jack.html>

PedalPCB Muzzle





NOTE: Sidechain Input is optional
If omitted, install jumper across Tip and Switched Tip pads on PCB

Muzzle

Drill Template
125B enclosure with top mounted jacks

