

The **PedalPCB Intelligent Relay Bypass Module** provides silent relay switched bypass with intelligent switching functions. The pinout is directly compatible with most true-bypass PedalPCB circuit boards. A latching relay is used for low power consumption.

### Changing Modes

Holding down the footswitch while applying power cycles to the next mode. The mode setting is persistent and will be retained until changed again.

### Standard Mode

Pressing and immediately releasing the footswitch toggles the effect on or off.

Holding down the footswitch while the effect is active will momentarily bypass the effect until the footswitch is released.

### Auto-On Mode

The Auto-On function automatically engages the effect when power is applied. This is useful for always-on effects or effects used in a looper or rack setup.

### Channel Switching Mode

In Channel Switching Mode is designed for use in multi-effects pedals. Only one effect is activate at a time. Pressing any footswitch instantly activates that effect and bypasses any other active effect.

Relay Bypass Modules must be interconnected by the CTRL pads for Channel Switching Mode to function.

## Parts List

### RESISTORS (1/4W)

R1 10R  
R2 10K  
R3 100K

*\*R3 is only required for Channel Switching Mode*

### CAPACITORS

C1 100n  
C2 100n  
C3 22n  
C4 100u

### DIODES

D1 1N5817  
D2 1N5817

### SEMICONDUCTORS

IC1 L78L05  
IC2 ATTINY13A *\*Included*  
Q1 2N3904

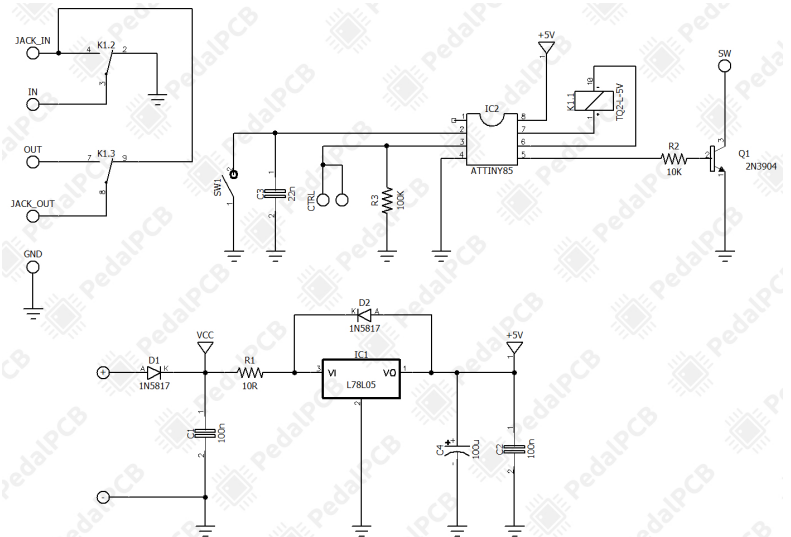
### RELAYS

K1 TQ2-L-5V

### SWITCHES

SW1 Momentary Footswitch

## Schematic



## Board Assembly

