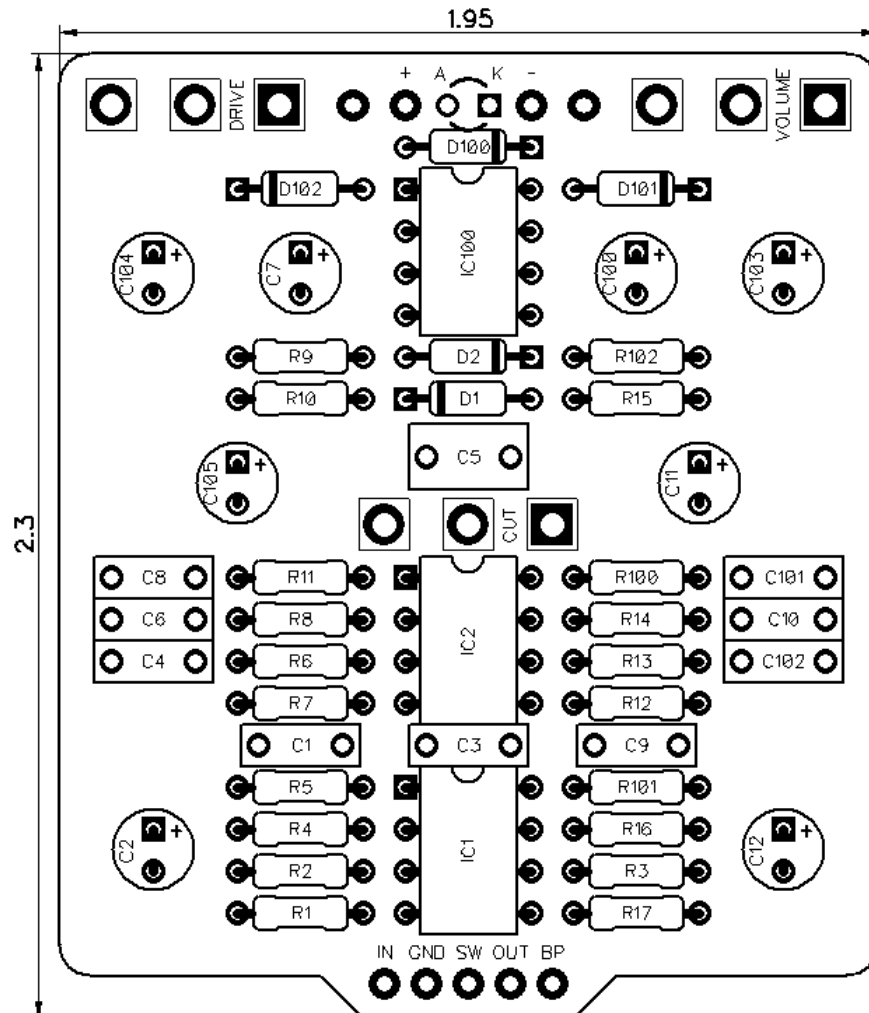


PedalPCB

Informant Overdrive

Revision 10.24.20



Controls

- Drive
- Cut
- Volume

All trademarks and registered trademarks are the property of their respective owners. The company, product, and service names used in this web site are for identification purposes only. Use of these names, logos, and brands does not imply endorsement.

RESISTORS (1/4W)

| | |
|------|------|
| R1 | 2M2 |
| R2 | 1K |
| R3 | 2M2 |
| R4 | 2K2 |
| R5 | 10K |
| R6 | 1K |
| R7 | 2M2 |
| R8 | 470R |
| R9 | 1K |
| R10 | 1K |
| R11 | 1K5 |
| R12 | 2M2 |
| R13 | 2M2 |
| R14 | 10K |
| R15 | 470R |
| R16 | 100K |
| R17 | 470R |
| R100 | 10K |
| R101 | 10K |
| R102 | 4K7 |

CAPACITORS

| | | |
|------|------|----------------|
| C1 | 100n | |
| C2 | 47u | *25V or Higher |
| C3 | 390p | |
| C4 | 22n | |
| C5 | 220n | |
| C6 | 3n3 | |
| C7 | 4u7 | *25V or Higher |
| C8 | 3n3 | |
| C9 | 22n | |
| C10 | 3n3 | |
| C11 | 4u7 | *25V or Higher |
| C12 | 4u7 | *25V or Higher |
| C100 | 100u | |
| C101 | 100n | |
| C102 | 100n | |
| C103 | 10u | *25V or Higher |
| C104 | 10u | *25V or Higher |
| C105 | 47u | |

INTEGRATED CIRCUITS

| | |
|-------|---------|
| IC1 | TL072 |
| IC2 | TL072 |
| IC100 | LT1054* |

DIODES

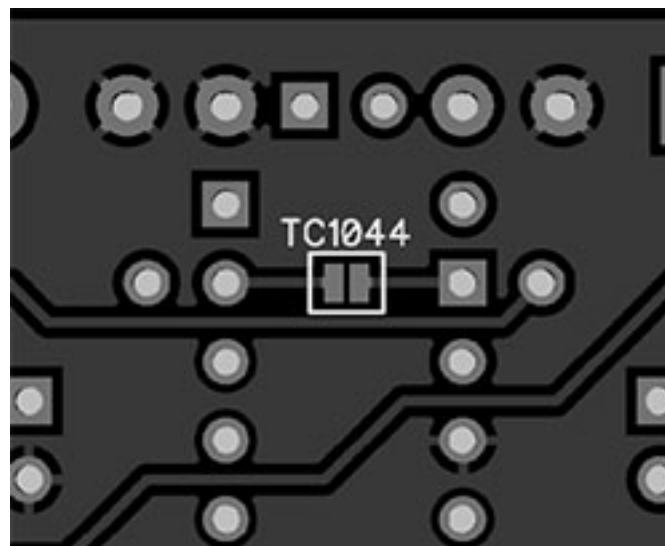
| | |
|------|--------|
| D1 | 1N914 |
| D2 | 1N914 |
| D100 | 1N5817 |
| D101 | 1N5817 |
| D102 | 1N5817 |

POTENTIOMETERS

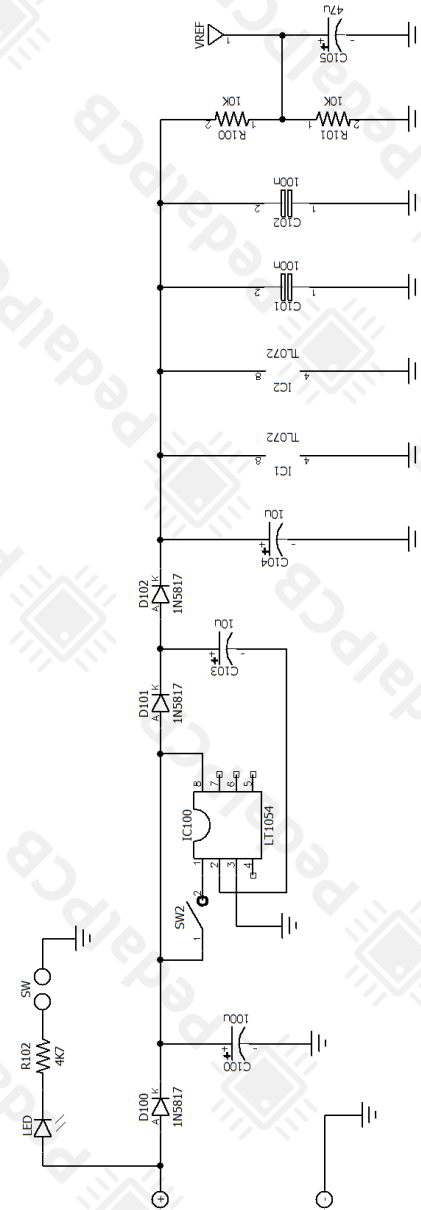
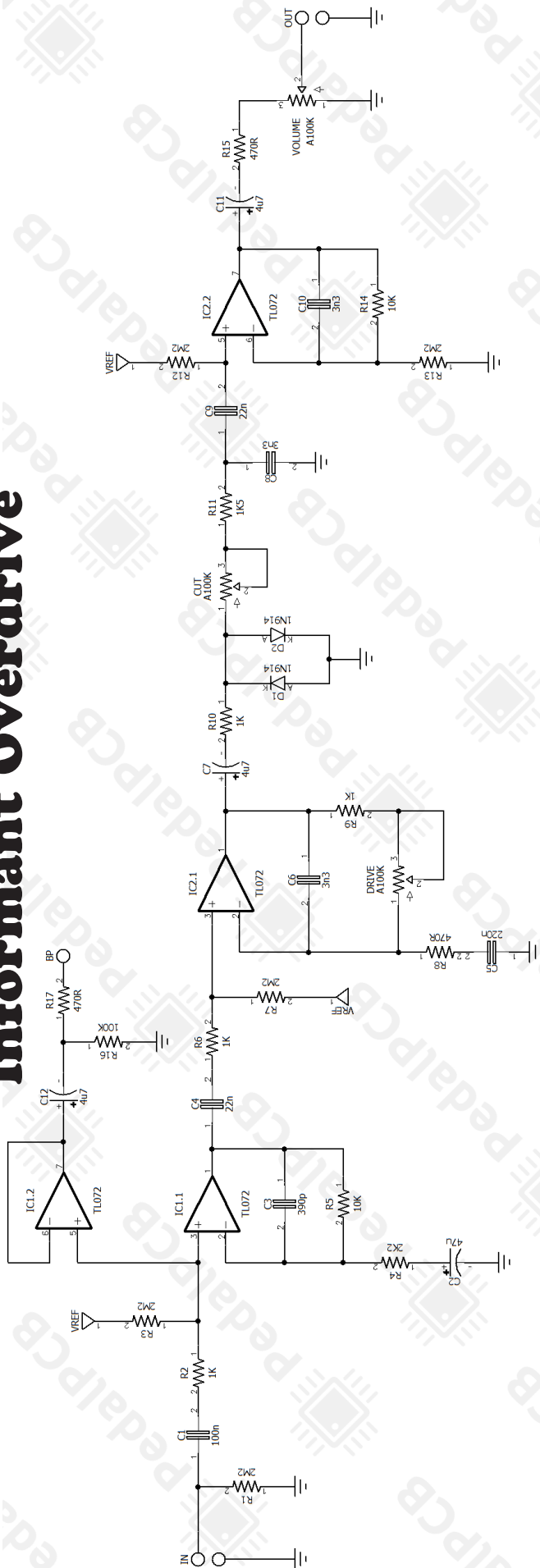
| | |
|--------|-------|
| DRIVE | A100K |
| CUT | A100K |
| VOLUME | A100K |

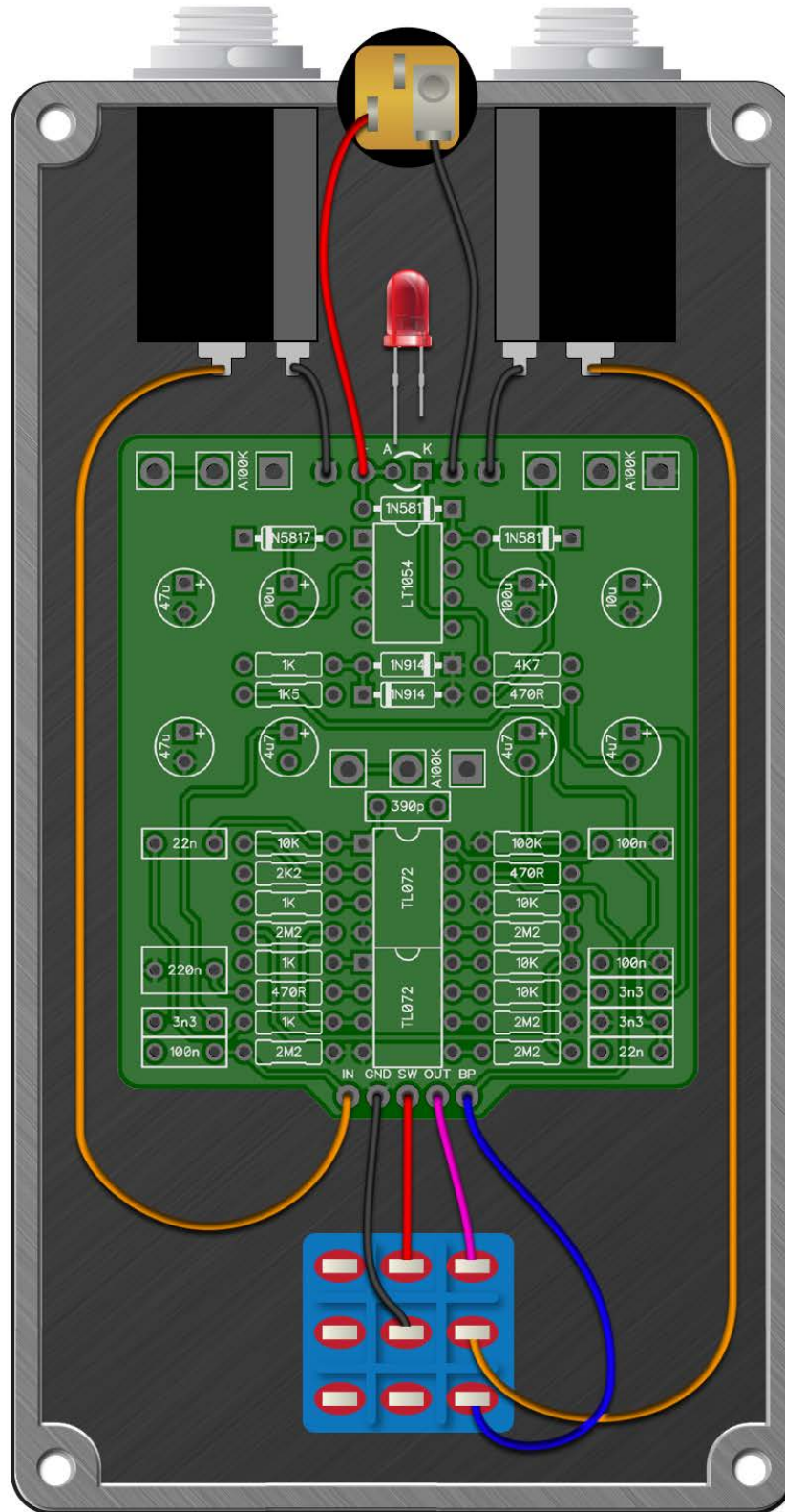
ALTERNATE CHARGE PUMP IC OPTION:

TC1044SCPA or ICL7660SCPA can be used instead of LT1054 by installing a bead of solder across "TC1044" jumper pads on the back of PCB.

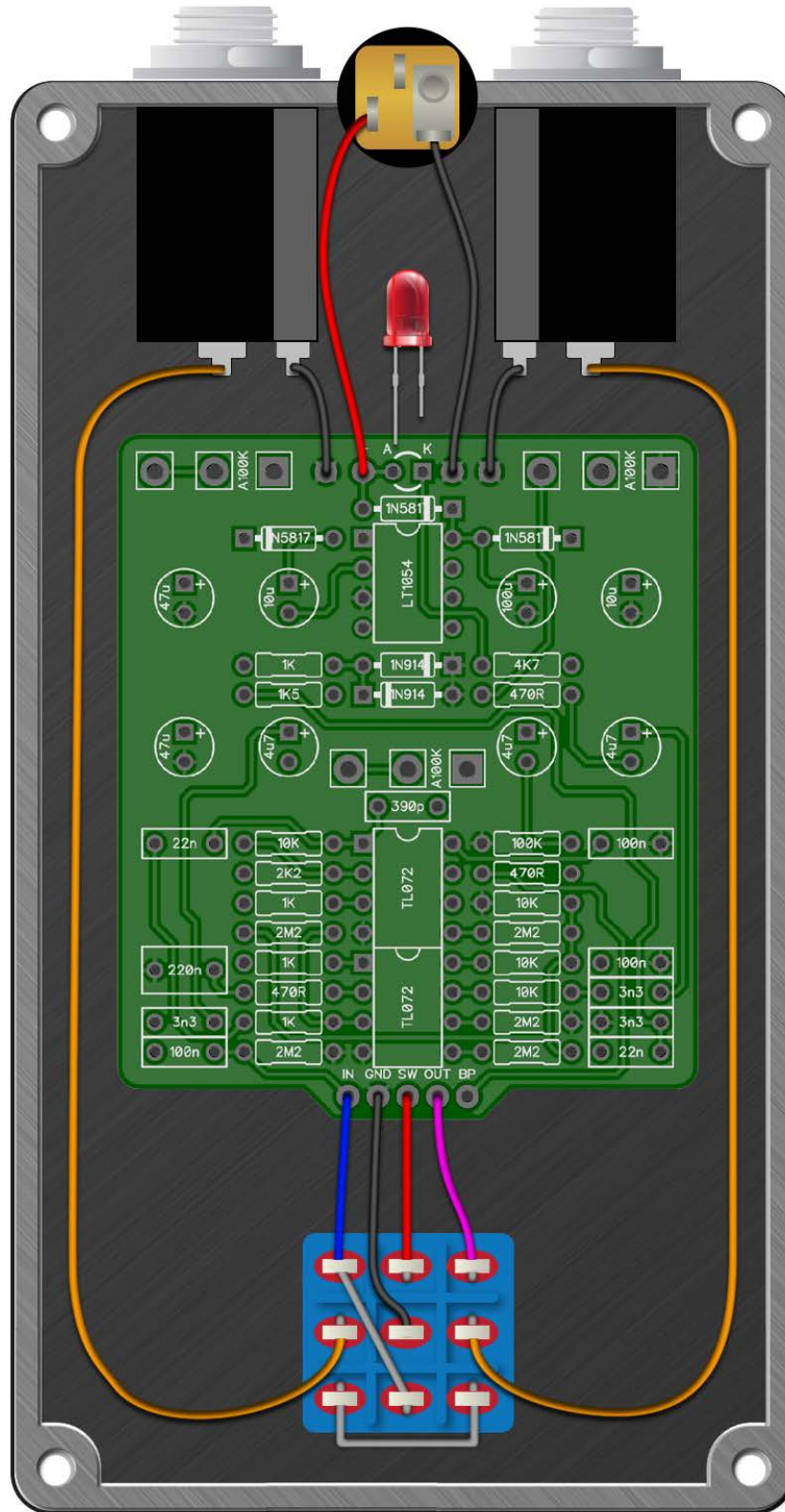


Informant Overdrive





Buffered Bypass Option



True-Bypass Option

Informant Overdrive

Drill Template

125B enclosure with top mounted jacks

