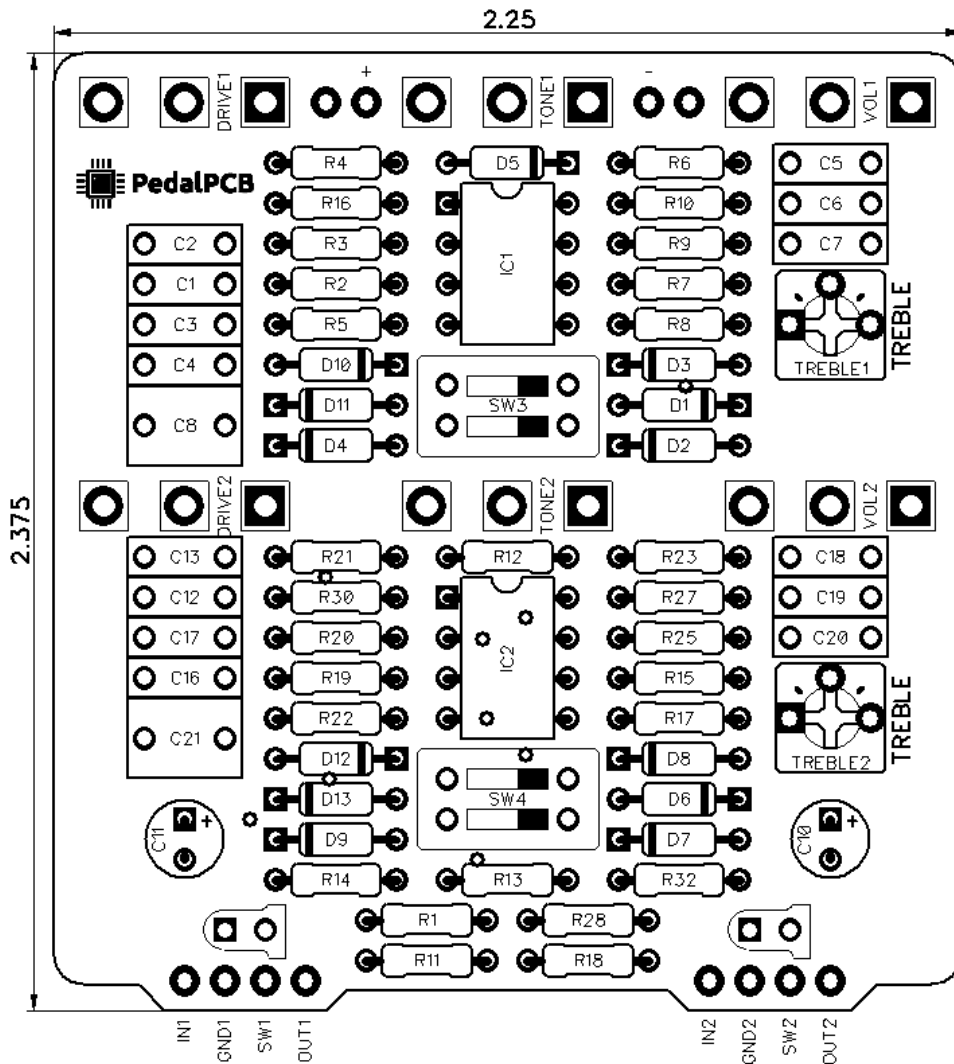




# PedalPCB

## Paragon Mini

Revision 12.24.18



### Controls (each side)

- **Volume** – Controls the output volume
- **Tone** – Controls the tone
- **Drive** – Controls the amount of drive
- **Treble (Internal trimpot)** – Adjusts the amount of treble content
- **DIP1 (Internal dipswitch)** – **Enable/disable soft clipping (overdrive)**
- **DIP2 (Internal dipswitch)** – **Enable/disable hard clipping (distortion)**

All trademarks and registered trademarks are the property of their respective owners. The company, product, and service names used in this web site are for identification purposes only. Use of these names, logos, and brands does not imply endorsement.

**RESISTORS**

R1 1M  
R2 1M  
R3 10K  
R4 33K  
R5 27K  
R6 10K  
R7 220K  
R8 6K8  
R9 1K  
R10 6K8  
R11 1M  
R12 47K  
R13 47K  
R14 4K7  
R15 220K  
R16 100K  
R17 6K8  
R18 1M  
R19 1M  
R20 10K  
R21 33K  
R22 27K  
R23 10K  
R25 1K  
R27 6K8  
R28 1M  
R30 100K  
R32 4K7

**CAPACITORS**

C1 10n  
C2 100p  
C3 10n  
C4 10n  
C5 100n  
C6 10n  
C7 10n  
C8 1u  
C10 100u  
C11 100u  
C12 10n  
C13 100p  
C16 10n  
C17 10n  
C18 100n  
C19 10n  
C20 10n  
C21 1u

**SWITCHES**

SW3 DIP2 SPST  
SW4 DIP2 SPST

**INTEGRATED CIRCUITS**

IC1 JRC4580D  
IC2 JRC4580D

**DIODES**

D1 MA856  
D2 MA856  
D3 MA856  
D4 MA856  
D5 5817  
D6 MA856  
D7 MA856  
D8 MA856  
D9 MA856  
D10 1S1588  
D11 1S1588  
D12 1S1588  
D13 1S1588

**POTENTIOMETERS**

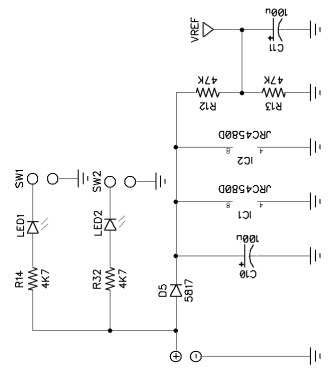
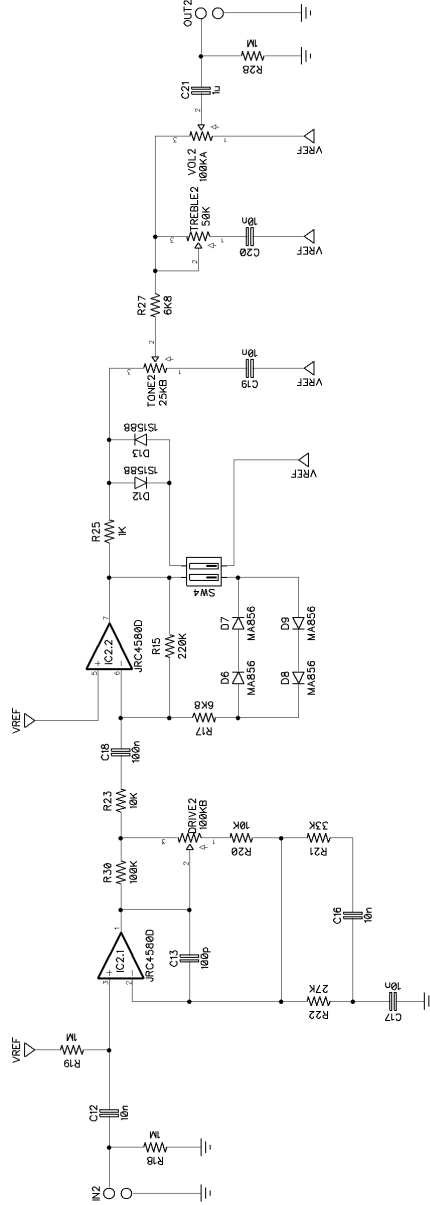
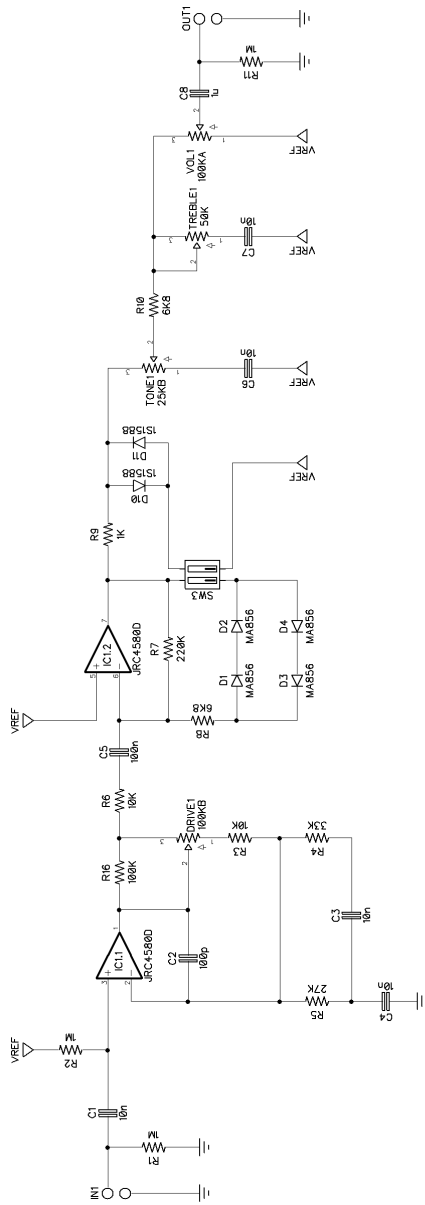
VOL1 100KA  
TONE1 25KB  
DRIVE1 100KB

VOL2 100KA  
TONE2 25KB  
DRIVE2 100KB

**TRIM POTS (3362P)**

TREBLE1 50K TRIM  
TREBLE2 50K TRIM

# Paragon Mini





# Paragon Mini

Drill Template  
125B enclosure with top mounted jacks

