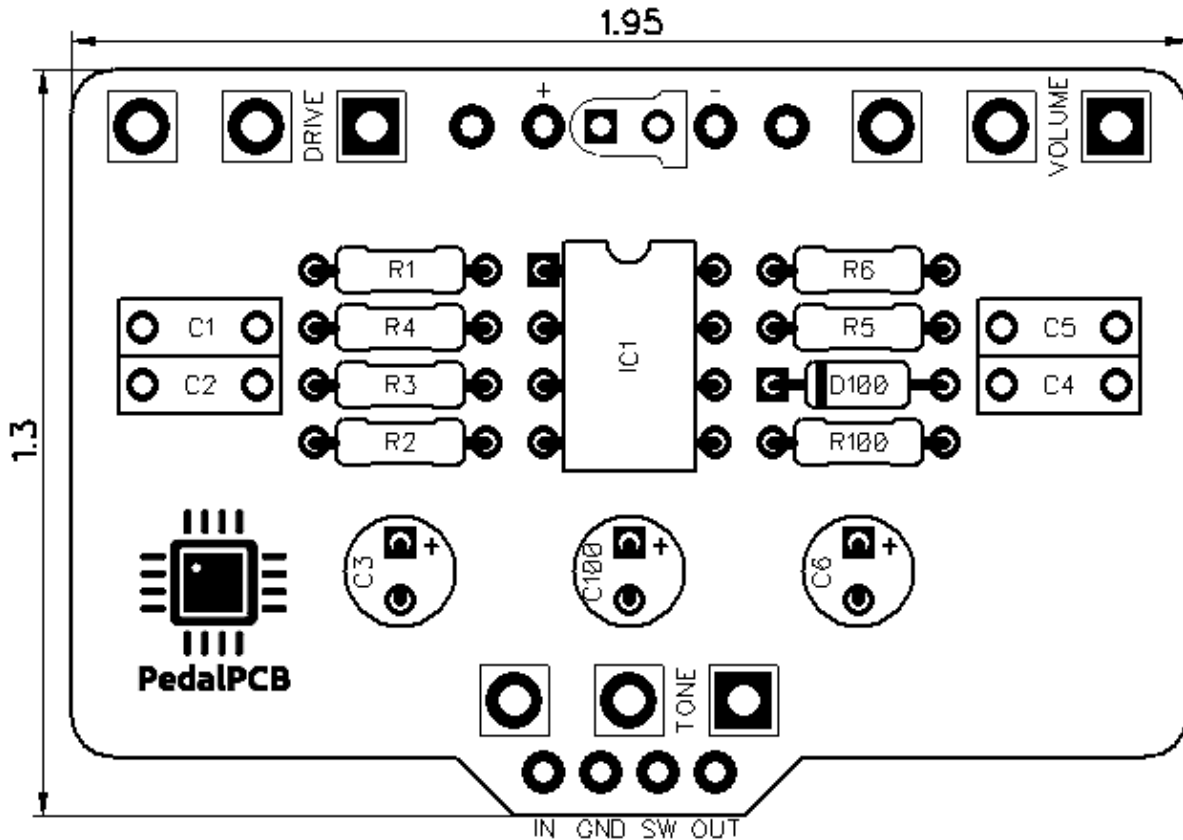




PedalPCB

Paradise Overdrive

Revision 03.23.20



Controls

- **Volume** - Controls the overall output volume
- **Tone** - Adjusts the tone from warm to bright
- **Drive** - Controls the amount of distortion

RESISTORS

R1 4K7
R2 4K7
R3 4K7
R4 1K8
R5 330R
R6 47R
R100 4K7

CAPACITORS

C1 390p
C2 47n
C3 47u
C4 22n
C5 100n
C6 47u
C100 47u

TRANSISTORS

IC1 LM386N-3

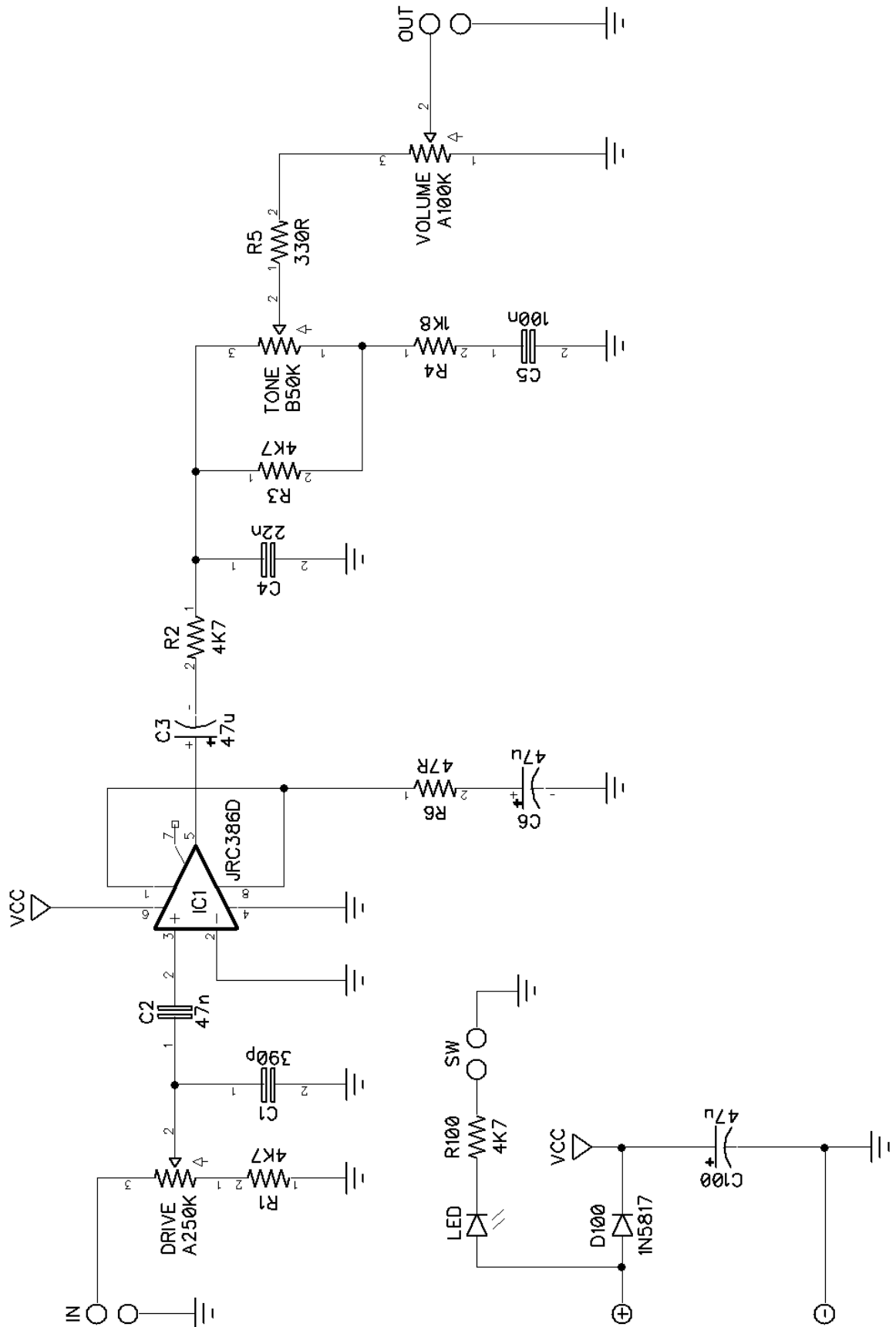
DIODES

D100 1N5817

POTENTIOMETERS

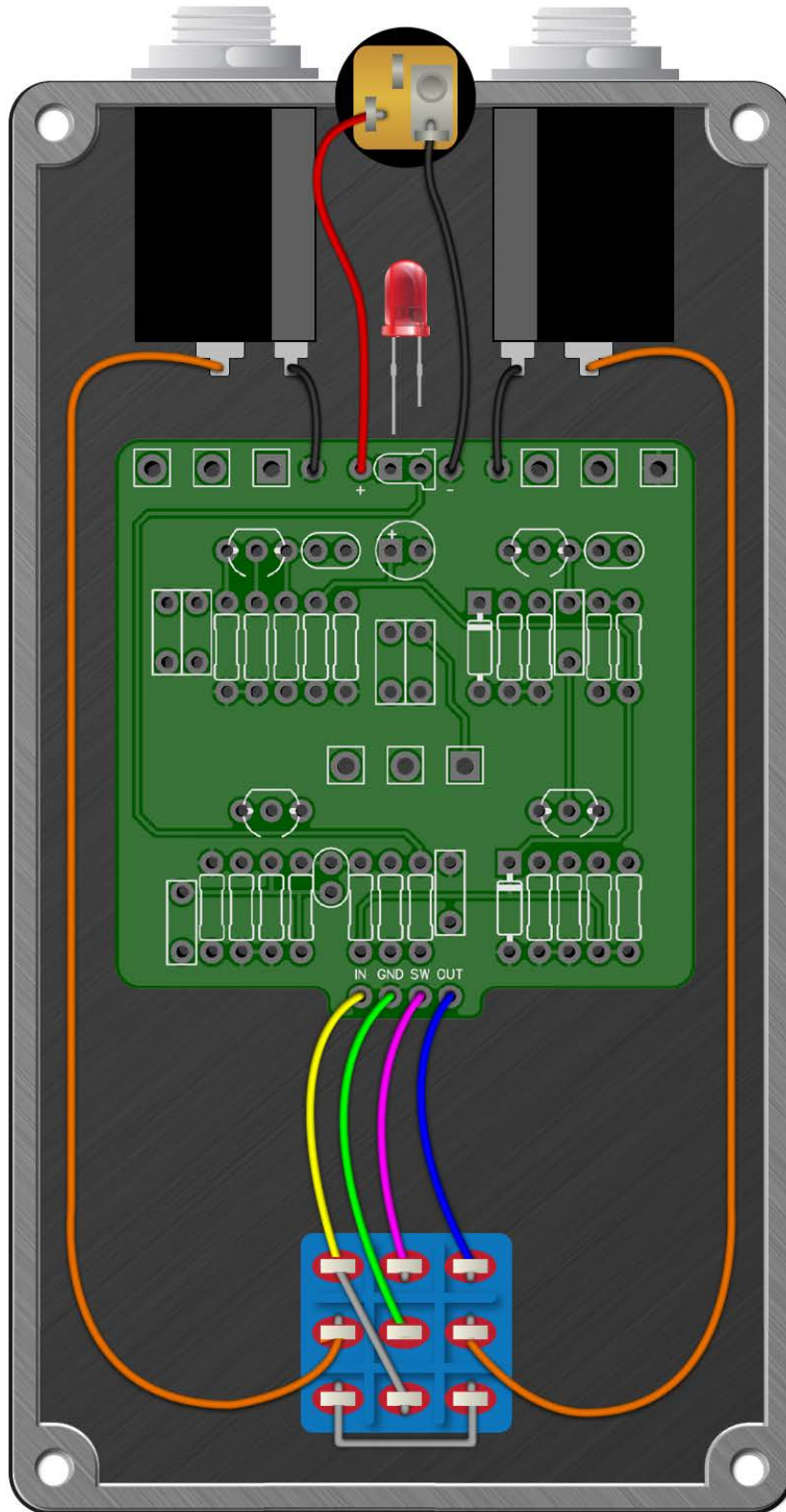
VOLUME A100K
TONE B50K
DRIVE A250K

Paradise Overdrive



Paradise Overdrive

Wiring Diagram



Paradise Overdrive

Drill Template
125B enclosure with top mounted jacks

