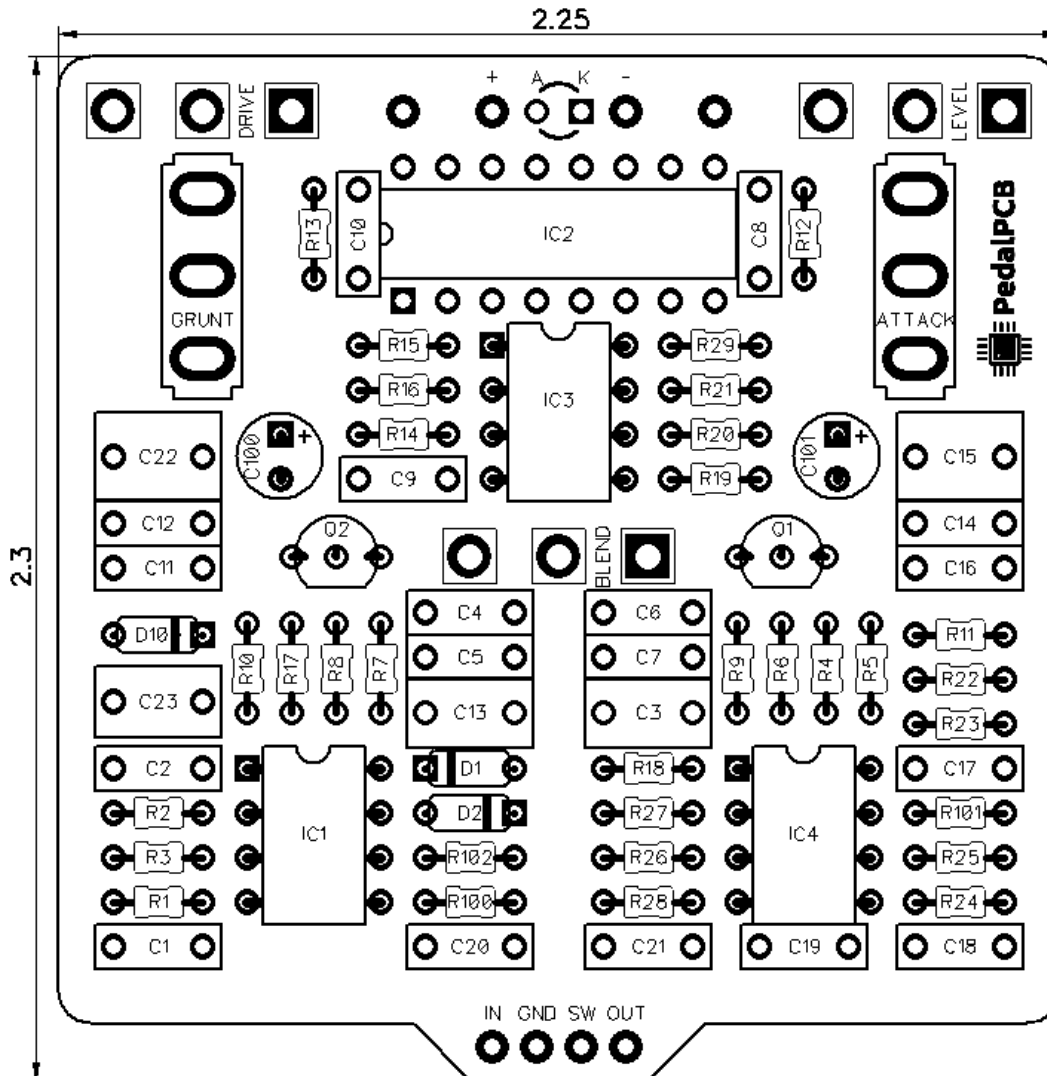




PedalPCB

Obsidius Preamp

Revision 09.20.20



Controls

- **Level** - Controls the overall output volume
- **Drive** - Controls amount of signal gain
- **Blend** - Controls the blend of clean / overdriven signal
- **Attack (Toggle)** - Sets the amount of treble content (Cut / Flat / Boost)
- **Grunt (Toggle)** - Sets the amount of pre-clipping low end content (Raw / Thin / Fat)

All trademarks and registered trademarks are the property of their respective owners. The company, product, and service names used in this web site are for identification purposes only. Use of these names, logos, and brands does not imply endorsement.

Obsidius Preamp

Parts List

RESISTORS (1/8W)

R1 1M
 R2 1M
 R3 10K
 R4 100K
 R5 1M
 R6 3K3
 R7 1M
 R8 1M
 R9 200K
 R10 6K8
 R11 22K
 R12 470K
 R13 470K
 R14 1M
 R15 330K
 R16 3K3
 R17 6K8
 R18 470K
 R19 10K
 R20 1M
 R21 100K
 R22 33K
 R23 10K
 R24 22K
 R25 22K
 R26 47K
 R27 1K
 R28 100K
 R29 100R
 R100 4K7
 R101 10K
 R102 10K

CAPACITORS

C1 100n
 C2 1n
 C3 220n
 C4 22n
 C5 22n
 C6 22n
 C7 22n
 C8 220p
 C9 100n
 C10 22p
 C11 4n7
 C12 22n
 C13 220n
 C14 22p
 C15 1u
 C16 680p
 C17 22n
 C18 2n2
 C19 2n2
 C20 2n2
 C21 1n
 C22 1u
 C23 220n
 C100 100u
 C101 100u

SWITCHES

GRUNT SPDT (On/Off/On)
 ATTACK SPDT (On/Off/On)

INTEGRATED CIRCUITS

IC1 TL072
 IC2 CD4049UBE
 IC3 TL072
 IC4 TL072

TRANSISTORS

Q1 J201
 Q2 J201

DIODES

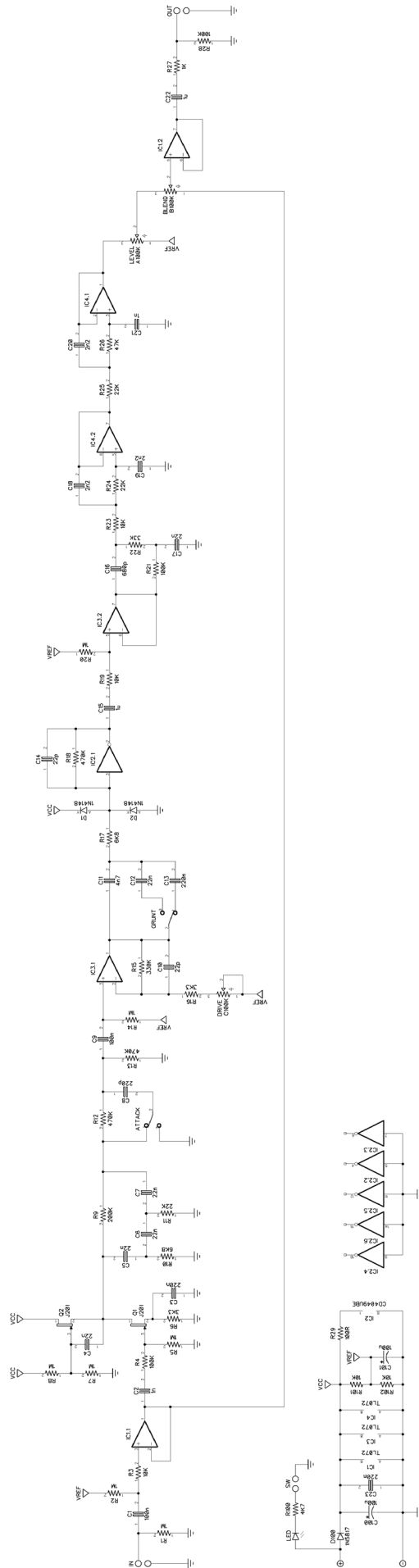
D1 1N4148
 D2 1N4148
 D100 1N5817

POTENTIOMETERS

BLEND B100K
 DRIVE C100K
 LEVEL A100K



Obsidius Preamp



Obsidius Preamp

Wiring Diagram



Obsidius Preamp

Drill Template
125B enclosure with top mounted jacks

