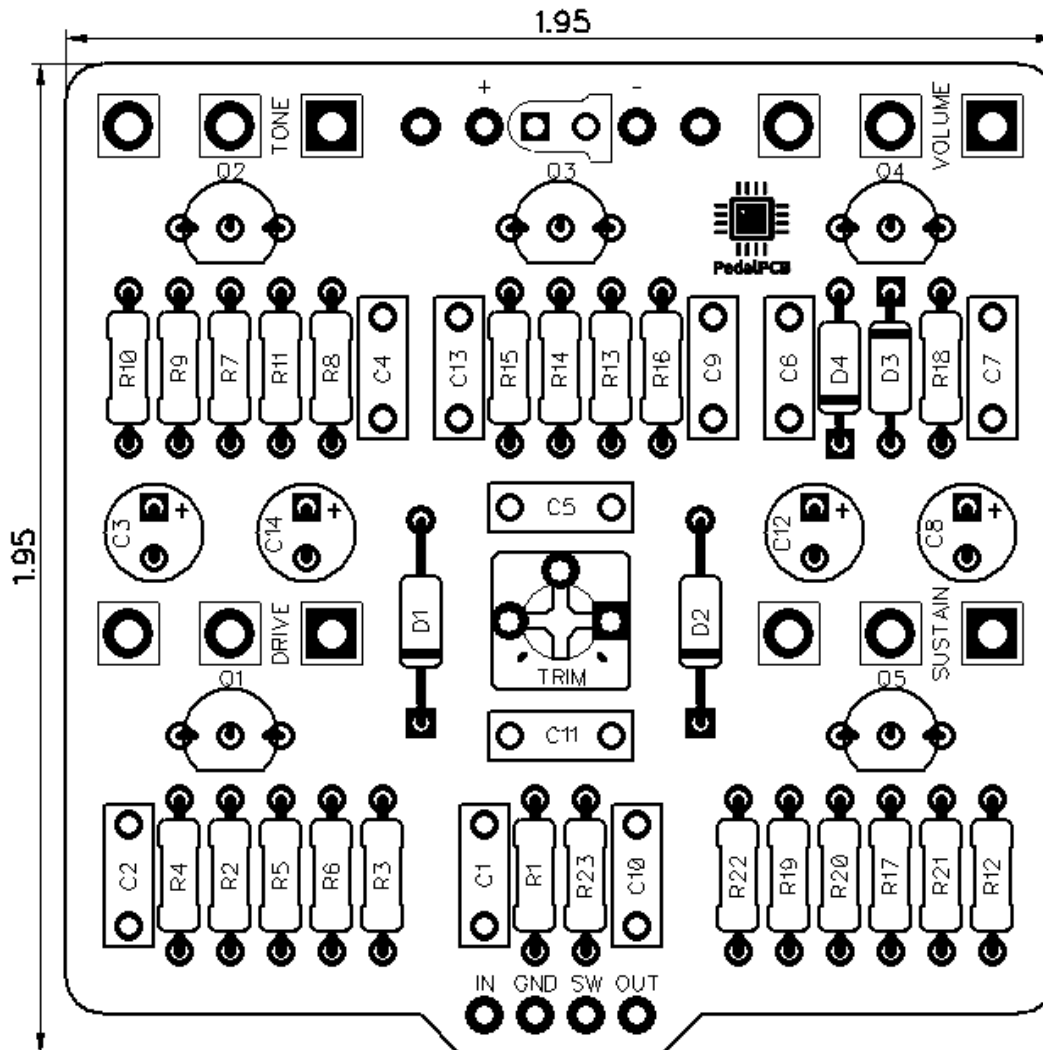




PedalPCB

Nugget Fuzz



Controls

- **Volume**
- **Drive**
- **Sustain**
- **Tone**
- **Bias** (*Trim pot*)

RESISTORS (1/4W)

R1 1M
R2 1M
R3 100K
R4 10K
R5 390R
R6 1K
R7 1K
R8 100K
R9 470K
R10 15K
R11 680R
R12 1K
R13 100K
R14 470K
R15 10K
R16 2K7
R17 100K
R18 360R
R19 1K
R20 5K6
R21 360R
R22 1K
R23 4K7

CAPACITORS

C1 100n
C2 100n
C3 22u
C4 1n
C5 220n
C6 100n
C7 10n
C8 4u7
C9 100n
C10 22n
C11 100n
C12 10u
C13 22n
C14 100u

TRANSISTORS

Q1 BC549C
Q2 BC549C
Q3 BC549C
Q4 BC549C
Q5 BC549C

DIODES

D1 1N34A
D2 1N34A
D3 1N914
D4 1N5817

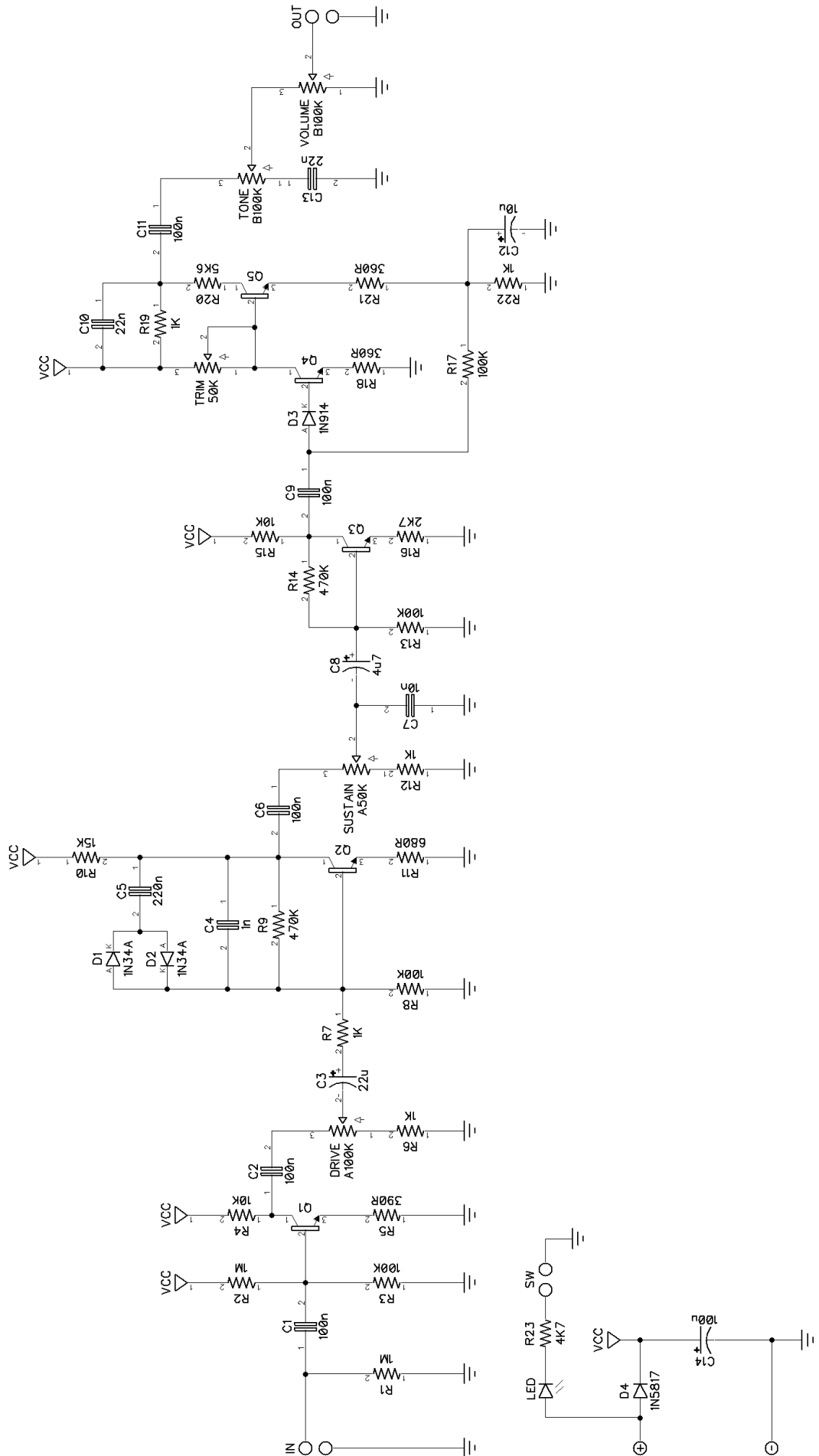
POTENTIOMETERS

VOLUME B100K
DRIVE A100K
SUSTAIN A50K
TONE B100K

TRIM POTS (3362P)

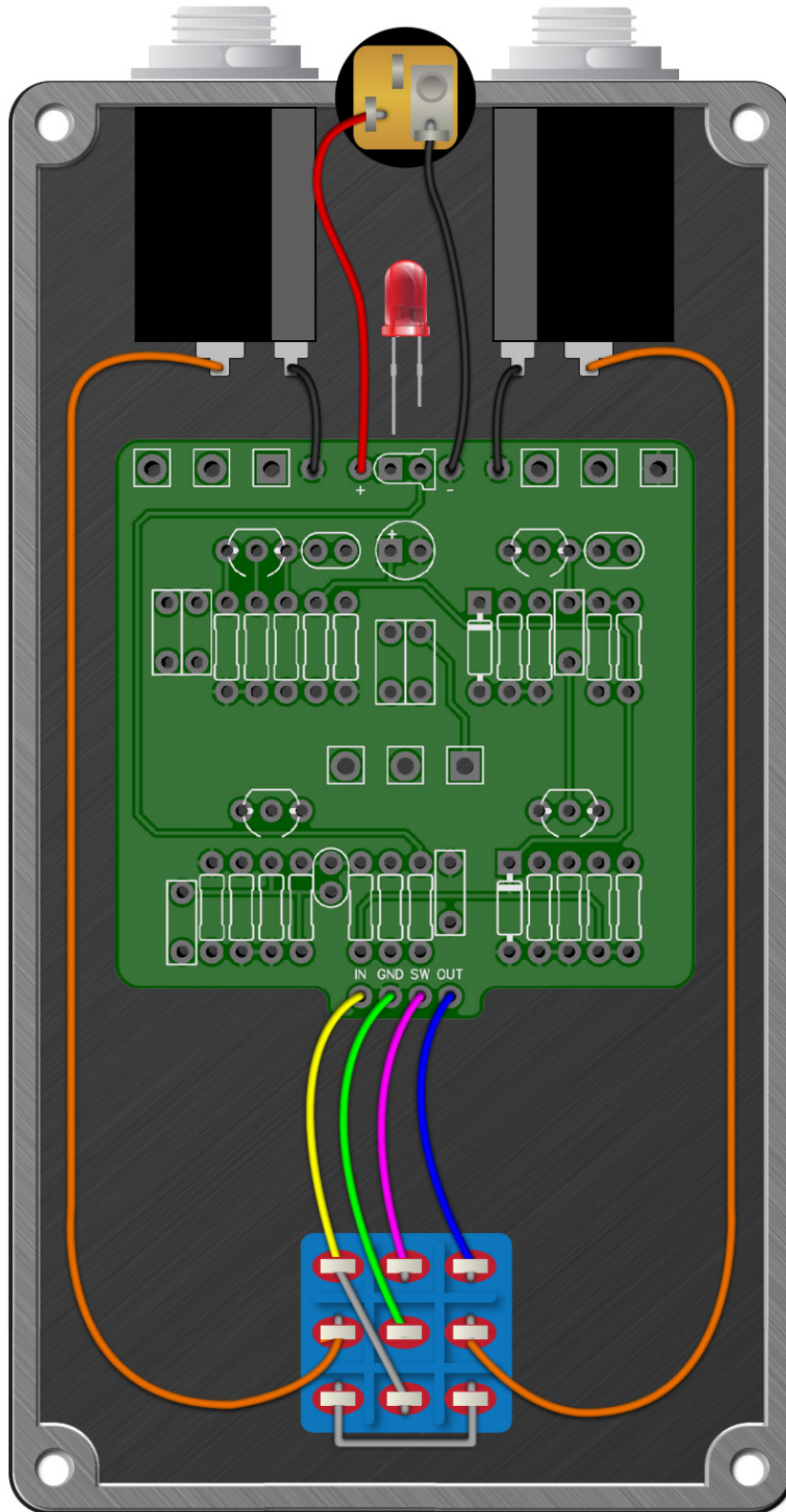
BIAS 50K

Nugget Fuzz



Nugget Fuzz

Wiring Diagram



Nugget Fuzz

Drill Template
125B enclosure with top mounted jacks

