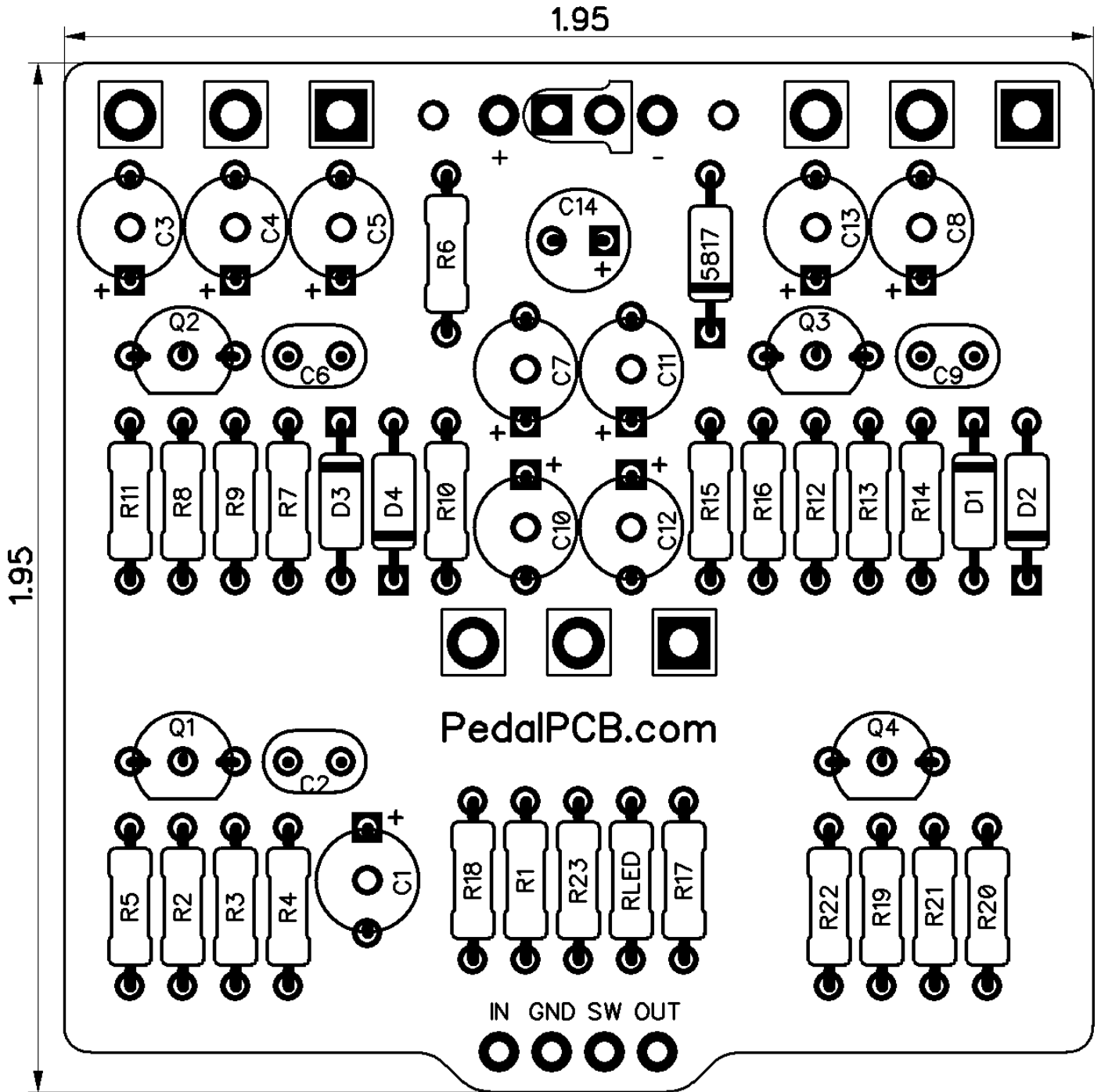




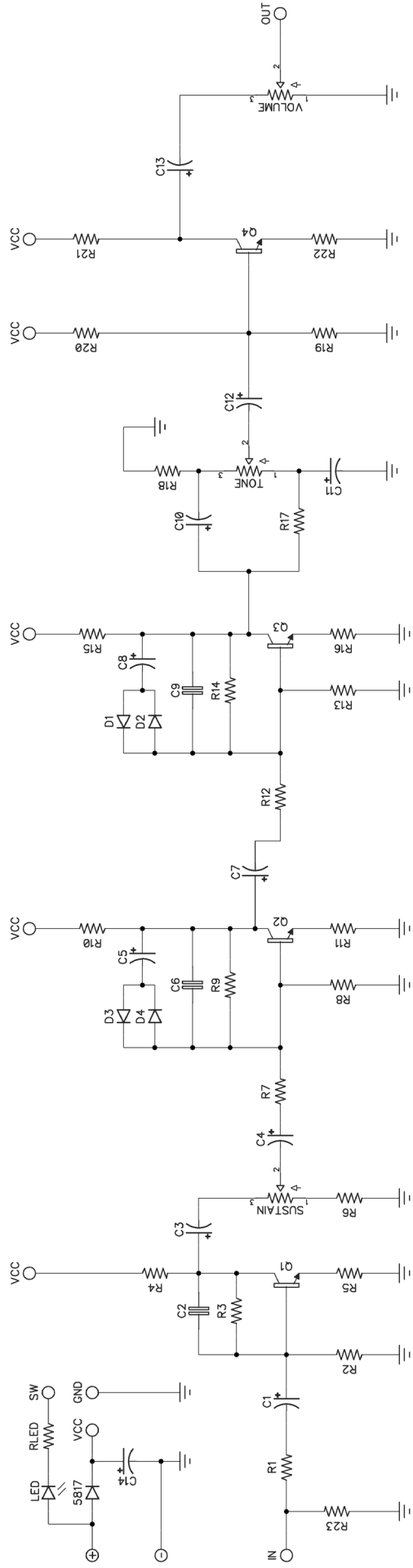
PedalPCB.com

# Muffin Fuzz

Revision 07.28.20



# Muffin Fuzz



# Bill of Materials

Green Russian		Civillian		Triangle																	
R1	39k	C1	100nF	R1	3.3k	C1	100nF	R10	12k	C10	3.9nF	R15	22k	Q1	2N5088	R20	470k	D1	1N914	D5817	1N5817
R2	100k	C2	470pF	R2	100k	C2	430pF	R11	390	C11	10nF	R16	820	Q2	2N5088	R21	10k	D2	1N914		
R3	470k	C3	100nF	R3	470k	C3	100nF	R12	10k	C12	100nF	R17	20k	Q3	2N5088	R22	2.7k	D3	1N914		
R4	12k	C4	100nF	R4	12k	C4	100nF	R13	100k	C13	100nF	R18	22k	Q4	2N5088	R23	N/A	D4	1N914		
R5	390	C5	47nF	R5	390	C5	47nF	R14	470k	C14	100uF	R19	100k			R20	470k				
R6	1k	C6	470pF	R6	1k	C6	430pF	R15	12k			R21	10k			R21	10k				
R7	10k	C7	100nF	R7	10k	C7	100nF	R16	390			R22	2.7k			R22	2.7k				
R8	100k	C8	47nF	R8	100k	C8	47nF	R17	20k			R23	N/A			R23	N/A				
R9	470k	C9	470pF	R9	470k	C9	430pF	R18	22k			R20	470k			R20	470k				
R10	12k	C10	3.9nF	R10	12k	C10	3.9nF	R19	100k			R21	10k			R21	10k				
R11	390	C11	10nF	R11	390	C11	10nF	R20	470k			R22	2.7k			R22	2.7k				
R12	10k	C12	100nF	R12	10k	C12	100nF	R21	10k			R23	N/A			R23	N/A				
R13	100k	C13	100nF	R13	100k	C13	100nF	R22	2.7k			RLED	4K7			RLED	4K7				
R14	470k	C14	100uF	R14	470k	C14	100uF														
R15	12k			R15	12k																
R16	390	Q1	2N5088	R16	390	Q1	2N5088														
R17	20k	Q2	2N5088	R17	20k	Q2	2N5088														
R18	22k	Q3	2N5088	R18	22k	Q3	2N5088														
R19	100k	Q4	2N5088	R19	100k	Q4	2N5088														
R20	470k			R20	470k																
R21	10k	D1	1N914	R21	10k	D1	1N914														
R22	2k	D2	1N914	R22	2.7k	D2	1N914														
R23	N/A	D3	1N914	R23	N/A	D3	1N914														
RLED	4K7	D4	1N914	RLED	4K7	D4	1N914														
		D5817	1N5817			D5817	1N5817														
SUSTAIN	100K			SUSTAIN	100K																
STONE	100K			STONE	100K																
VOLUME	100K			VOLUME	100K																

# Bill of Materials

## Double-G Overdrive

R1	39K	C1	47nF
R2	100K	C2	1nF
R3	470K	C3	47nF
R4	18K	C4	47nF
R5	100	C5	220nF
R6	1K	C6	1nF
R7	8.2K	C7	4.7uF
R8	100K	C8	220nF
R9	470K	C9	1nF
R10	15K	C10	4.7uF
R11	680	C11	10nF
R12	8.2K	C12	220nF
R13	100K	C13	22uF
R14	470K	C14	100uF
R15	15K	C15*	22uF
R16	100	Q1	BC549C
R17	N/A	Q2	BC549C
R18	100K	Q3	BC549C
R19	100K	Q4	BC549C
R20	390K	D1	1N34A
R21	8.2K	D2	1N34A
R22	2.2K	D3	1N4148
R23	N/A	D4	1N4148
R24*	620		
R25*	39K		
RLED	4K7	D5817	1N5817
SUSTAIN	50KA		
tone	25KB		
VOLUME	10KA		

## Martian Fuzz

R1	33K	C1	100nF
R2	100K	C2	470pF
R3	470K	C3	10nF
R4	10K	C4	100nF
R5	JUMPER	C5	100nF
R6	1K	C6	470pF
R7	10K	C7	100nF
R8	100K	C8	100nF
R9	470K	C9	470pF
R10	680K	C10	4.7nF
R11	JUMPER	C11	10nF
R12	10K	C12	100nF
R13	100K	C13	1uF
R14	470K	C14	100uF
R15	200K	Q1	2N5088
R16	JUMPER	Q2	2N5088
R17	33K	Q3	2N5088
R18	22K	Q4	2N5088
R19	100K	D1	1N4148
R20	470K	D2	1N4148
R21	10K	D3	1N4148
R22	1K	D4	1N4148
R23	1M	D5817	1N5817
RLED	4K7		
SUSTAIN	100K		
tone	100K		
VOLUME	100K		

## Bigger Muffin

R1	33k	C1	10uF
R2	100k	C2	47pF
R3	470k	C3	100nF
R4	12k	C4	100nF
R5	100	C5	100nF
R6	8.2k	C6	47pF
R7	10k	C7	10uF
R8	100k	C8	100nF
R9	470k	C9	47pF
R10	12k	C10	4.7nF
R11	100	C11	10nF
R12	10k	C12	100nF
R13	100k	C13	10uF
R14	470k	C14	N/A
R15	12k	Q1	2N706A
R16	100	Q2	2N706A
R17	33k	Q3	2N706A
R18	33k	Q4	2N706A
R19	100k	D1	1N4148
R20	510k	D2	1N4148
R21	12k	D3	1N4148
R22	3.3k	D4	1N4148
R23	N/A	D5817	1N5817
RLED	4K7		
SUSTAIN	100K		
tone	100K		
VOLUME	100K		

# Bill of Materials

Stomp '75		Mask Us		The Fox	
R1	33k	C1	100nF	R1	33k
R2	100k	C2	470pF	R2	100k
R3	470k	C3	100nF	R3	470k
R4	12k	C4	100nF	R4	12K
R5	100	C5	100nF	R5	100R
R6	1k	C6	470pF	R6	8K2
R7	8.2k	C7	100nF	R7	7K5
R8	100k	C8	100nF	R8	100K
R9	470k	C9	470pF	R9	470K
R10	12k	C10	3.9nF	R10	12K
R11	100	C11	10nF	R11	100R
R12	8.2k	C12	100nF	R12	7K5
R13	100k	C13	100nF	R13	100K
R14	470k	C14	100uF	R14	470K
R15	12k			R15	12K
R16	100	Q1	2N5088	R16	100R
R17	33k	Q2	2N5088	R17	33K
R18	33k	Q3	2N5088	R18	100K
R19	100k	Q4	2N5088	R19	100K
R20	470k			R20	390K
R21	12k	D1	1N4148	R21	12K
R22	4.7k	D2	1N4148	R22	3K3
R23	N/A	D3	1N4148	R23	1M
RLED	4K7	D4	1N4148	RLED	4K7
SUSTAIN	100K	D5817	1N5817		D5817 1N5817
TONE	100K	SUSTAIN	100K	SUSTAIN	A100K
VOLUME	100K	TONE	100K	TONE	B100K
		VOLUME	100K	VOLUME	A100K

# Wiring Diagram

