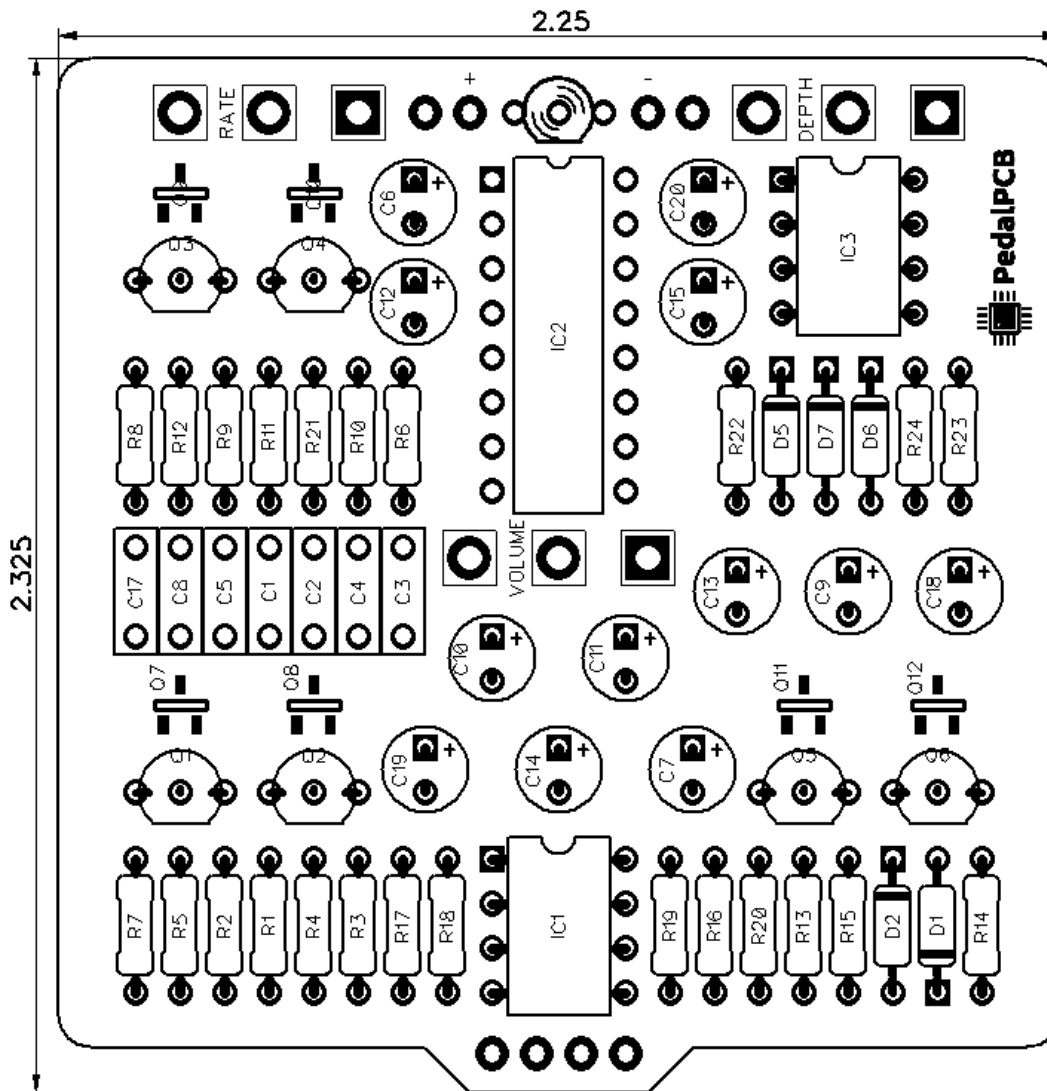




# PedalPCB

## Mesmerizer

Revision 11.17.18



### Controls

- Volume
- Rate
- Depth

All trademarks and registered trademarks are the property of their respective owners. The company, product, and service names used in this web site are for identification purposes only. Use of these names, logos, and brands does not imply endorsement.

**RESISTORS (1/4W)**

R1	1M
R2	1M
R3	1M
R4	1M
R5	4K7
R6	1K
R7	1K
R8	1M
R9	1M
R10	1M
R11	1M
R12	22K
R13	10K
R14	1M
R15	1M
R16	1K
R17	1K
R18	10K
R19	100K
R20	10K
R21	10K
R22	270
R23	10K
R24	10K

**CAPACITORS**

C1	270p
C2	100n
C3	2n2
C4	100n
C5	100n
C6	2u2
C7	2u2
C8	100n
C9	47u
C10	1u
C11	1u
C12	4u7
C13	1u
C14	47u
C15	47u
C17	220p
C18	10u
C19	10u
C20	10u

**INTEGRATED CIRCUITS**

IC1	TL072
IC2	XR2206
IC3	TC1044SCPA

**TRANSISTORS**

*Choose between Through-Hole or SMD*

*Through-Hole*

Q1	2N5485
Q2	2N5485
Q3	2N5485
Q4	2N5485
Q5	2N5457
Q6	2N5457

*SMD*

Q7	MMBF5485
Q8	MMBF5485
Q9	MMBF5485
Q10	MMBF5485
Q11	MMBF5457
Q12	MMBF5457

**DIODES**

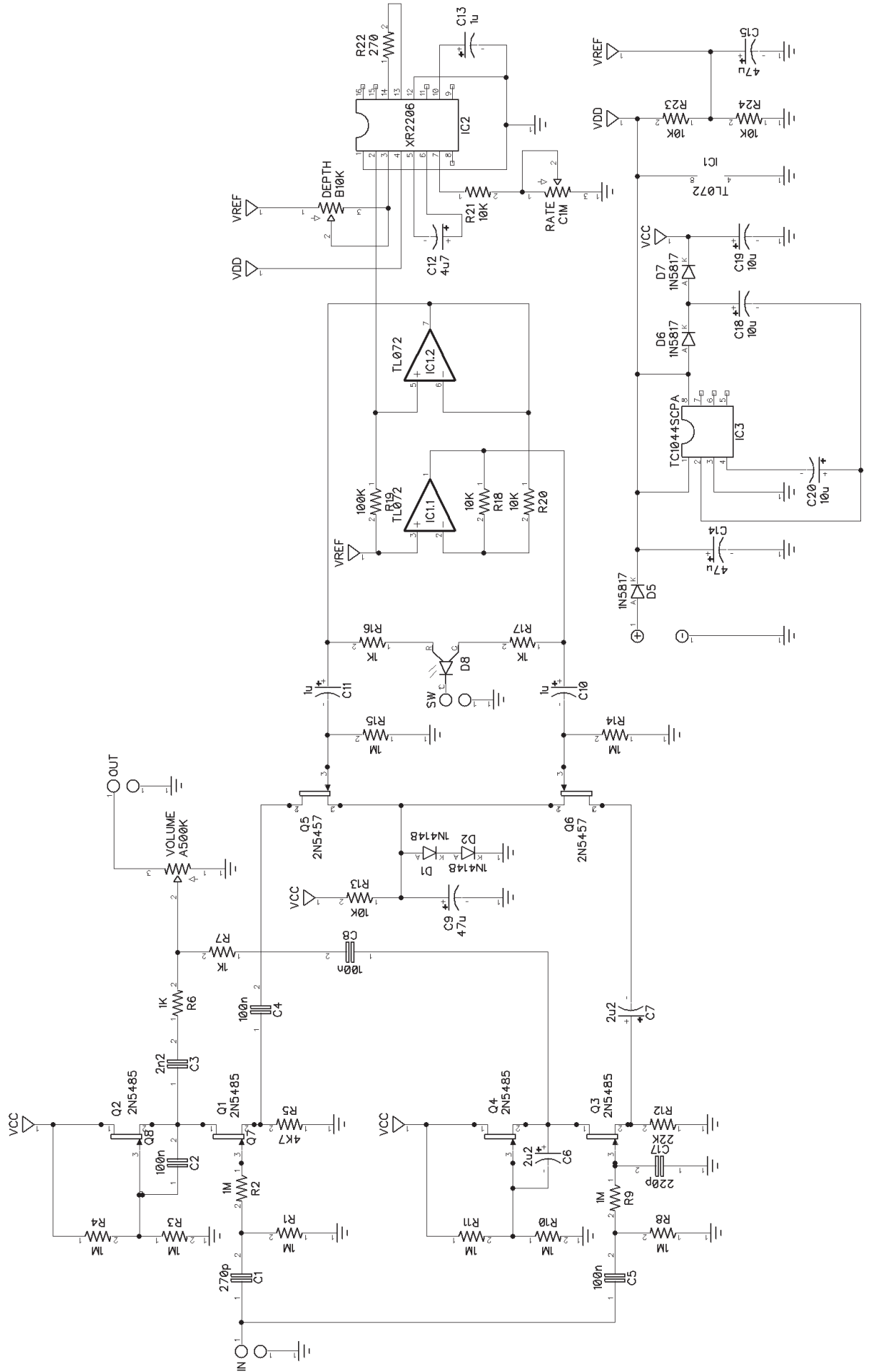
D1	1N4148
D2	1N4148
D5	1N5817
D6	1N5817
D7	1N5817

D8	2-COLOR LED (COMMON ANODE)
----	-------------------------------

**POTENTIOMETERS**

DEPTH	B10K
RATE	C1M
VOLUME	A500K

# Mesmerizer





# Mesmerizer

Drill Template  
125B enclosure with top mounted jacks

