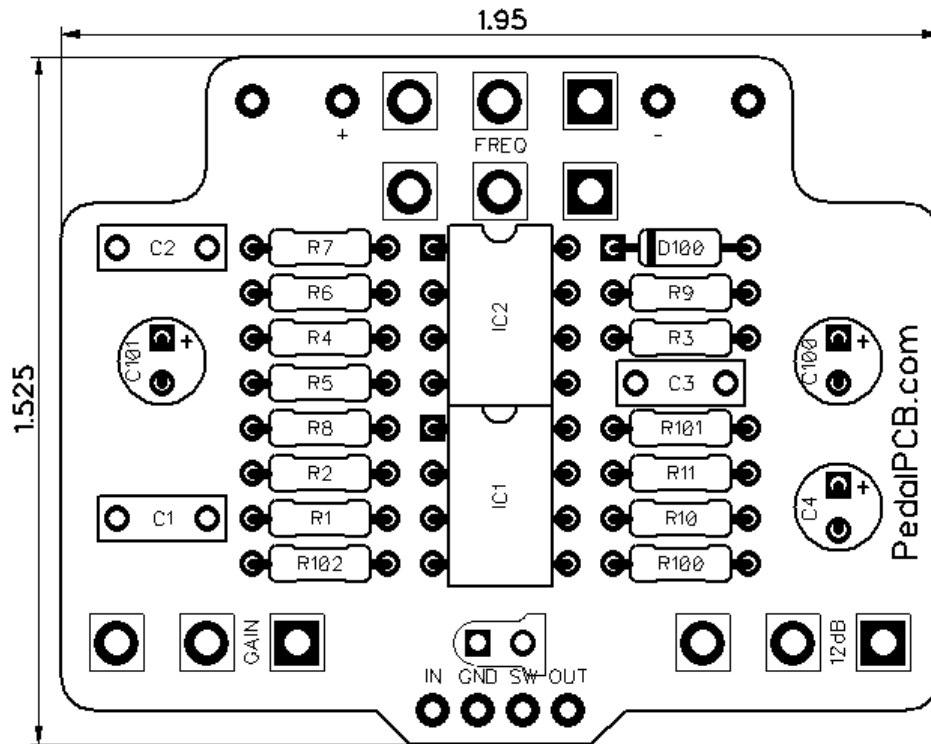


Mercurial Boost

Revision 05.23.18



Resistors

R1	200K
R2	6K8
R3	6K8
R4	47K
R5	47K
R6	10K
R7	4K7
R8	4K7
R9	10K
R10	10K
R11	OMIT
R100	4K7
R101	10K
R102	10K

Capacitors

C1	56n
C2	22n
C3	22n
C4	1u
C100	100u
C101	47u

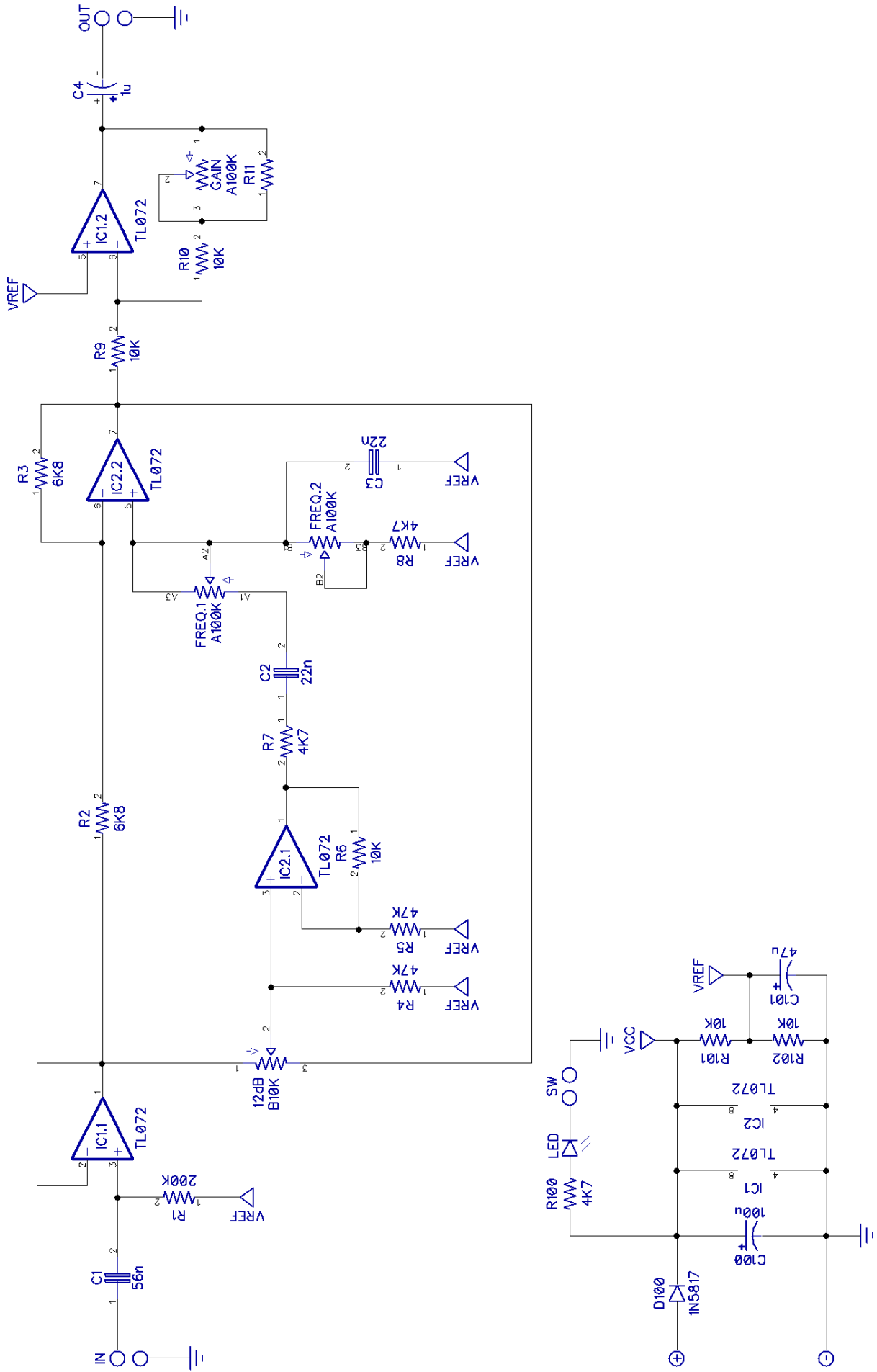
Semiconductors

IC1	TL072
IC2	TL072
D100	1N5817

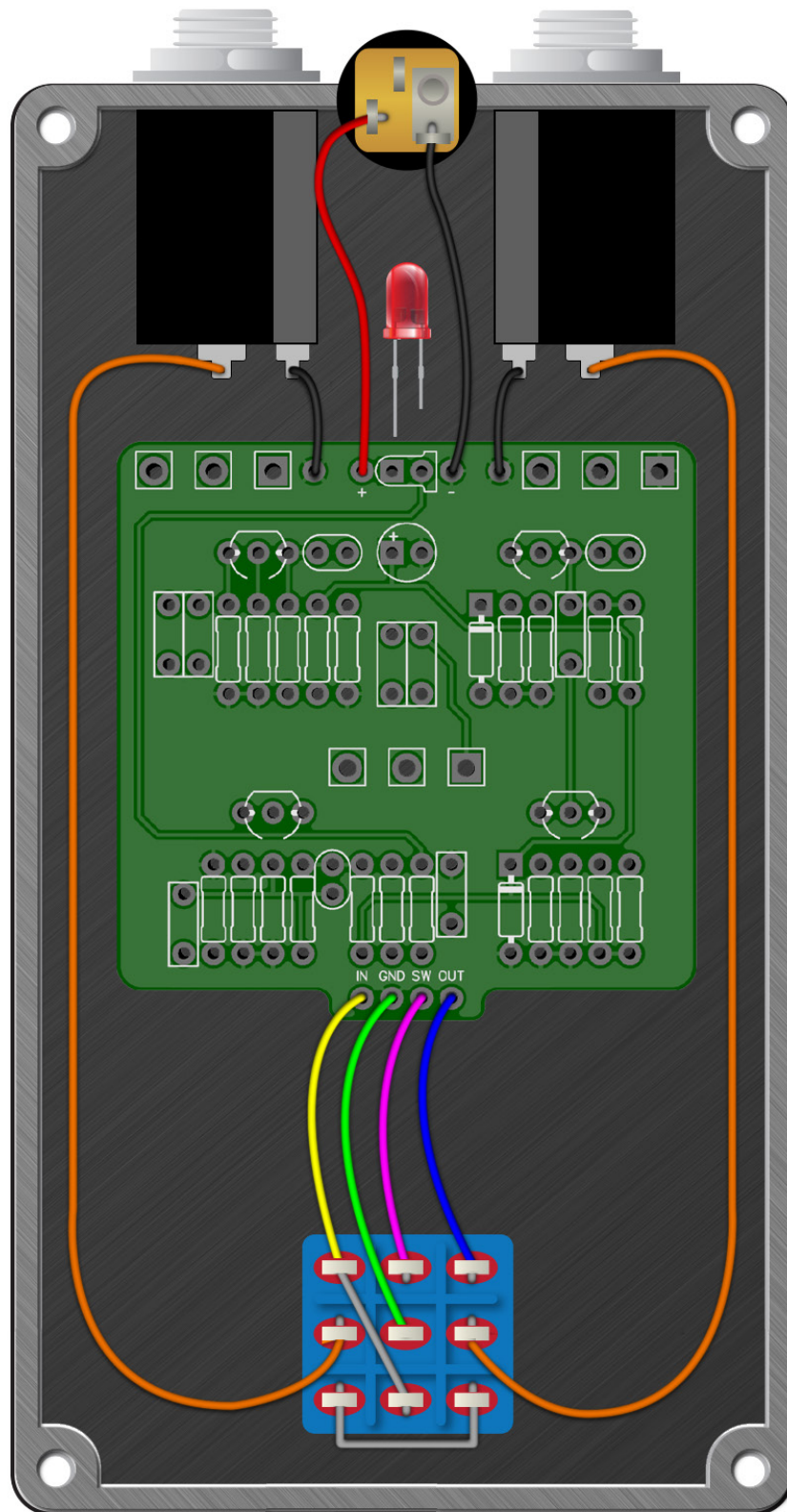
Potentiometers

FREQ	A100K (Dual)
GAIN	A100K
12dB	B10K

Mercurial Boost



Wiring Diagram



Drill Template

4S125B enclosure with top mounted jacks

