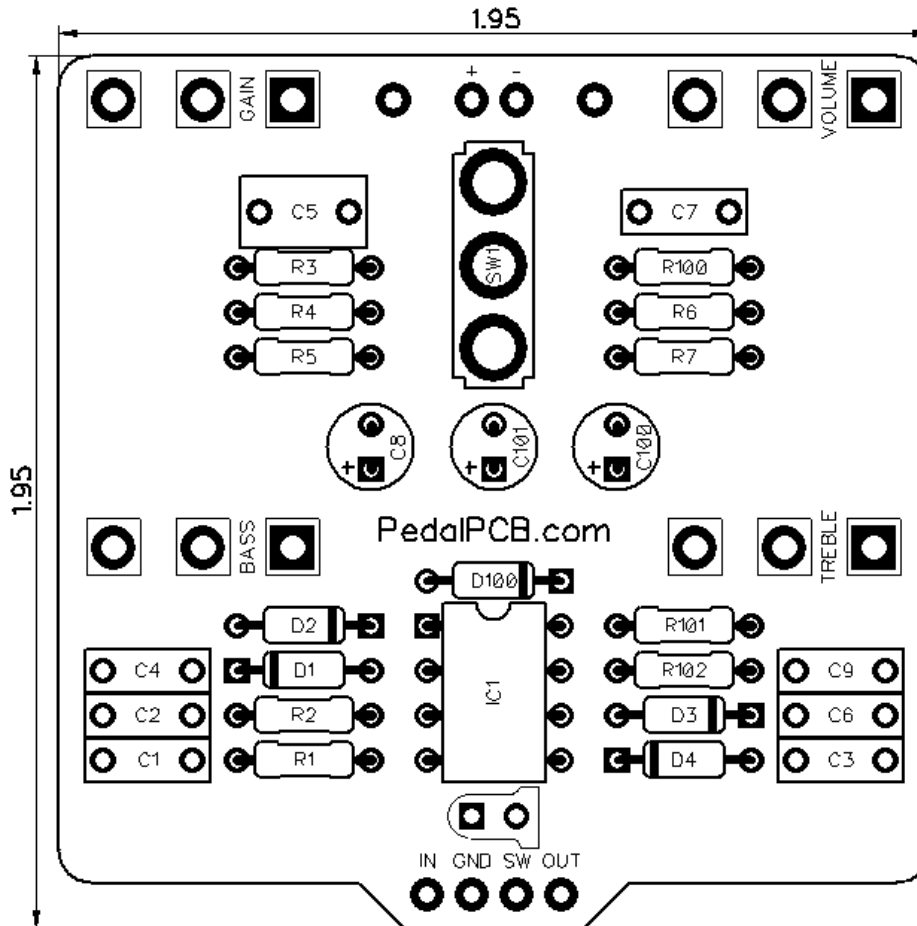




# PedalPCB

## Mammal

Revision 10.08.18



### Controls

- **Volume** - Controls the overall output volume
- **Gain** - Controls the amount of signal gain
- **Treble** - Adjusts the treble content
- **Bass** - Adjusts the bass content
- **Bark (toggle switch)** - Modifies frequency emphasis

All trademarks and registered trademarks are the property of their respective owners. The company, product, and service names used in this web site are for identification purposes only. Use of these names, logos, and brands does not imply endorsement.

**RESISTORS**

R1 1M  
R2 470K  
R3 4K7  
R4 820  
R5 47K  
R6 470  
R7 1K  
R100 4K7  
R101 47K  
R102 47K

**POTENTIOMETERS**

VOLUME B100K  
GAIN A500K  
TREBLE B10K  
BASS C50K

**CAPACITORS**

C1 220p  
C2 150n  
C3 22p  
C4 100n  
C5 470n  
C6 220n  
C7 100n  
C8 4u7  
C9 47n  
C100 47u  
C101 47u

**SWITCHES**

SW1 (Snarl) SPDT Toggle

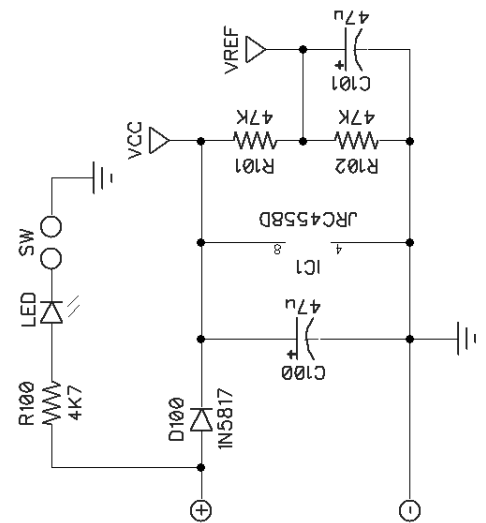
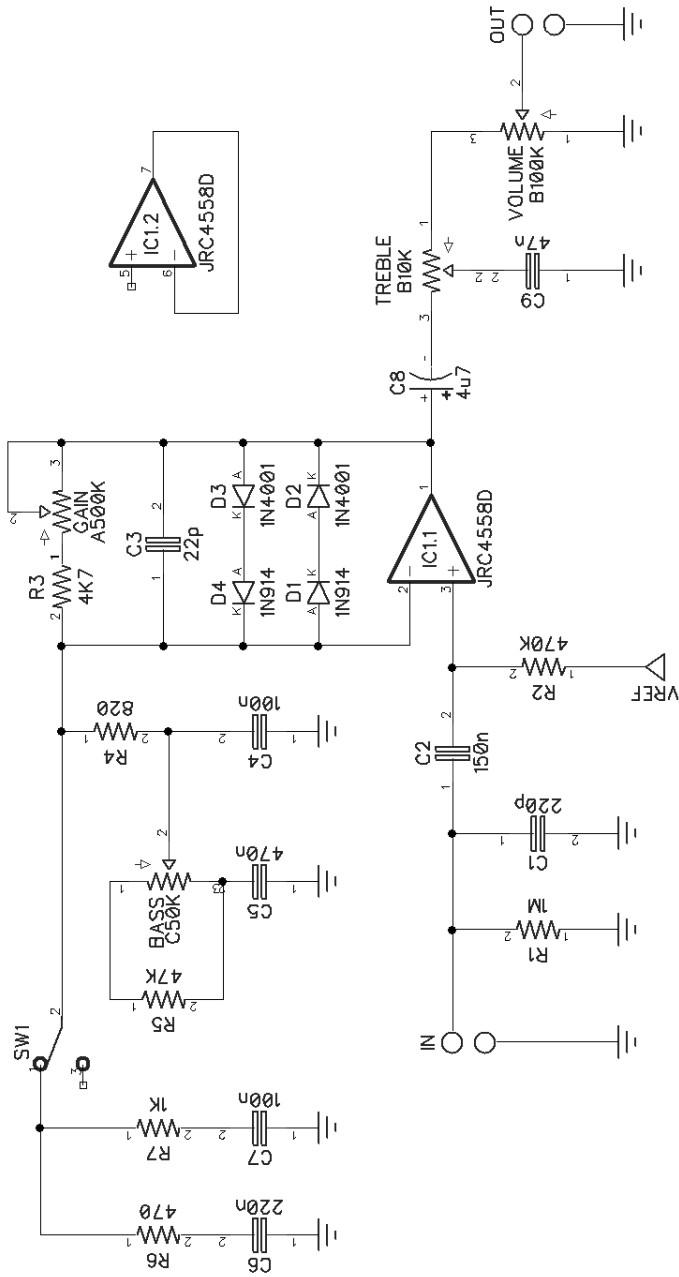
**INTEGRATED CIRCUITS**

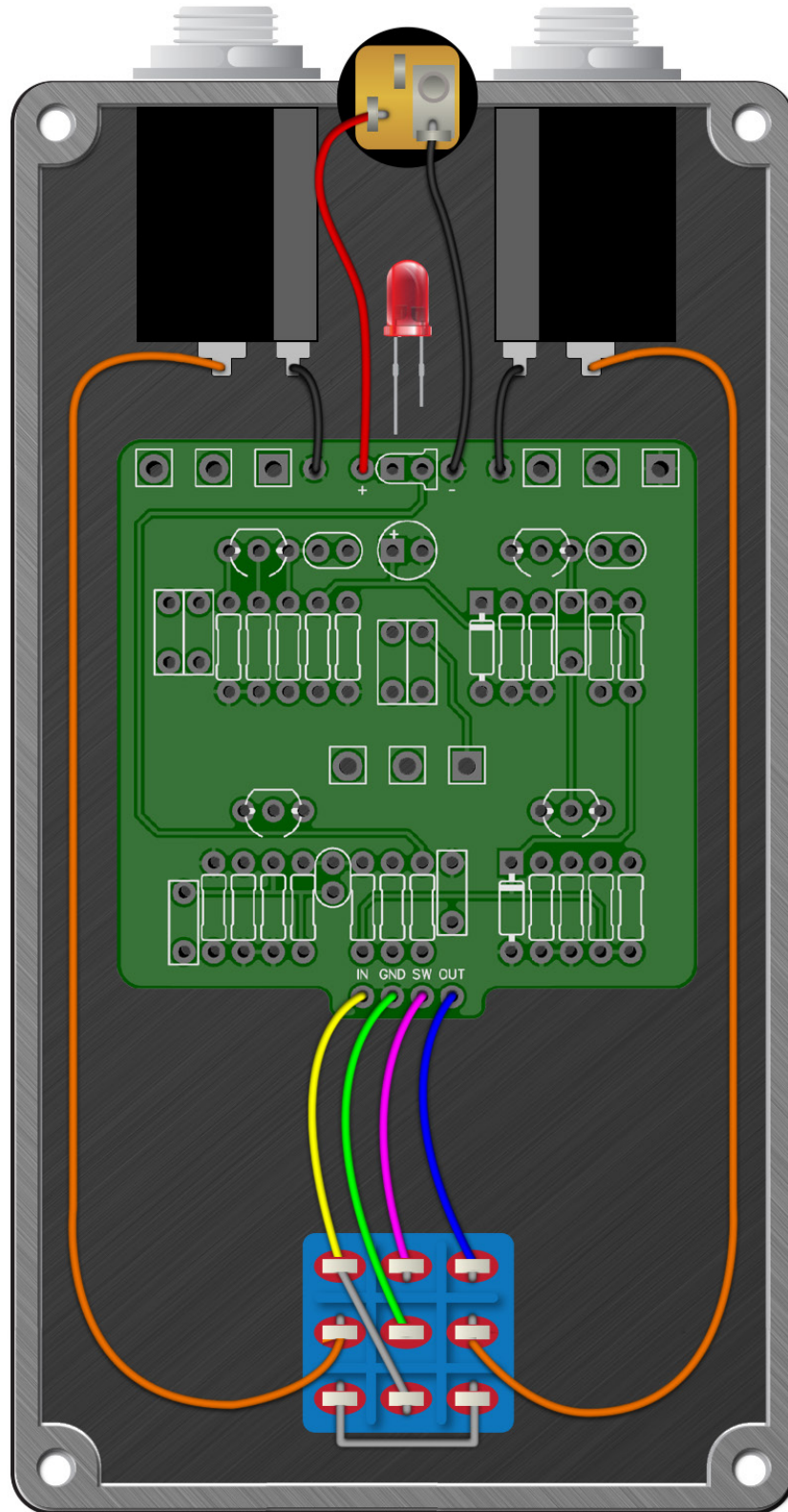
IC1 JRC4558D

**DIODES**

D1 1N914  
D2 1N4001  
D3 1N4001  
D4 1N914  
D100 1N5817

# Mammal





# Mammal

Drill Template  
125B enclosure with top mounted jacks

