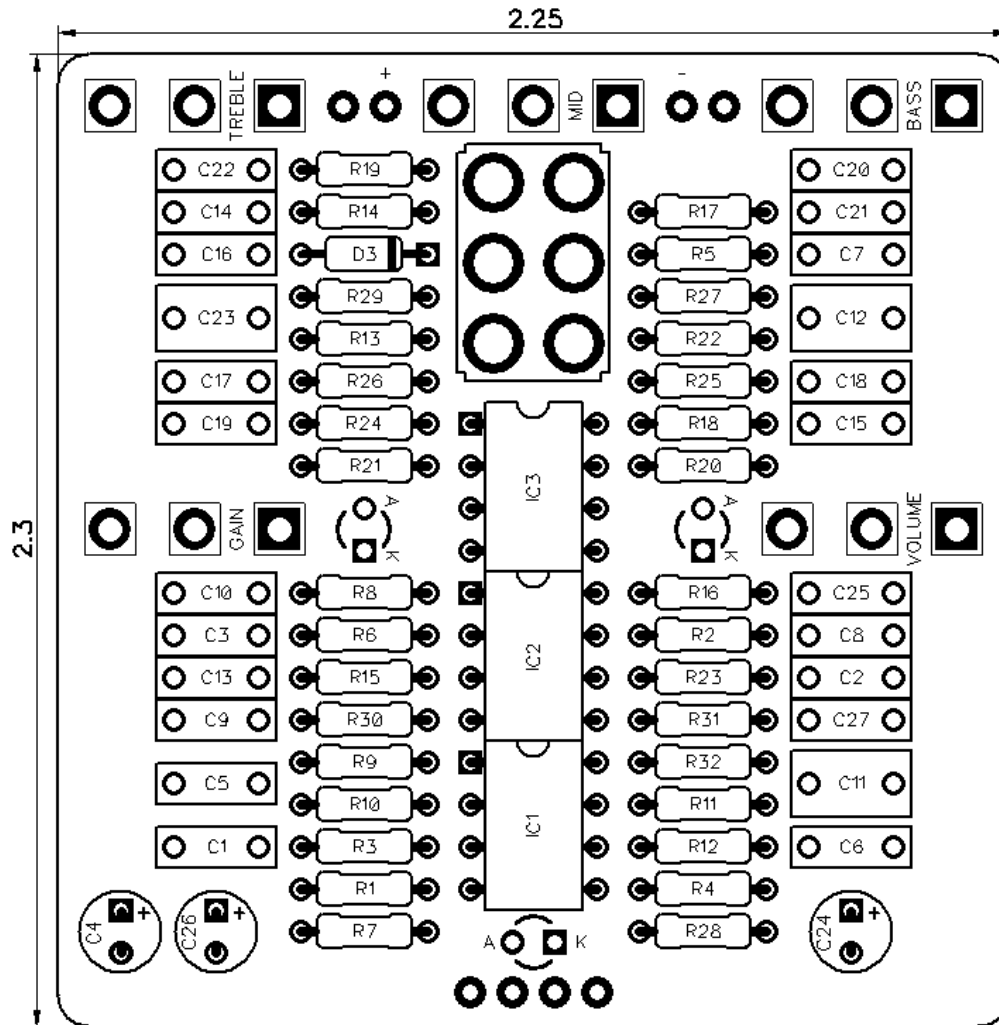


PedalPCB

Malachite Overdrive

Revision 08.12.20



Controls

- Volume
- Gain
- Treble
- Mid
- Bass
- Character (Toggle Switch)

All trademarks and registered trademarks are the property of their respective owners. The company, product, and service names used in this web site are for identification purposes only. Use of these names, logos, and brands does not imply endorsement.

RESISTORS (1/4W)

R1	470K
R2	33K
R3	10K
R4	10K
R5	4K7
R6	10K
R7	1M
R8	22K
R9	82K
R10	47K
R11	33K
R12	56K
R13	82K
R14	22K
R15	470K
R16	1K5
R17	56K
R18	2K
R19	100K
R20	470K
R21	10K
R22	4K7
R23	15K
R24	22K
R25	22K
R26	1M
R27	2K
R28	4K7
R29	10R
R30	20K
R31	1K5
R32	20K

CAPACITORS

C1	22n
C2	4n7
C3	22n
C4	4u7
C5	47p
C6	1n
C7	10n
C8	2n2
C9	120p
C10	120p
C11	220n
C12	220n
C13	10n
C14	1n
C15	47p
C16	2n2
C17	10n
C18	10n
C19	2n2
C20	47n
C21	100n
C22	47n
C23	220n
C24	100u
C25	100n
C26	22u
C27	100p

INTEGRATED CIRCUITS

IC1	TL072
IC2	TL072
IC3	TL072

DIODES

D1	3mm Red LED
D2	3mm Red LED
D3	1N5817

POTENTIOMETERS

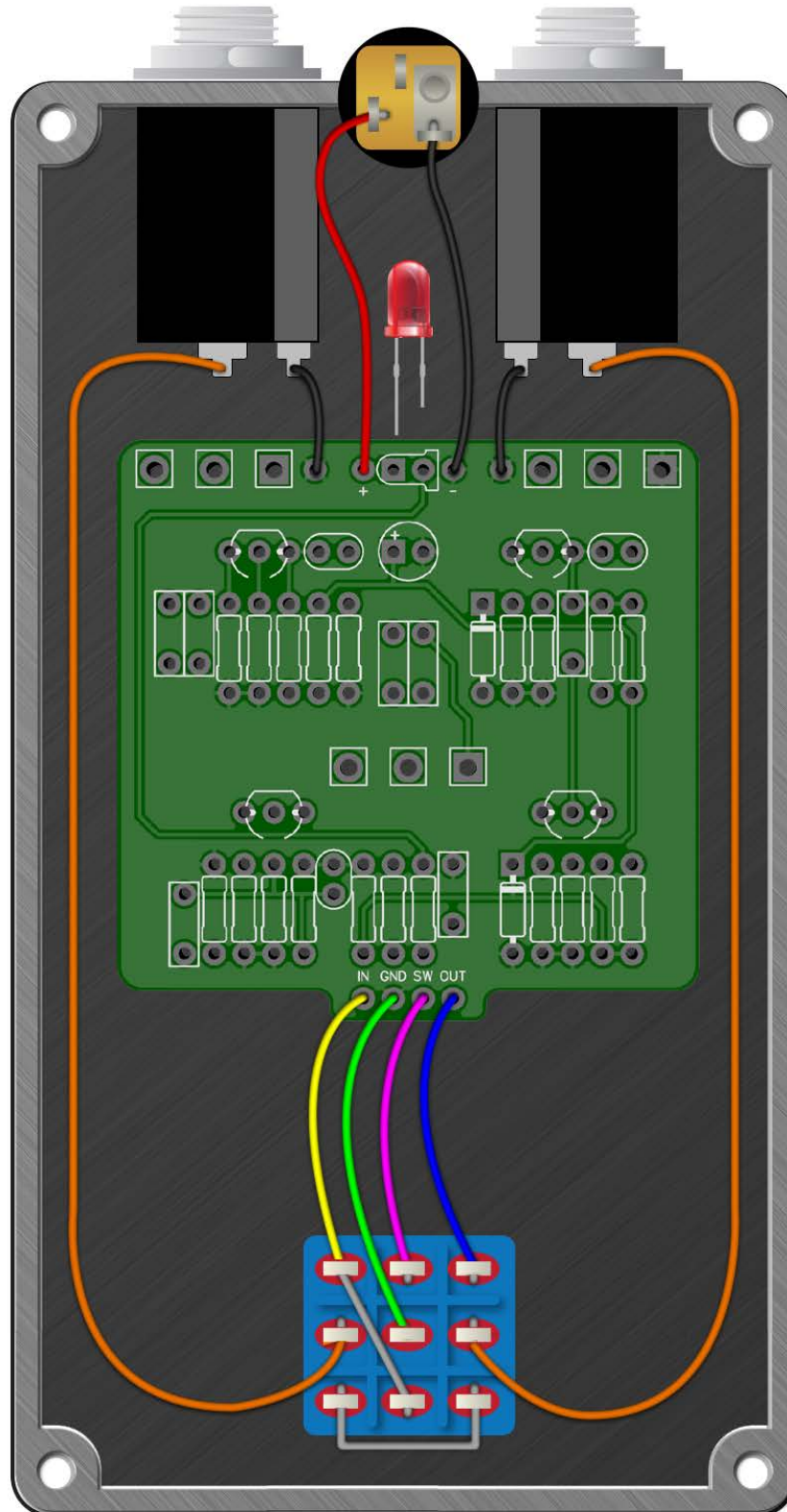
VOLUME	A50K
GAIN	B1M
TREBLE	A50K
MID	B100K
BASS	A100K

SWITCHES

SW1	DPDT Toggle (On/Off/On)
-----	-------------------------

Malachite Overdrive

Wiring Diagram



Malachite Overdrive

Drill Template
125B Enclosure

