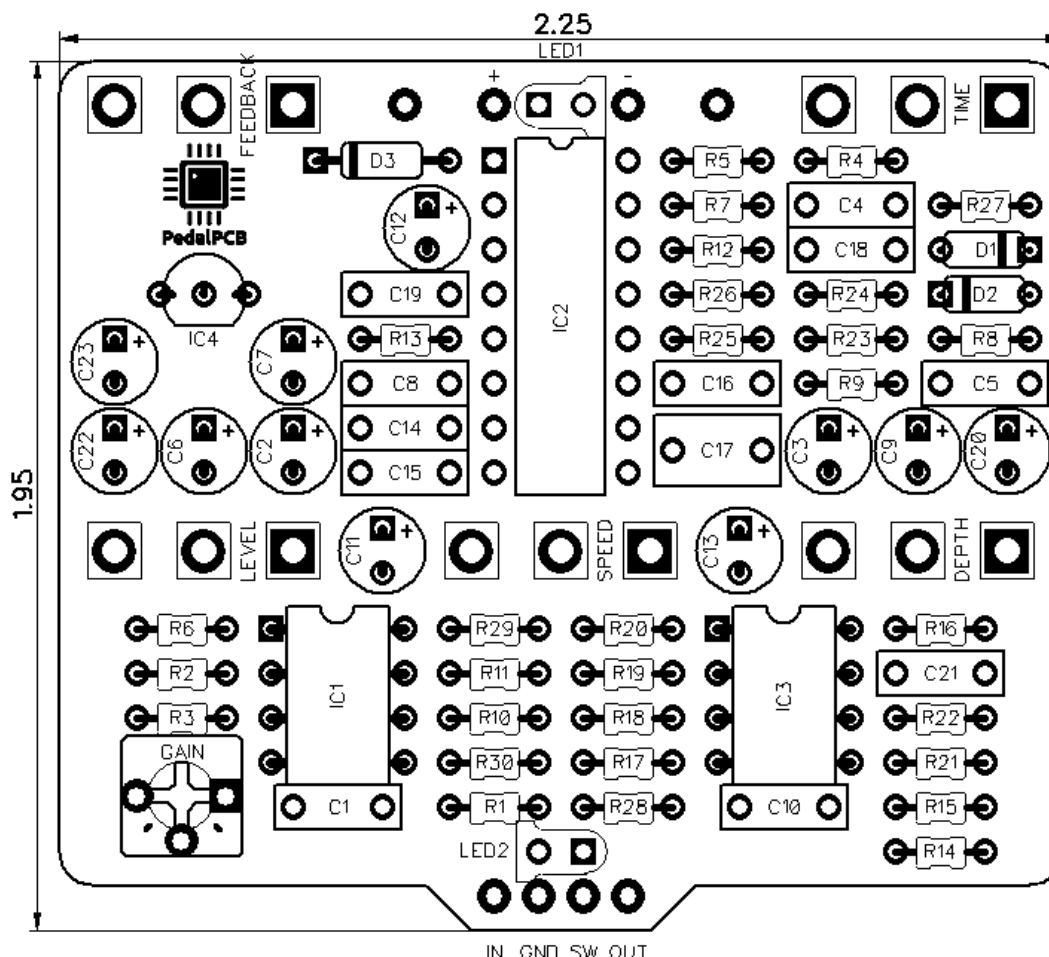




# PedalPCB

## Magnetron Delay

Revision 10.13.20



### Controls

- **Time** - Adjusts the amount of delay time
- **Feedback** - Controls the level of delay feedback (repeats)
- **Level** - Controls the delayed signal volume
- **Speed** - Adjusts the modulation LFO speed
- **Depth** - Adjusts the modulation LFO depth
- **Gain (internal trim)** - Adjusts the input gain

All trademarks and registered trademarks are the property of their respective owners. The company, product, and service names used in this web site are for identification purposes only. Use of these names, logos, and brands does not imply endorsement.

# Magnetron Delay

## Parts List

### RESISTORS (1/8W)

R1 1M  
R2 100K  
R3 47K  
R4 10K  
R5 10K  
R6 10K  
R7 10K  
R8 10K  
R9 1K  
R10 10K  
R11 12K  
R12 15K  
R13 10K  
R14 1K  
R15 100K  
R16 120K  
R17 220K  
R18 220K  
R19 220K  
R20 4K7  
R21 120K  
R22 100K  
R23 4K7  
R24 1K  
R25 10K  
R26 10K  
R27 4K7  
R28 4K7  
R29 47K  
R30 47K

### CAPACITORS

C1 100n  
C2 1u  
C3 1u  
C4 2n2  
C5 47n  
C6 1u  
C7 1u  
C8 22n  
C9 1u  
C10 10n  
C11 10u  
C12 47u  
C13 4u7  
C14 100n  
C15 100n  
C16 100n  
C17 330n  
C18 22n  
C19 2n2  
C20 100u  
C21 100n  
C22 47u  
C23 100u

### INTEGRATED CIRCUITS

IC1 OPA2134  
IC2 PT2399  
IC3 LM358N  
IC4 L78L05

### DIODES

D1 1N4148  
D2 1N4148  
D3 1N5817  
LED1 Active/Bypass Indicator  
LED2 LFO Indicator

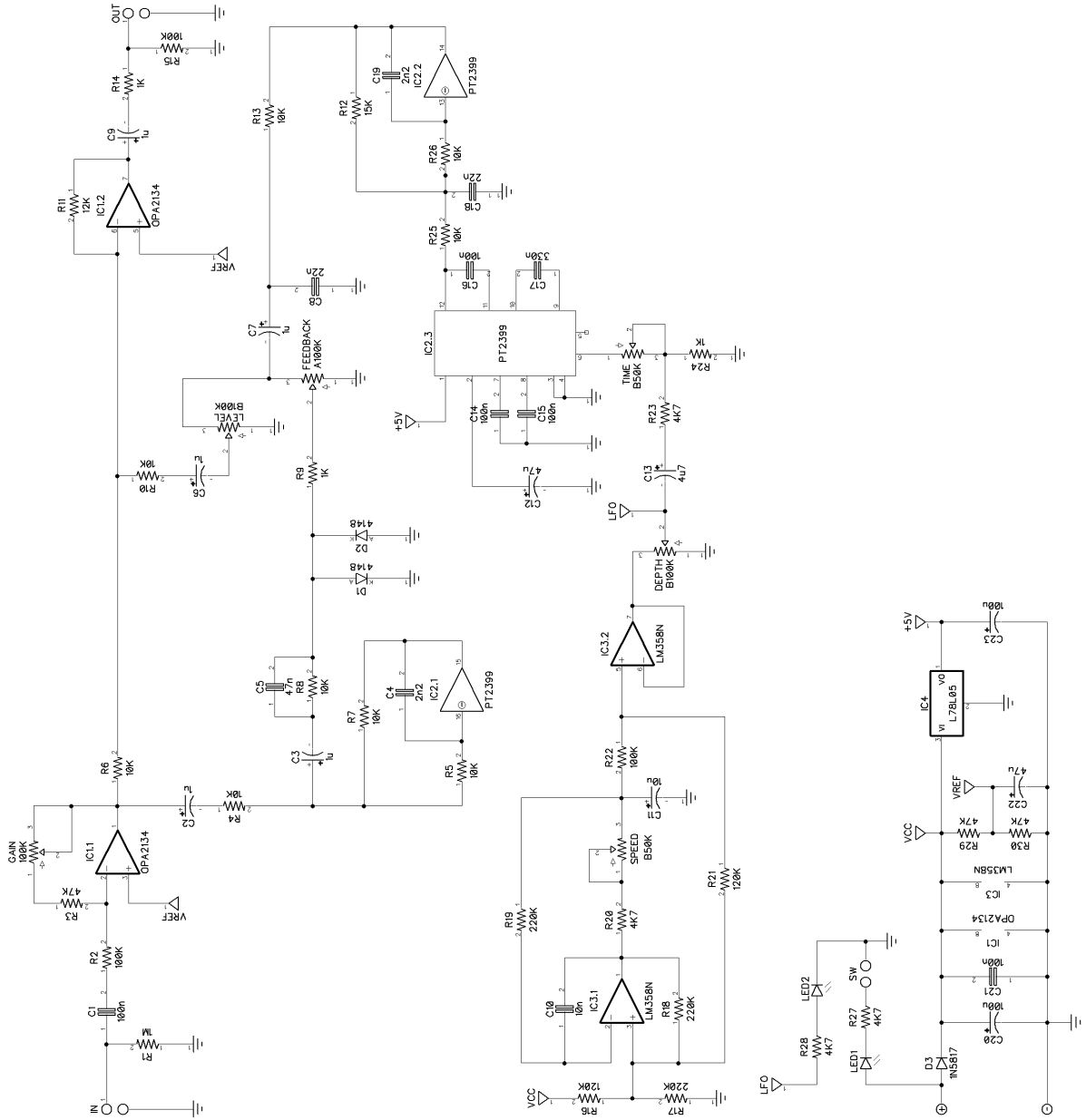
### POTENTIOMETERS

TIME B50K  
FEEDBACK A100K  
LEVEL B100K  
SPEED B50K  
DEPTH B100K

### TRIM POTS (3362P)

GAIN 100K

# Magnetron Delay



# Magnetron Delay

Wiring Diagram



# Magnetron Delay

Drill Template  
125B enclosure with top mounted jacks

