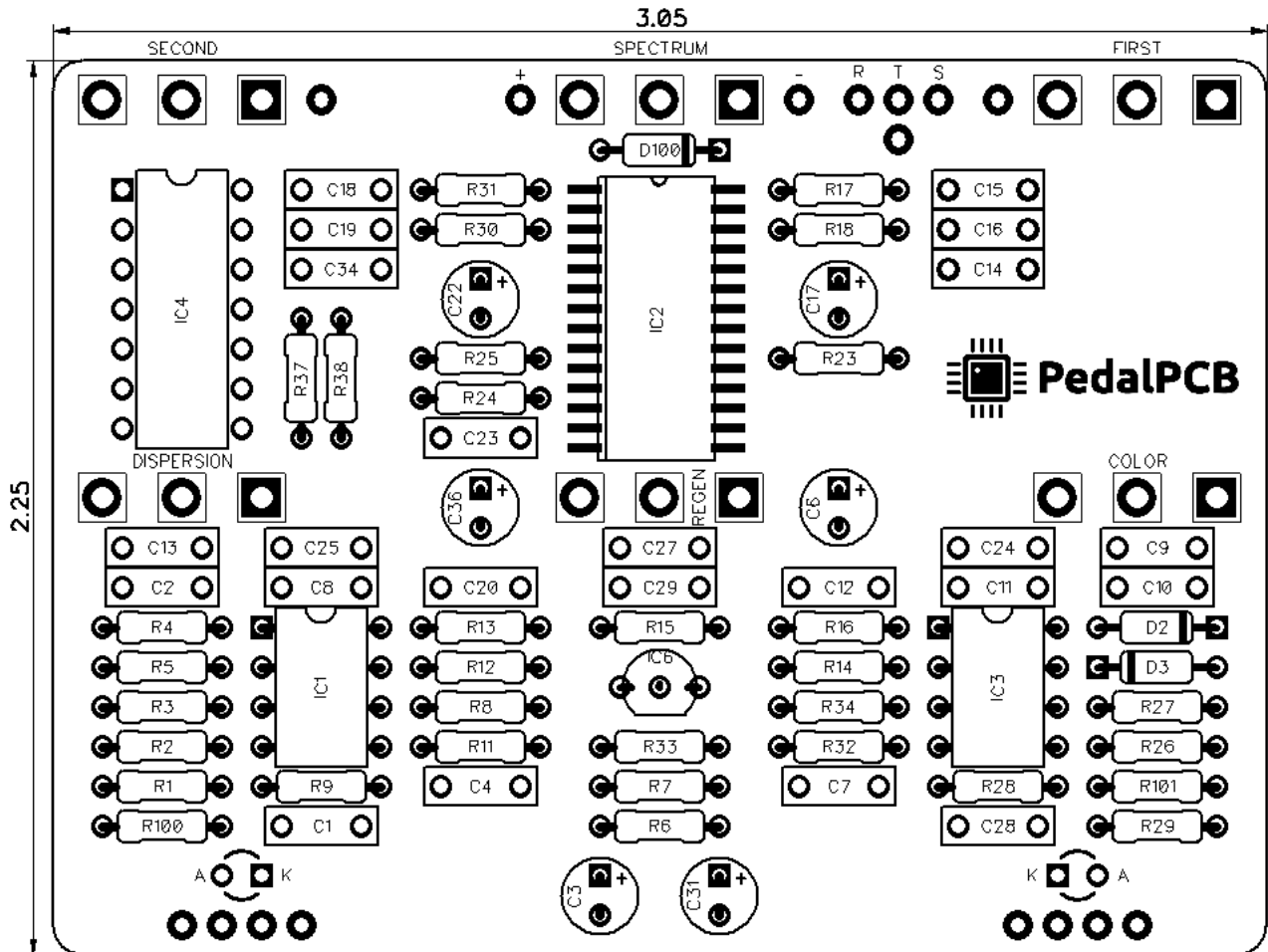




# PedalPCB

## Leprechaun

Revision 07.26.19



### Controls

- **First Order**
- **Spectrum**
- **Second Order**
- **Color**
- **Regeneration**
- **Dispersion**
  
- **Active/By[ass** (Footswitch)
- **Regeneration** (Footswitch)

All trademarks and registered trademarks are the property of their respective owners. The company, product, and service names used in this web site are for identification purposes only. Use of these names, logos, and brands does not imply endorsement.

**RESISTORS (1/4W)**

R1 1M  
 R2 1K  
 R3 1M  
 R4 10K  
 R5 4K7  
 R6 10K  
 R7 10K  
 R8 1K  
 R9 100K  
 R11 47K  
 R12 10K  
 R13 10K  
 R14 10K  
 R15 10K  
 R16 10K  
 R17 1K  
 R18 1K  
 R23 100R  
 R24 1K  
 R25 1K  
 R26 10K  
 R27 10K  
 R28 10K  
 R29 10K  
 R30 1K  
 R31 1K  
 R32 10K  
 R33 15K  
 R34 10K  
 R37 4K7  
 R38 10K  
 R100 4K7  
 R101 4K7

**CAPACITORS**

C1 100p  
 C2 100n  
 C3 10u  
 C4 1u (MLCC)  
 C6 100u  
 C7 100n  
 C8 1u (MLCC)  
 C9 1u (MLCC)  
 C10 47n  
 C11 1u (MLCC)  
 C12 1n  
 C13 1u (MLCC)  
 C14 1u (MLCC)  
 C15 1u (MLCC)  
 C16 1u (MLCC)  
 C17 10u  
 C18 1n  
 C19 1n  
 C20 100n  
 C22 10u  
 C23 1u (MLCC)  
 C24 1u (MLCC)  
 C25 1u (MLCC)  
 C27 2n2  
 C28 1u (MLCC)  
 C29 1u (MLCC)  
 C31 1u (Electrolytic)  
 C34 1n  
 C36 100u

**INTEGRATED CIRCUITS**

IC1 TL072  
 IC2 Spin FV-1  
 IC3 TL072  
 IC4 CD4069UB  
 IC6 L78L33

**DIODES**

D2 1N4148  
 D3 1N4148  
 D100 1N5817

**POTENTIOMETERS**

FIRST	B10K
SECOND	B10K
SPECTRUM	B50K
COLOR	B10K
DISPERSION	B25K
REGENERATION	B25K

**JACKS**

EXPRESSION (Switching TRS)

**FOOTSWITCHES**

ACTIVE/BYPASS	3PDT
REGENERATION	3PDT



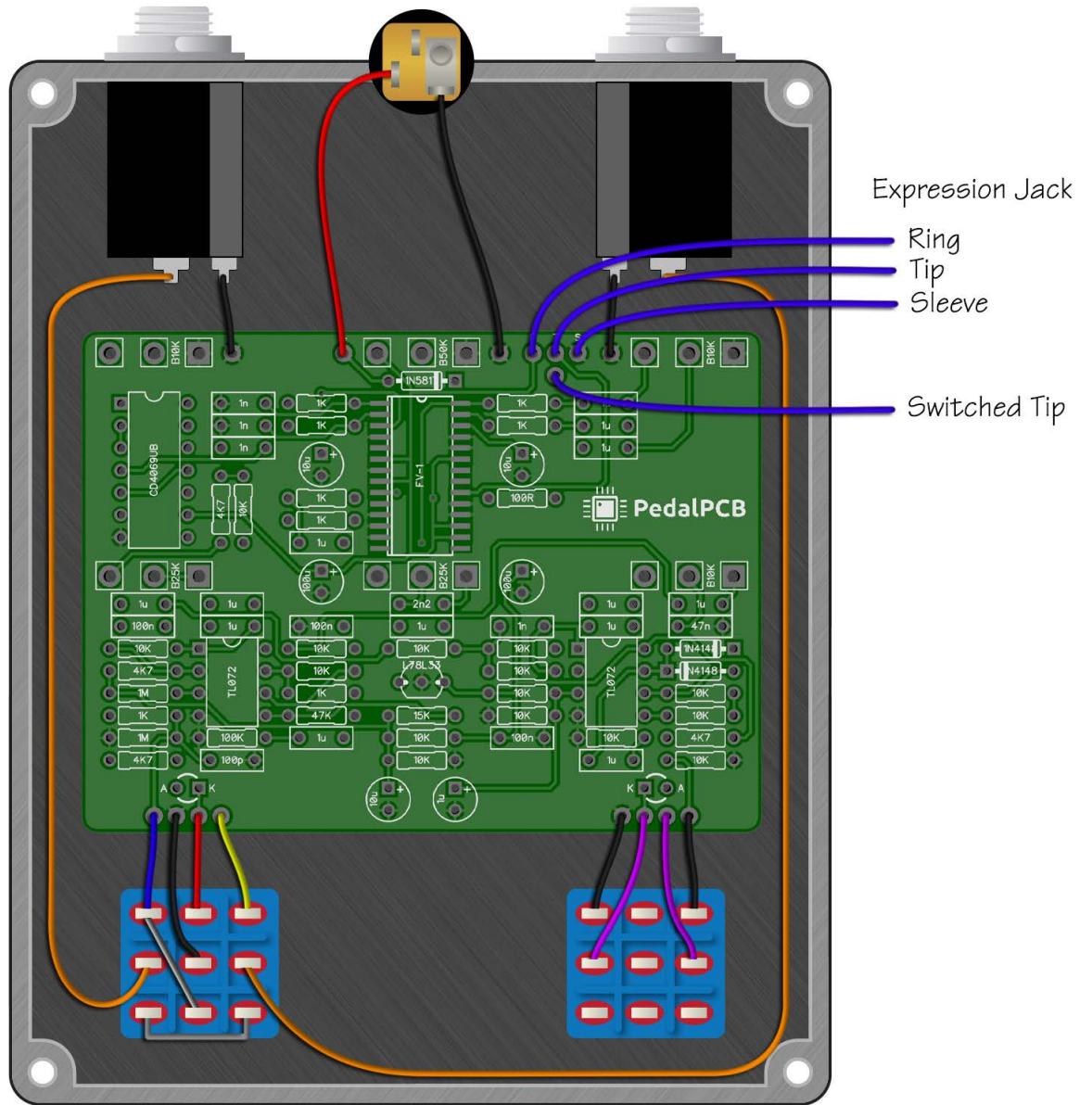
PedalPCB

# Leprechaun

# Schematic Coming Soon...

# Leprechaun

Wiring Diagram  
(With Expression Input Jack)

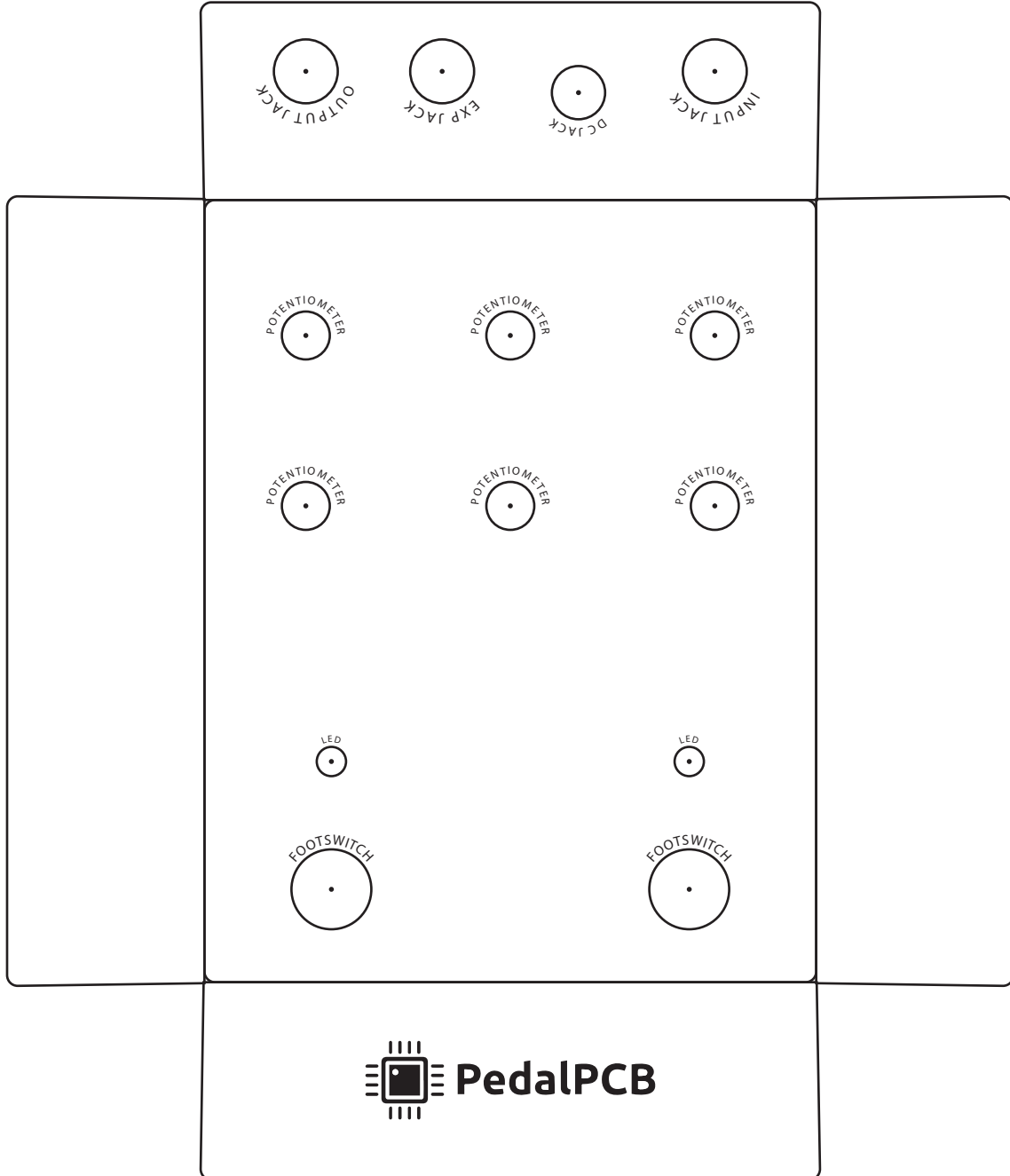




# Leprechaun

Drill Template

1590BB enclosure with top mounted jacks  
(With Expression Input Jack)



# Leprechaun

Drill Template

1590BB enclosure with top mounted jacks  
(**Without** Expression Input Jack)

