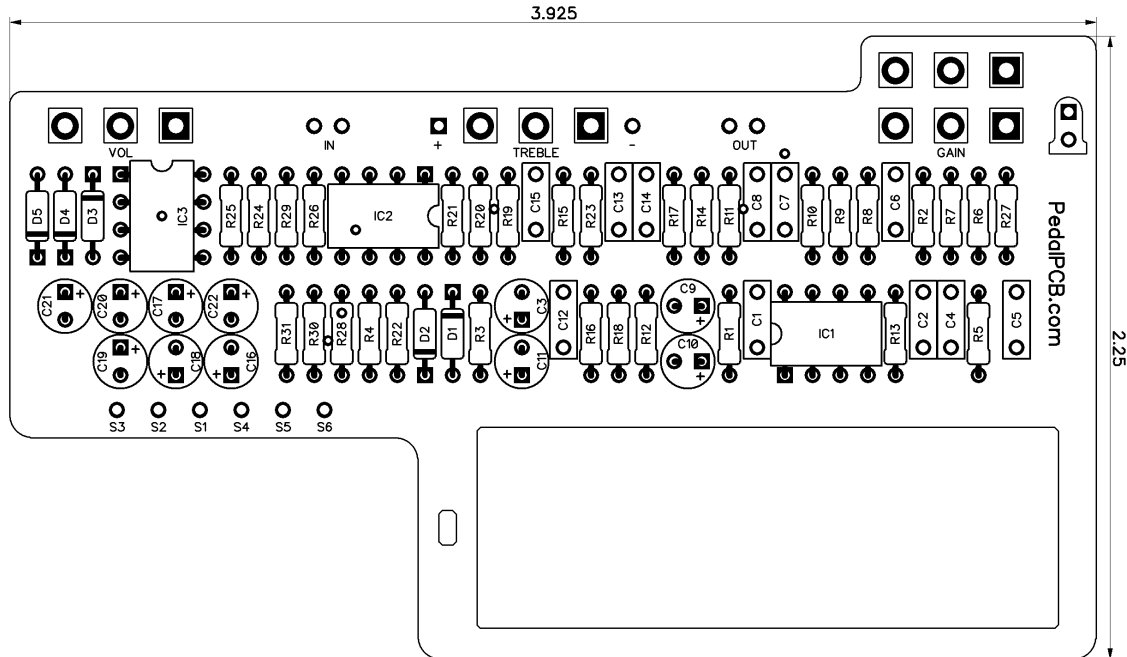


Klone Overdrive

Revision 08.06.17



Resistors (1/4W)

R1	10K	R24	560Ω
R2	1M	R25	27K
R3	100K	R26	27K
R4	560Ω	R27	3K9
R5	5K1	R28	68K
R6	1K5	R29	68K
R7	1K	R30	100K
R8	10K	R31	1M
R9	2K		
R10	15K		
R11	422K		
R12	1K		
R13	1K5		
R14	15K		
R15	47K		
R16	22K		
R17	27K		
R18	12K		
R19	392K		
R20	1K8		
R21	100K		
R22	100K		
R23	4K7		

Capacitors

C1	100n
C2	100n
C3	4u7
C4	68n
C5	390n
C6	68n
C7	82n
C8	390p
C9	1u
C10	1u
C11	1u
C12	2n2
C13	27n
C14	820p
C15	3n9
C16	4u7
C17	47u
C18	1u
C19	1u
C20	1u
C21	1u
C22	47u

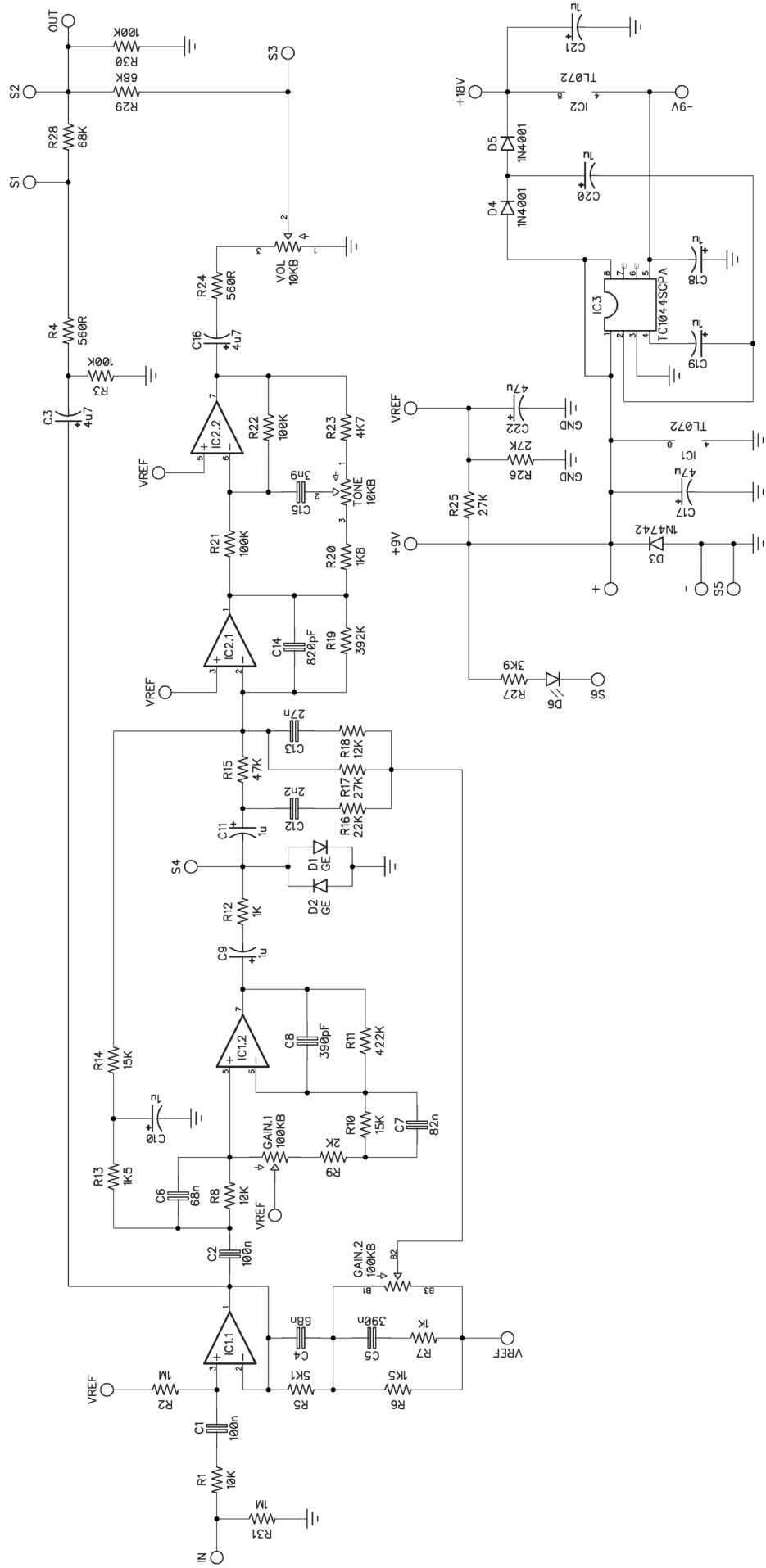
Semiconductors

IC1	TL072
IC2	TL072
IC3	TC1044SCPA
D1	GE
D2	GE
D3	1N4742
D4	1N4001
D5	1N4001
D6	LED

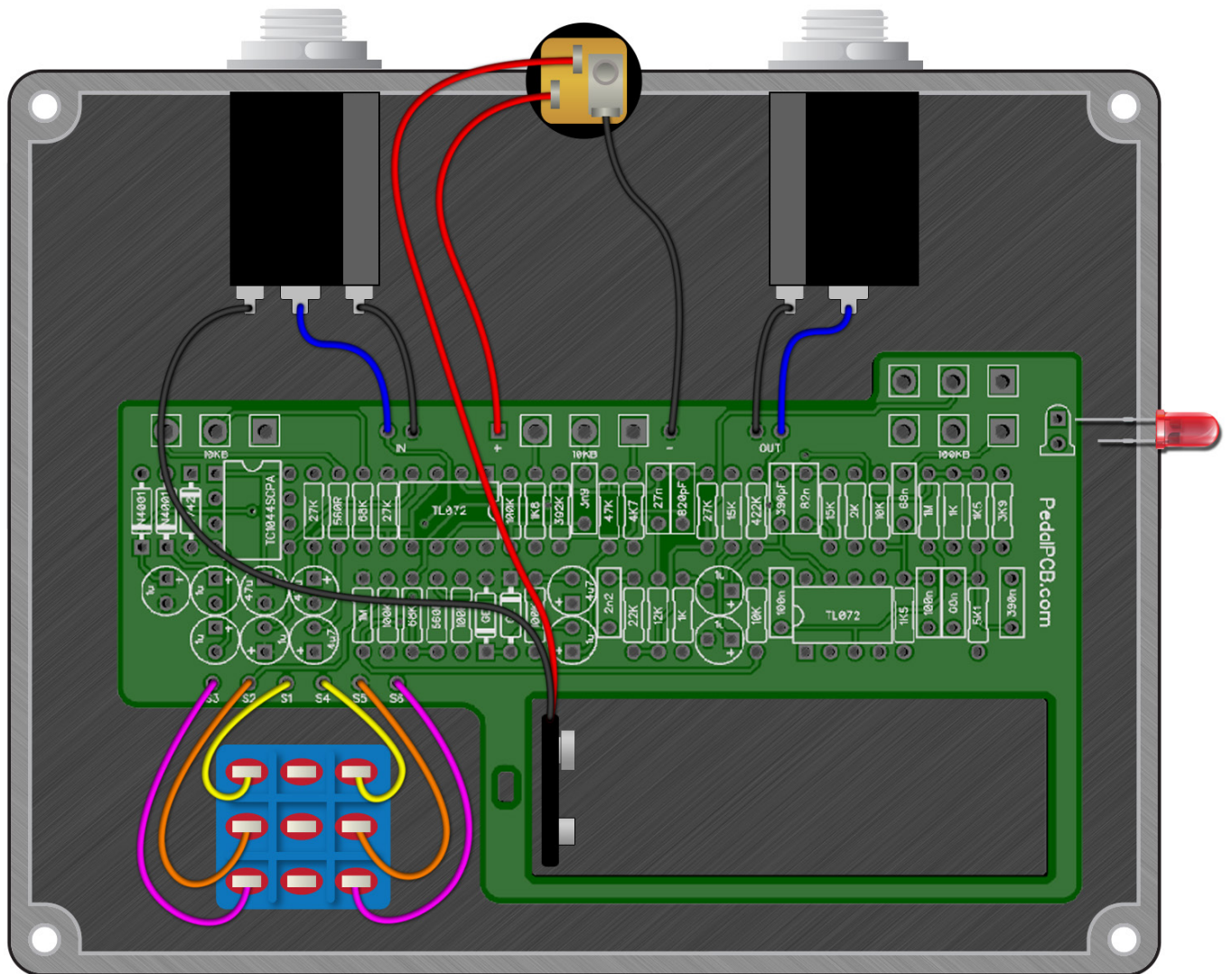
Potentiometers

VOLUME	B10K
TREBLE	B10K
GAIN	B100K Dual

Klone Overdrive

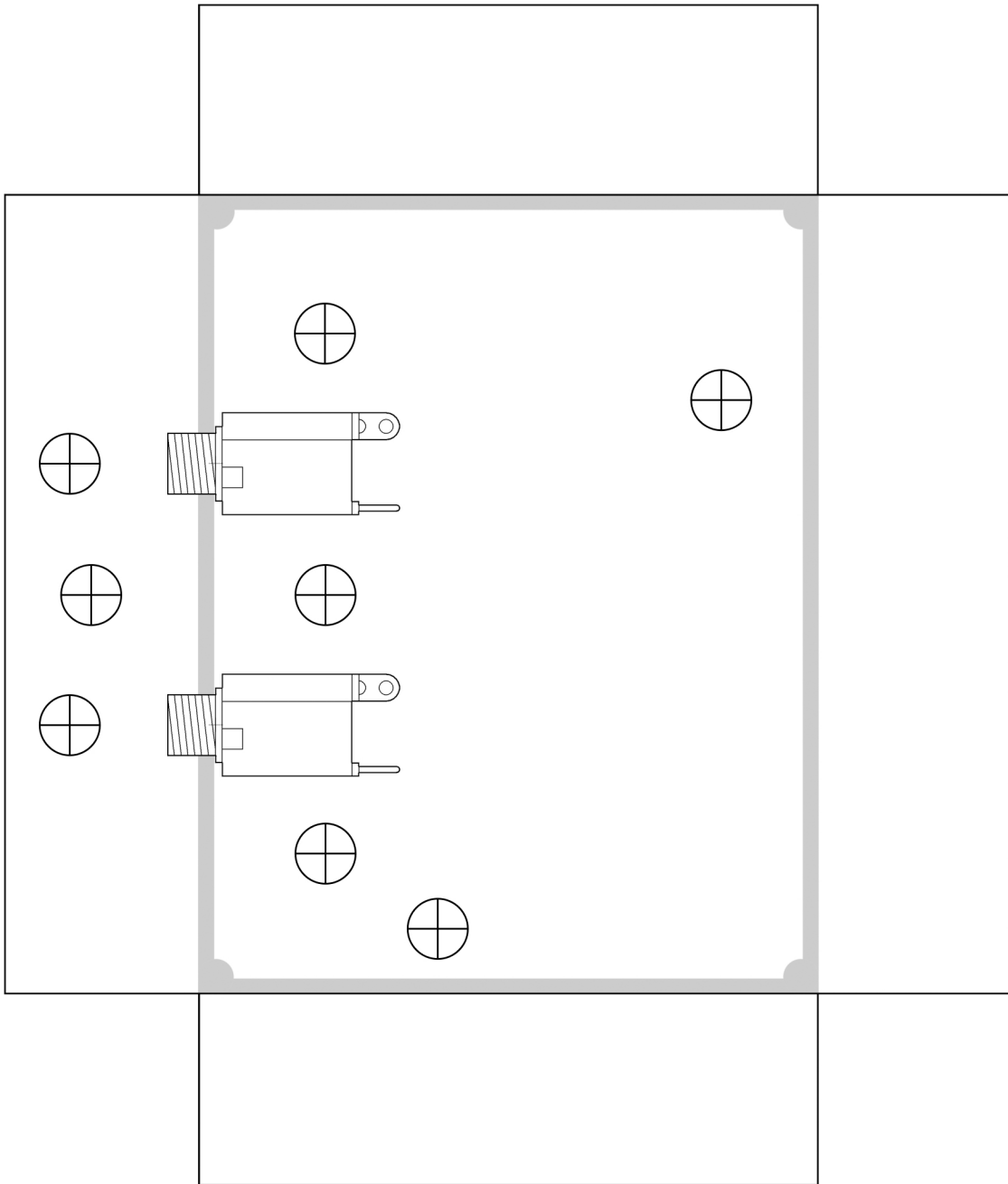


Wiring Diagram



Drill Template

1590BB Enclosure



Bill of Materials

Resistors (1/4W)

2 x 560Ω
2 x 1K
2 x 1K5
1 x 1K8
1 x 2K
1 x 3K9
1 x 4K7
1 x 5K1
2 x 10K
1 x 12K
2 x 15K
1 x 22K
3 x 27K
1 x 47K
2 x 68K
4 x 100K
1 x 392K
1 x 422K
2 x 1M

Capacitors

1 x 390pF
1 x 820pF

1 x 2n2
1 x 3n9
1 x 27n
2 x 68n
1 x 82n
2 x 100n
1 x 390n

7 x 1u
2 x 4u7
2 x 47u

Semiconductors

2 x TL072
1 x TC1044SCPA

1 x 1N4742
2 x 1N4001
1 x LED

2 x Ge Diode
(1N34A, 1N270, D9E)

Potentiometers

2 x B10K
1 x B100K DUAL