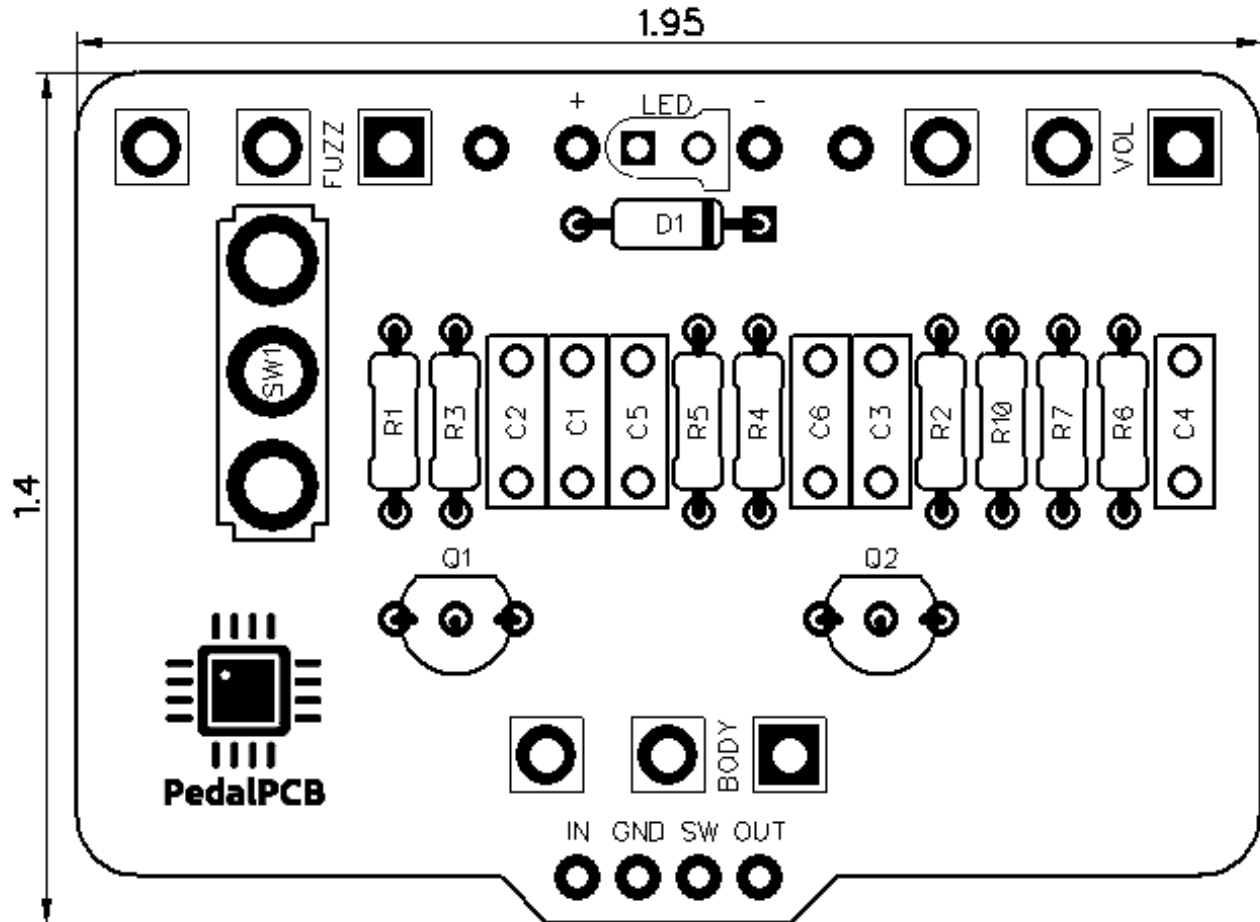


Kazoo Fuzz

Revision 03.03.18



Resistors

R1	2.2K
R2	4.7K
R3	4.7M
R4	22K
R5	1M
R6	47K
R7	100K
R10	1K

Capacitors

C1	47nF
C2	1nF
C3	47nF
C4	47nF
C5	1nF
C6	100nF

Semiconductors

Q1	MPS6513
Q2	MPS6513
D1	1N5817

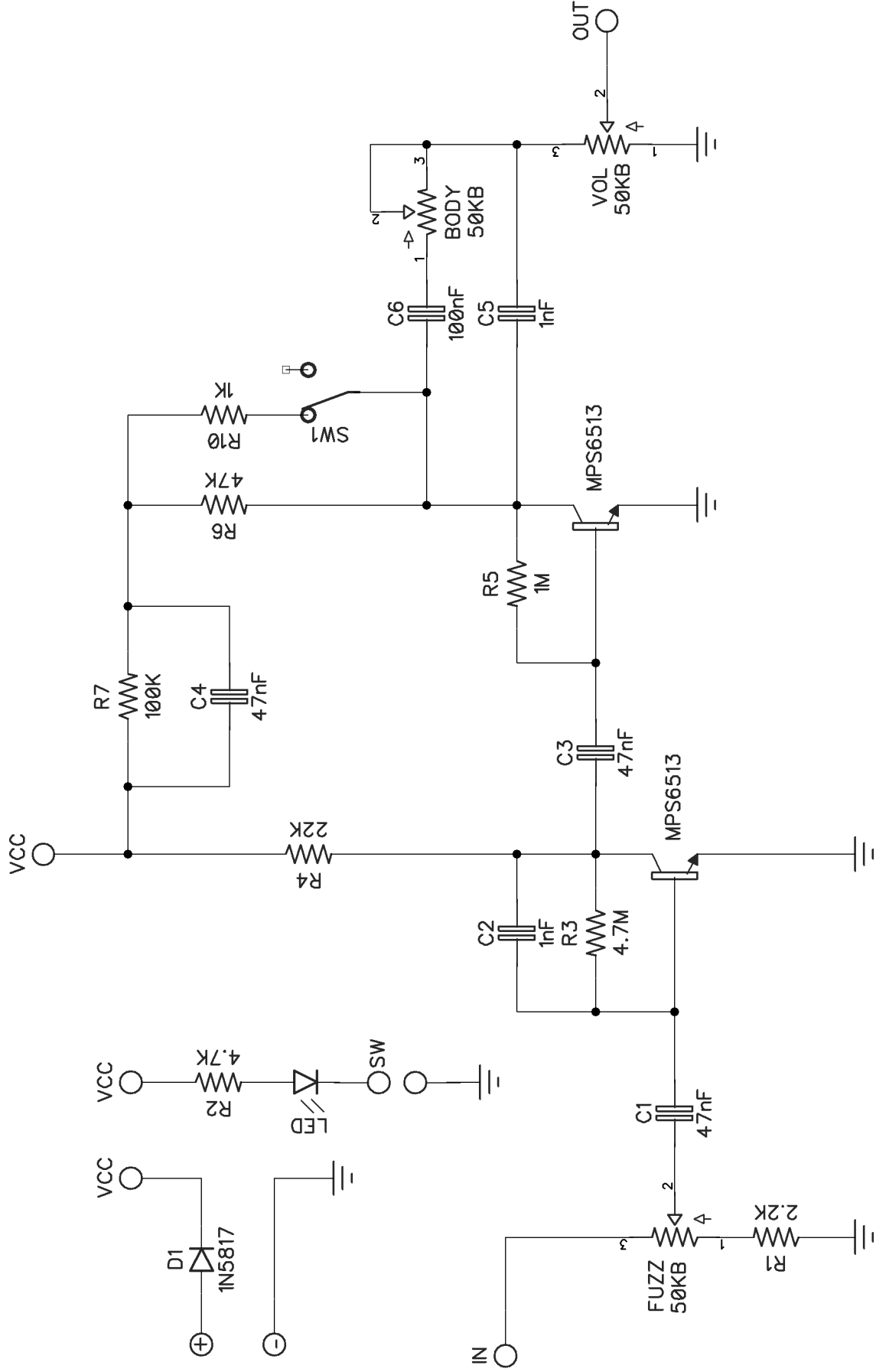
Potentiometers

FUZZ	B50K
BODY	B50K
VOL	B50K

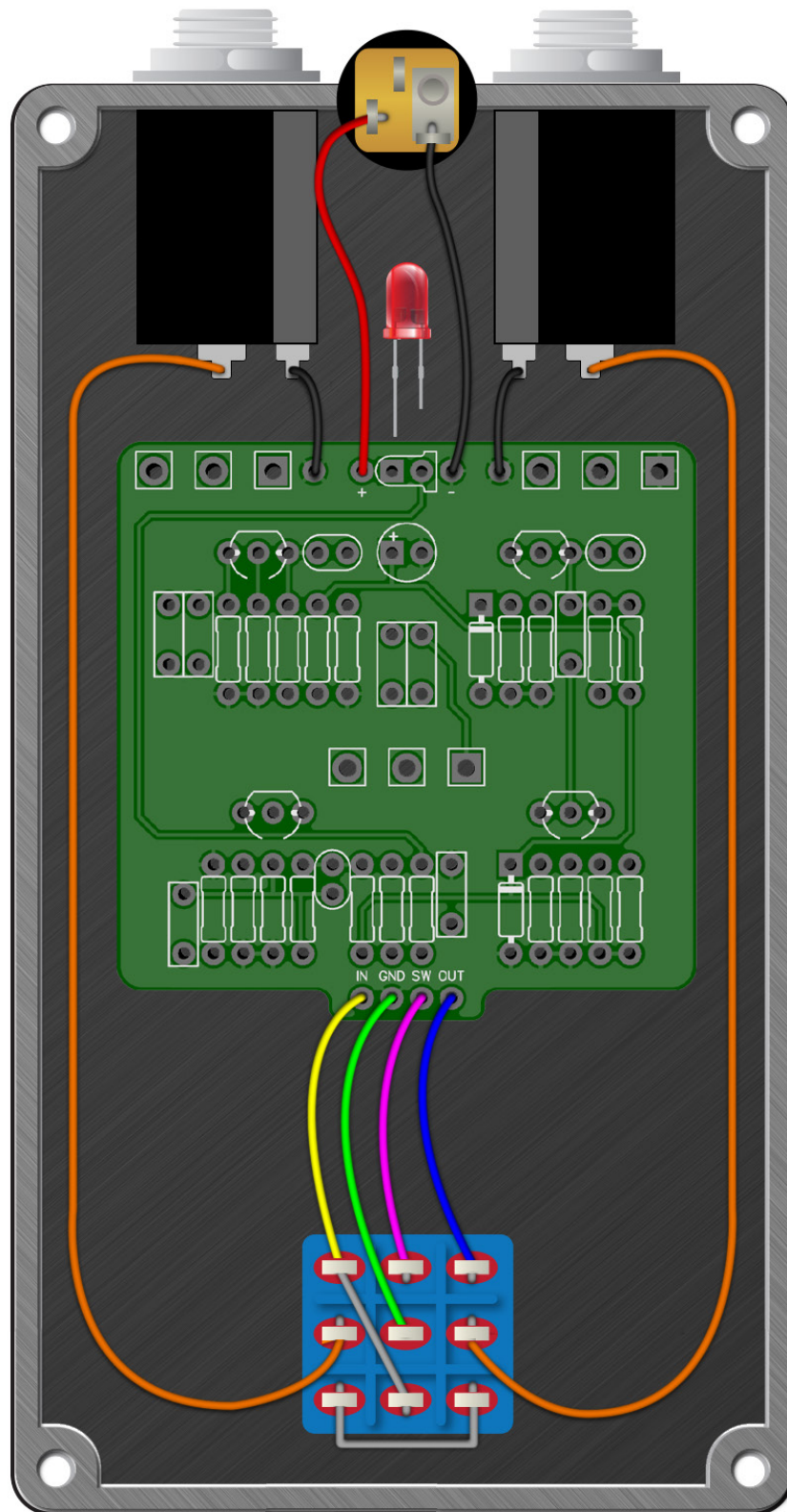
Switches

SW1	SPDT Toggle (On/On)
-----	---------------------

Kazoo Fuzz



Wiring Diagram



Drill Template

4S125B enclosure with top mounted jacks

