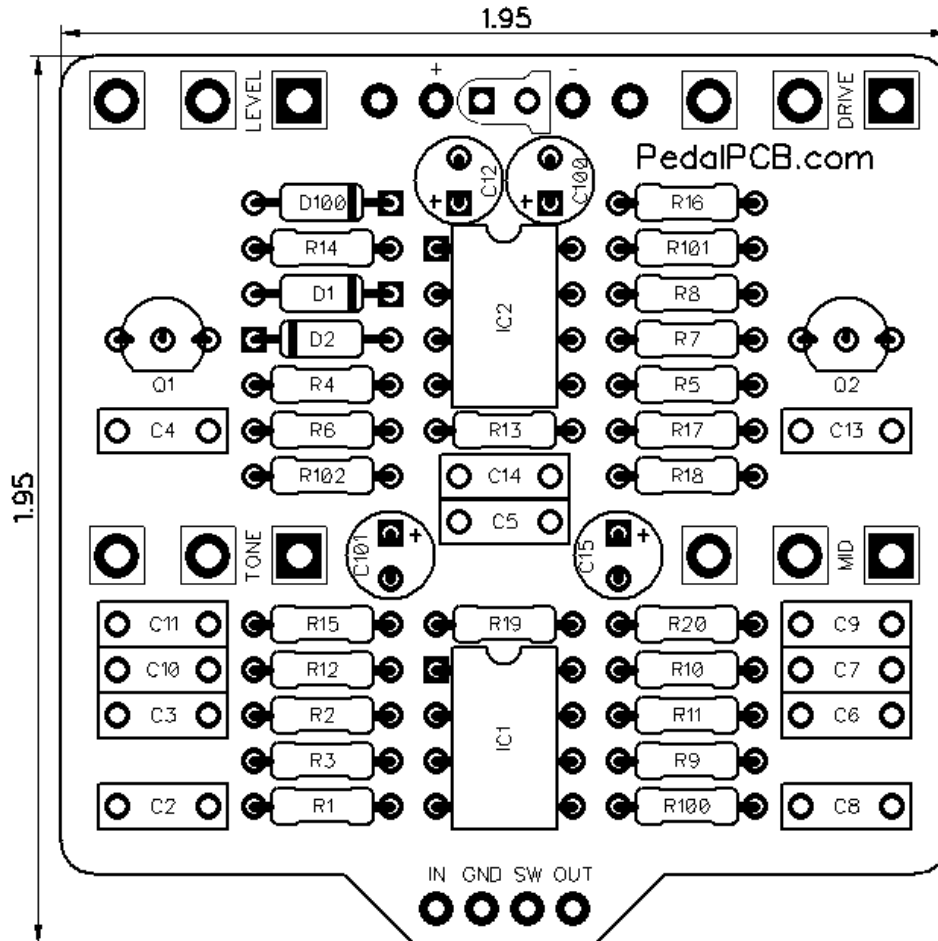




PedalPCB

Jet Drive

Revision 06.23.18



Controls

- **Volume** - Controls the overall output volume
- **Tone** - Adjusts the tone from warm to bright
- **Mid** - Adjusts the level of midrange frequencies
- **Drive** - Controls the amount of distortion

All trademarks and registered trademarks are the property of their respective owners. The company, product, and service names used in this web site are for identification purposes only. Use of these names, logos, and brands does not imply endorsement.

RESISTORS

R1 2K2
R2 2K2
R3 1M
R4 10K
R5 470K
R6 4K7
R7 47K
R8 1K
R9 27K
R10 10K
R11 20K
R12 6K8
R13 75K
R14 20K
R15 8K2
R16 10K
R17 470K
R18 510
R19 510
R20 100K
R100 4K7
R101 10K
R102 10K

POTENTIOMETERS

LEVEL B100K
DRIVE B1M
TONE B10K
MID B10K

CAPACITORS

C2 47p
C3 22n
C4 47n
C5 51p
C6 220p
C7 220n
C8 220n
C9 47n
C10 2n2
C11 10n
C12 1u
C13 100n
C14 47p
C15 1u
C100 100u
C101 47u

INTEGRATED CIRCUITS

IC1 JRC4558D
IC2 JRC4558D

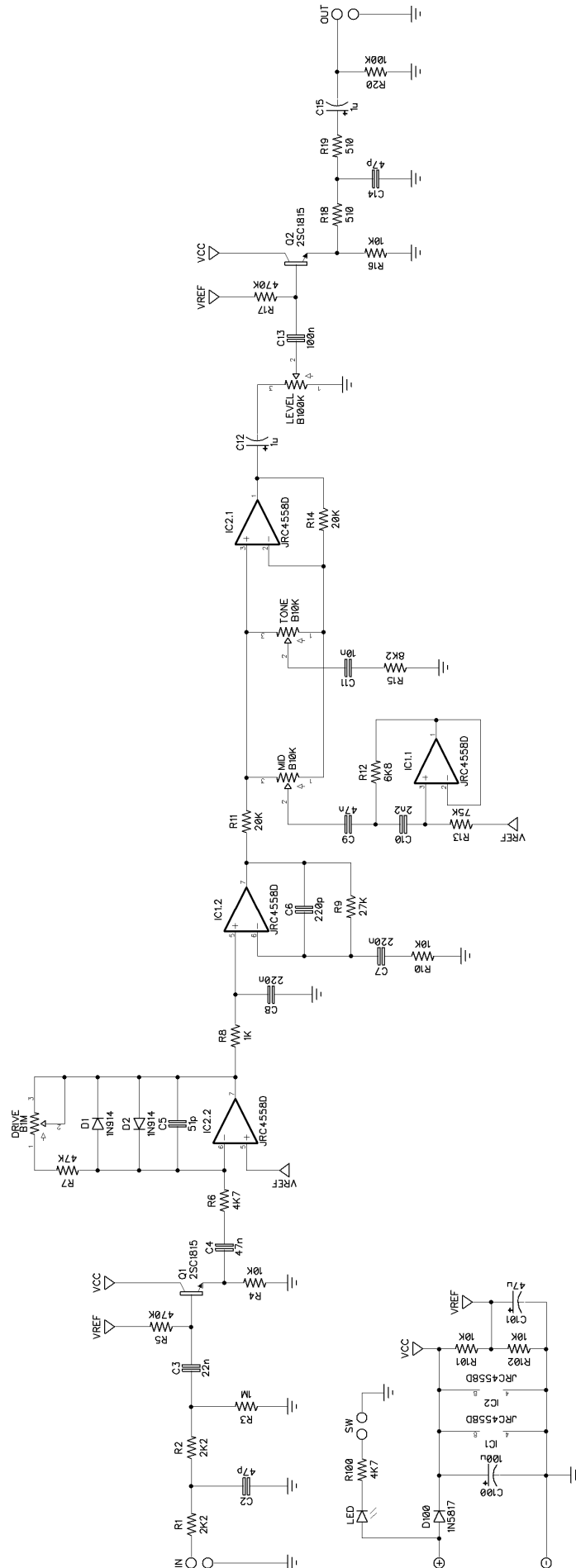
TRANSISTORS

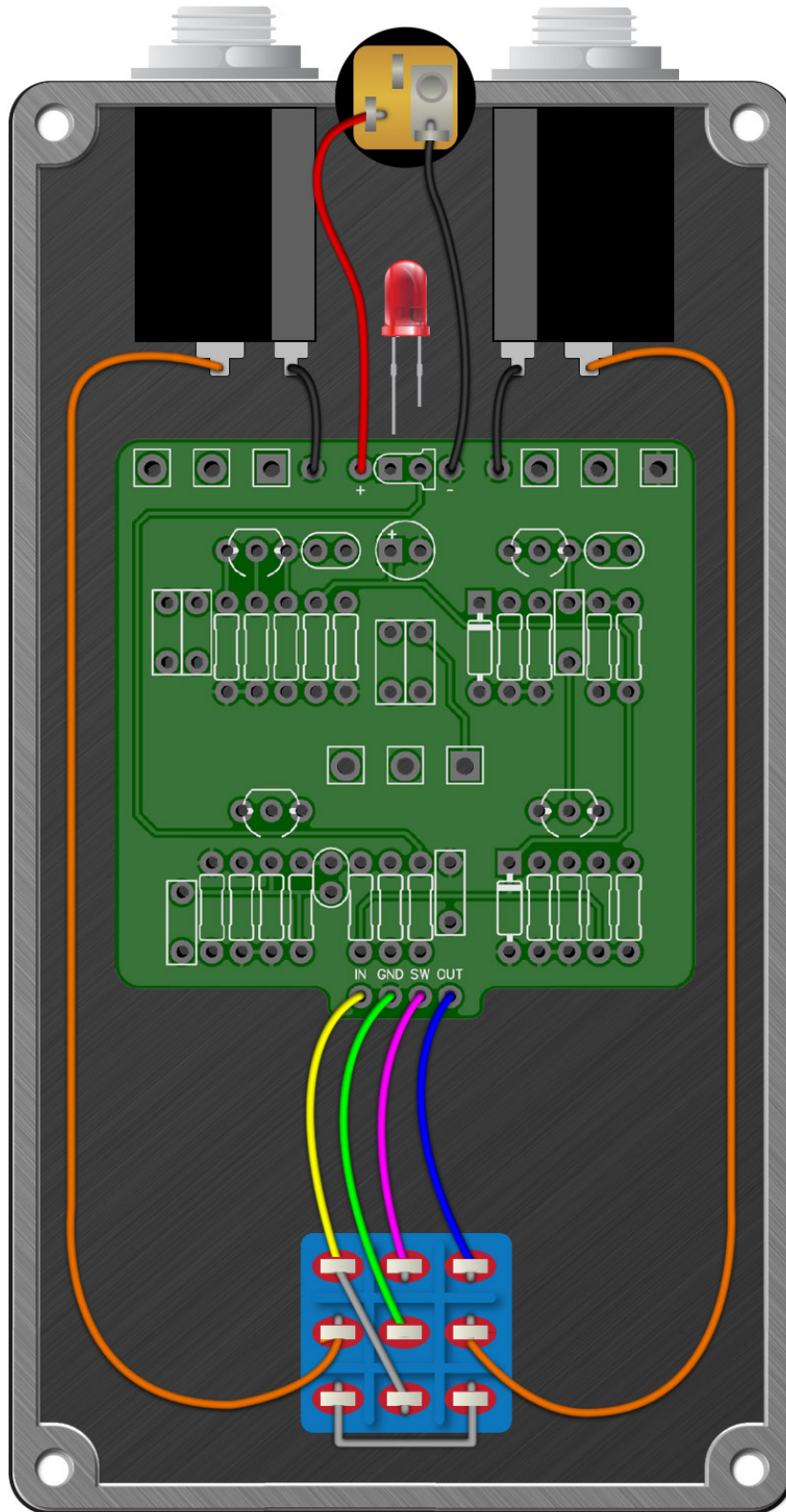
Q1 2SC1815
Q2 2SC1815

DIODES

D1 1N914
D2 1N914
D100 1N5817

PedalPCB Jet Drive





Jet Drive

Drill Template
125B enclosure with top mounted jacks

