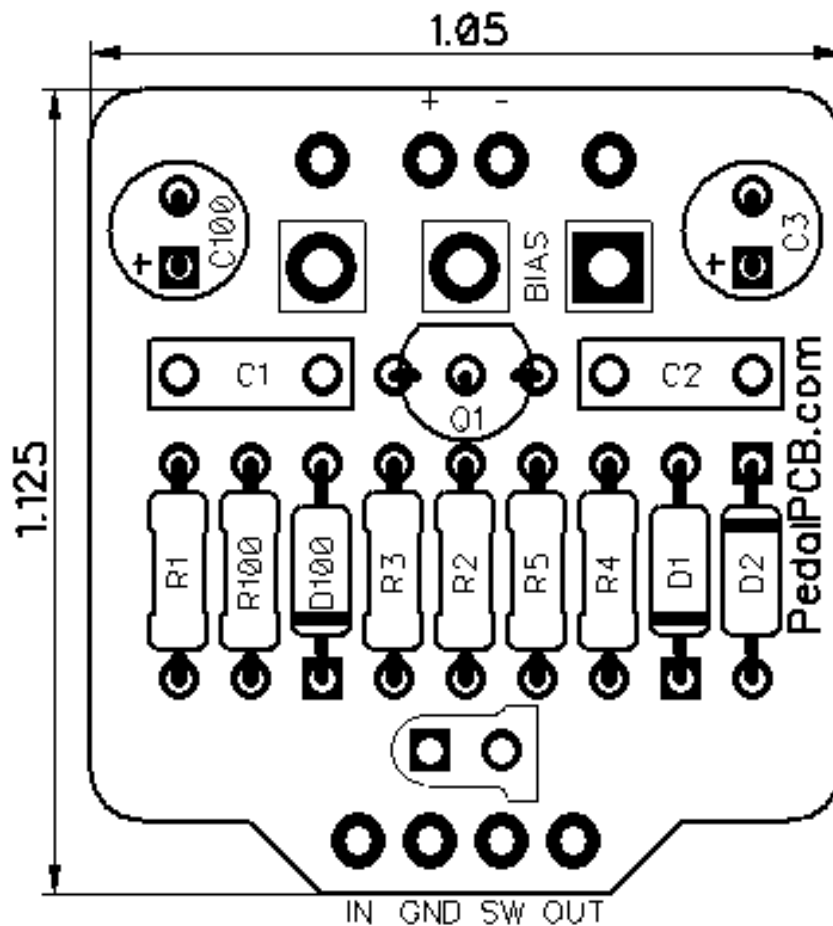


PedalPCB

Je T'aime

Revision 06.22.18



Controls

- **Bias** - Controls the output level and clipping

RESISTORS (1/4W)

R1 1M
R2 2M2
R3 3K3
R4 3K3
R5 330
R100 4K7

CAPACITORS

C1 47n
C2 100n
C3 47u
C100 47u

TRANSISTORS

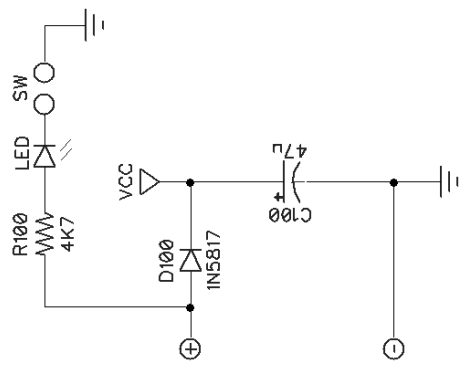
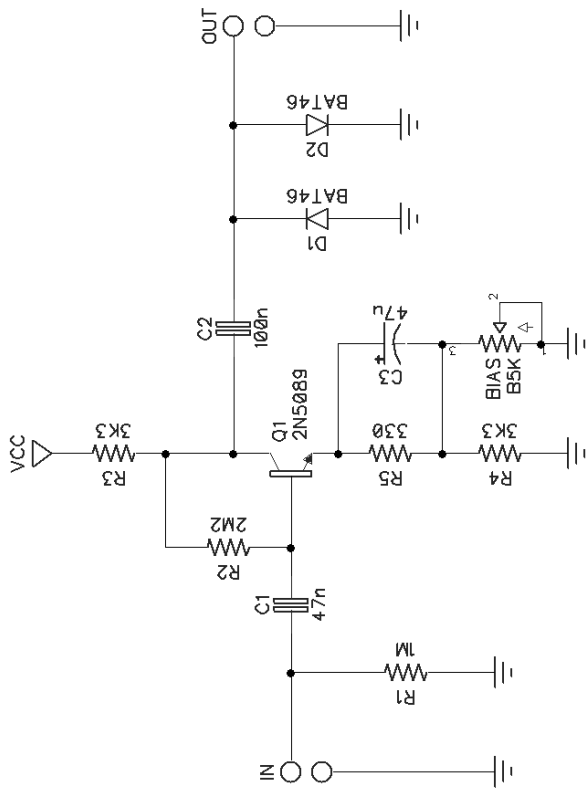
Q1 2N5089

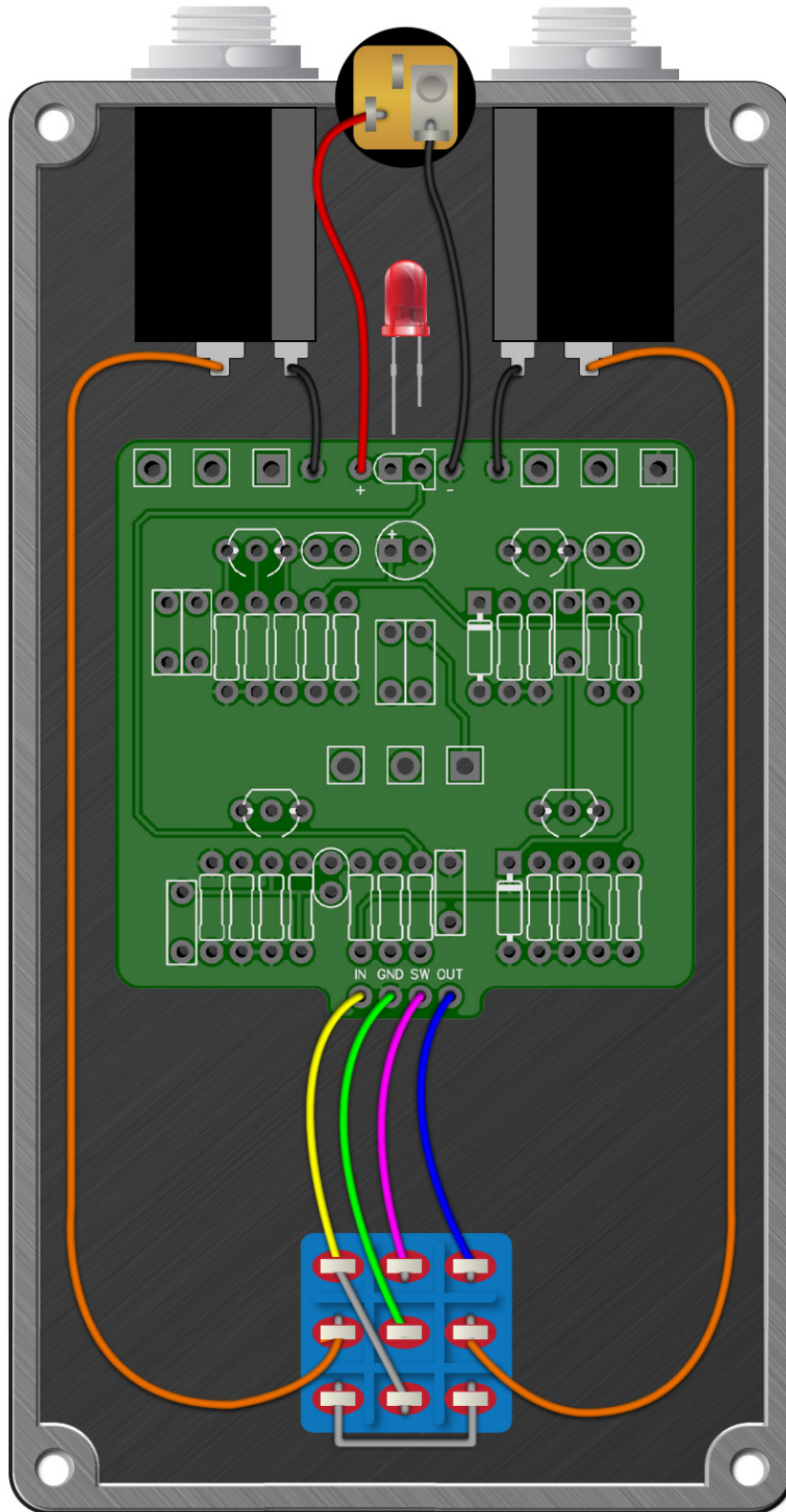
DIODES

D1 BAT46
D2 BAT46
D100 1N5817

POTENTIOMETERS

BIAS B5K





Je T'aime

Drill Template
125B enclosure with top mounted jacks

