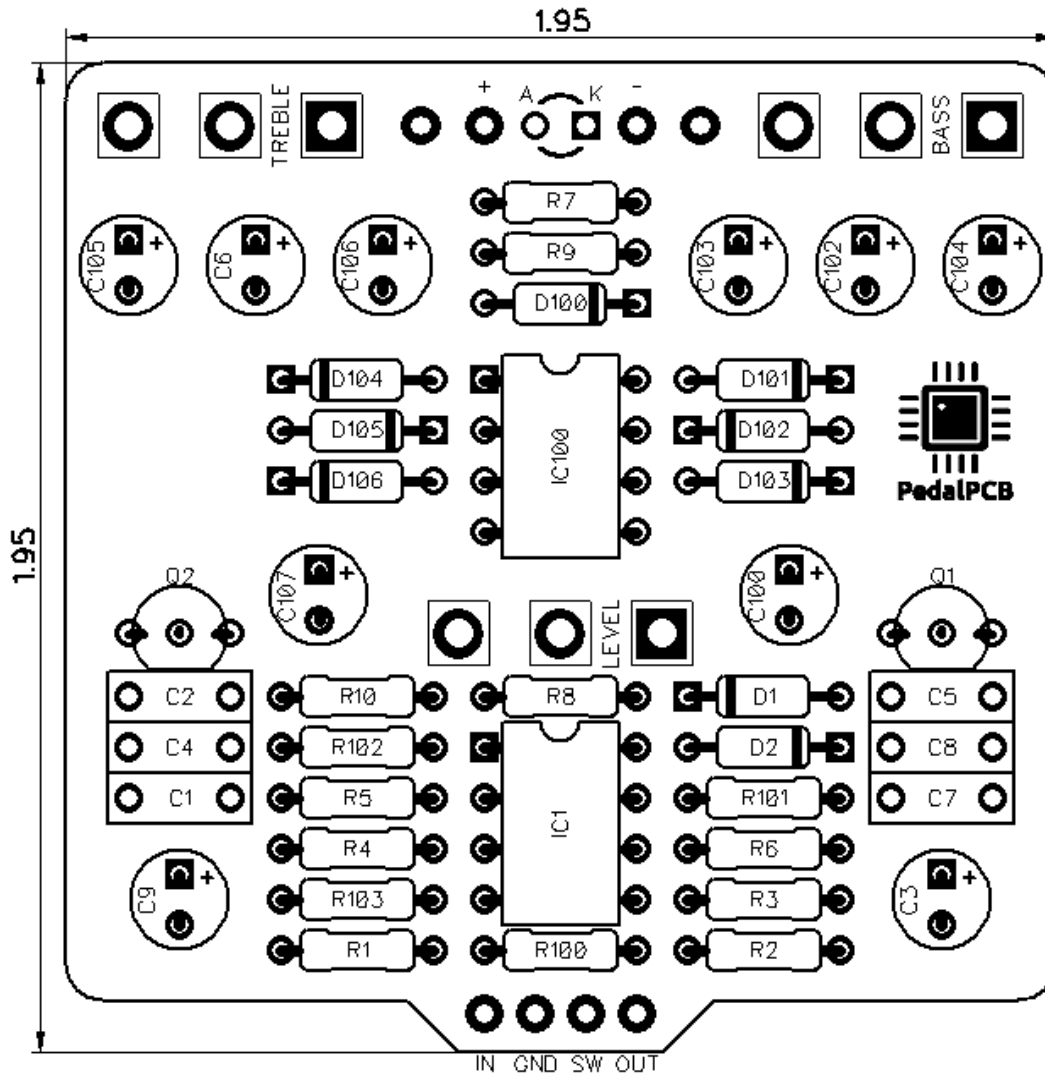




# PedalPCB

## Integral Preamp

Revision 07.21.19



### Controls

- Treble
- Bass
- Level

All trademarks and registered trademarks are the property of their respective owners. The company, product, and service names used in this web site are for identification purposes only. Use of these names, logos, and brands does not imply endorsement.

# Integral Preamp

## Parts List

### RESISTORS (1/4W)

R1	4K7
R2	22K
R3	1M
R4	6M8
R5	100K
R6	220K
R7	470R
R8	4K7
R9	8K2
R10	220R
R100	4K7
R101	10K
R102	100K
R103	1M

### CAPACITORS

C1	47n
C2	100p
C3	4u7
C4	4n7
C5	47n
C6	1u
C7	22n
C8	220n
<b>C9</b>	<b>4u7 (35V minimum)</b>
C100	100u
<b>C102</b>	<b>10u (35V minimum)</b>
<b>C103</b>	<b>10u (35V minimum)</b>
<b>C104</b>	<b>10u (35V minimum)</b>
<b>C105</b>	<b>10u (35V minimum)</b>
<b>C106</b>	<b>10u (35V minimum)</b>
<b>C107</b>	<b>10u (35V minimum)</b>

### INTEGRATED CIRCUITS

IC1	TL071
IC100	TC1044SCPA

### TRANSISTORS

Q1	BC548C
Q2	BC548C

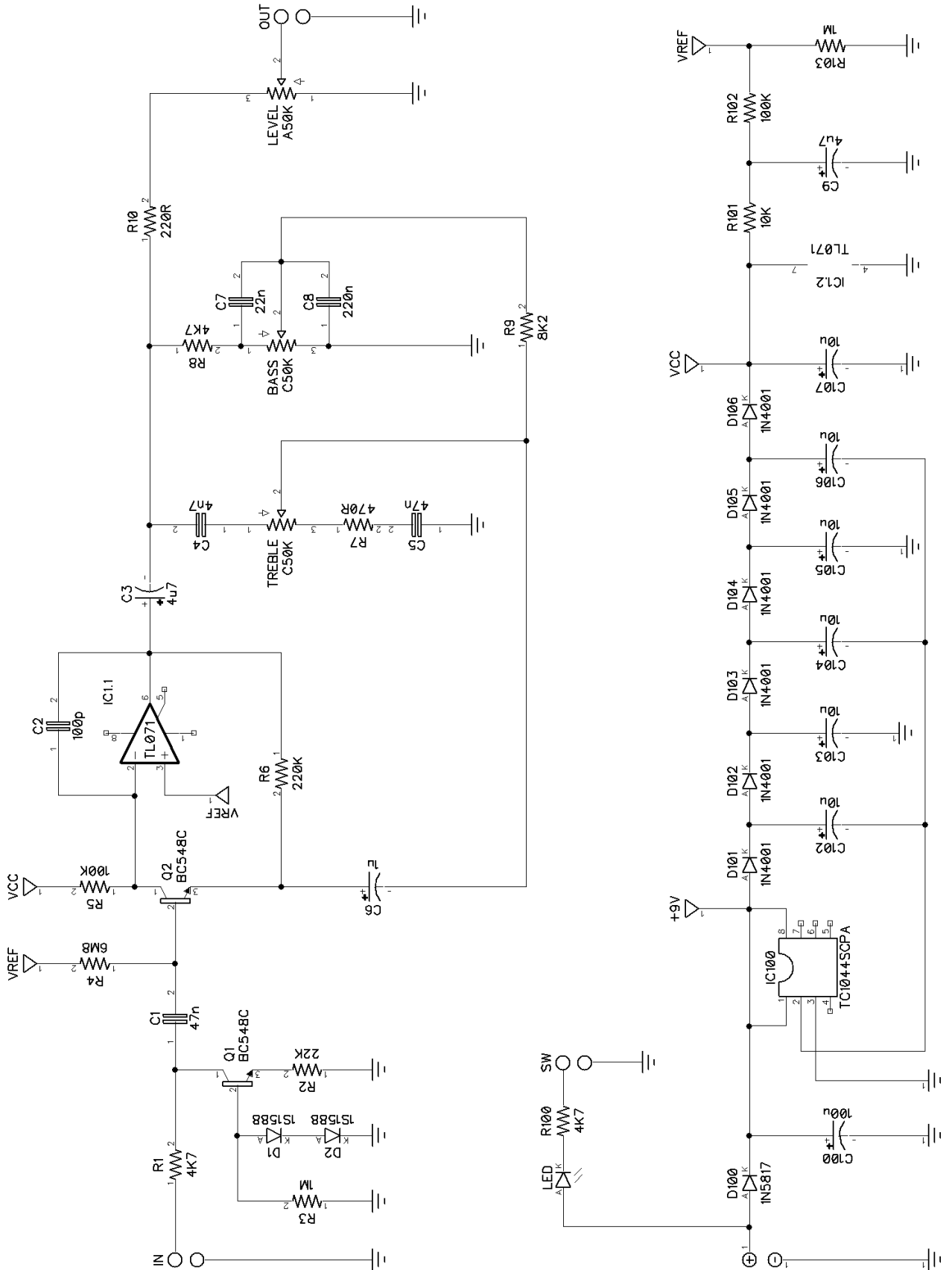
### DIODES

D1	1S1588 (1N4148)
D2	1S1588 (1N4148)
D100	1N5817
<b>D101</b>	<b>1N4001</b>
<b>D102</b>	<b>1N4001</b>
<b>D103</b>	<b>1N4001</b>
<b>D104</b>	<b>1N4001</b>
<b>D105</b>	<b>1N4001</b>
<b>D106</b>	<b>1N4001</b>

### POTENTIOMETERS

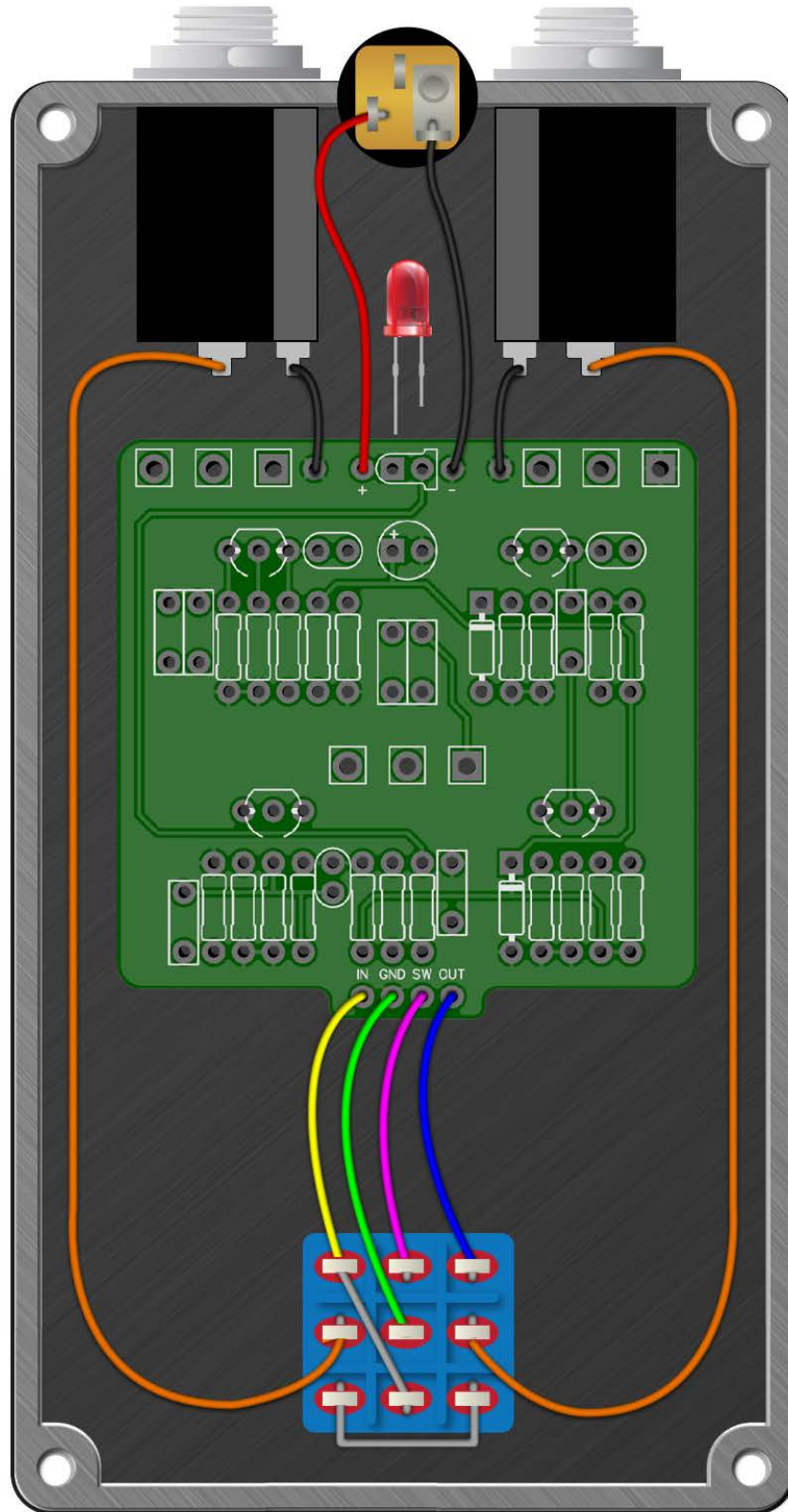
TREBLE	C50K
BASS	C50K
LEVEL	A50K

# Integral Preamp



# Integral Preamp

Wiring Diagram



# Integral Preamp

Drill Template  
125B enclosure with top mounted jacks

