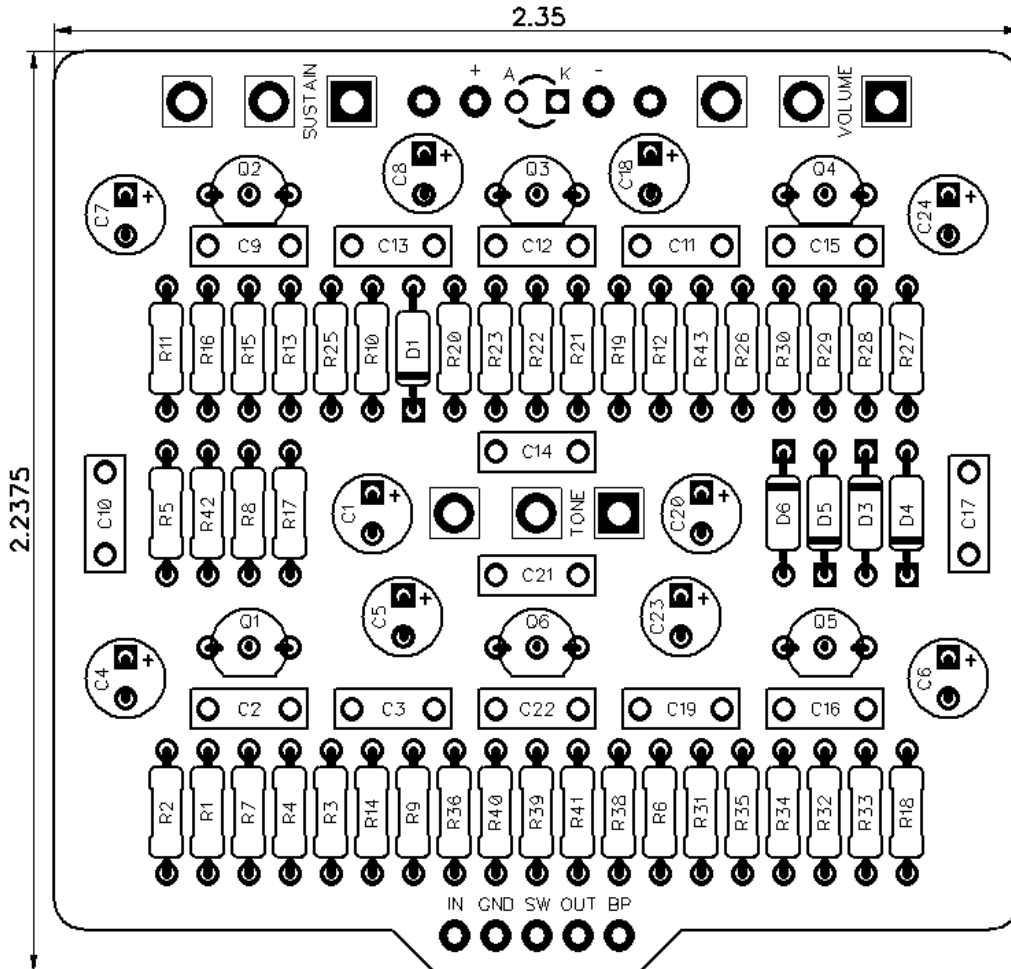


# PedalPCB

## Germanium II Distortion

Revision 12.27.19



### Controls

- Volume
- Sustain
- Tone

All trademarks and registered trademarks are the property of their respective owners. The company, product, and service names used in this web site are for identification purposes only. Use of these names, logos, and brands does not imply endorsement.

# Germanium II Distortion

## Parts List

### RESISTORS (1/4W)

R1 100R  
R2 120K  
R3 200K  
R4 7K5  
R5 20K  
R6 51R  
R7 120K  
R8 1K  
R9 10M  
R10 100R  
R11 120R  
R12 5K6  
R13 8K2  
R14 150K  
R15 120K  
R16 68K  
R17 1K  
R18 1M  
R19 39K  
R20 100K  
R21 680R  
R22 470K  
R23 15K  
R25 1K  
R26 8K2  
R27 100K  
R28 680R  
R29 470K  
R30 15K  
R31 8K2  
R32 100K  
R33 100R  
R34 470K  
R35 15K  
R36 100K  
R38 390K  
R39 100K  
R40 8K2  
R41 2K2  
R42 620R  
R43 39K

### CAPACITORS

C1 4u7  
C2 1n  
C3 100n  
C4 220u  
C5 22u  
C6 220u  
C7 100u  
C8 4u7  
C9 10n  
C10 220n  
C11 47n  
C12 1n  
C13 47n  
C14 47n  
C15 1n  
C16 1n  
C17 220n  
C18 4u7  
C19 220n  
C20 4u7  
C21 10n  
C22 220n  
C23 22u  
C24 22u

### TRANSISTORS

Q1 BC549C  
Q2 BC549C  
Q3 BC549C  
Q4 BC549C  
Q5 BC549C  
Q6 BC549C

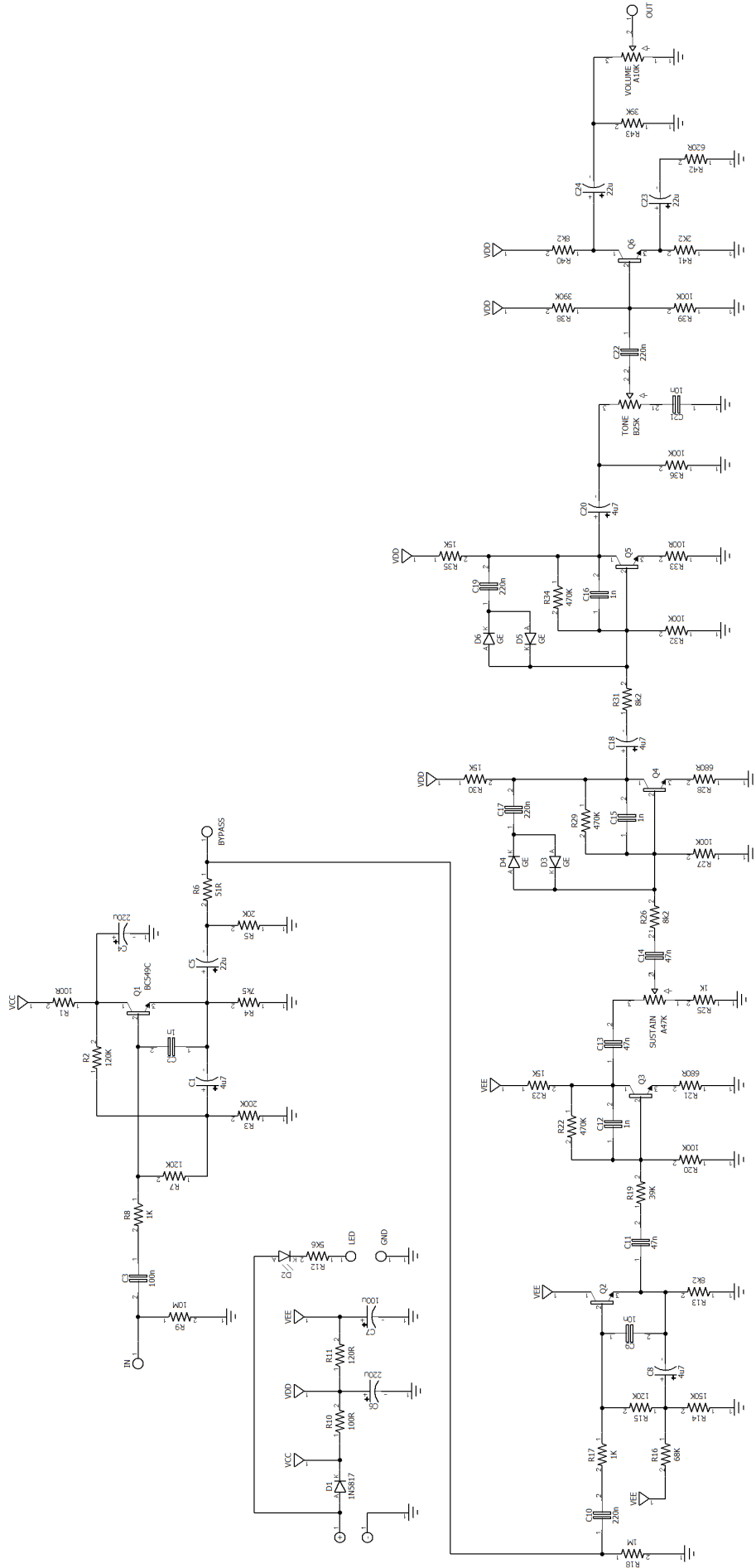
### DIODES

D1 1N5817  
D2 Indicator LED  
D3 GE  
D4 GE  
D5 GE  
D6 GE

### POTENTIOMETERS

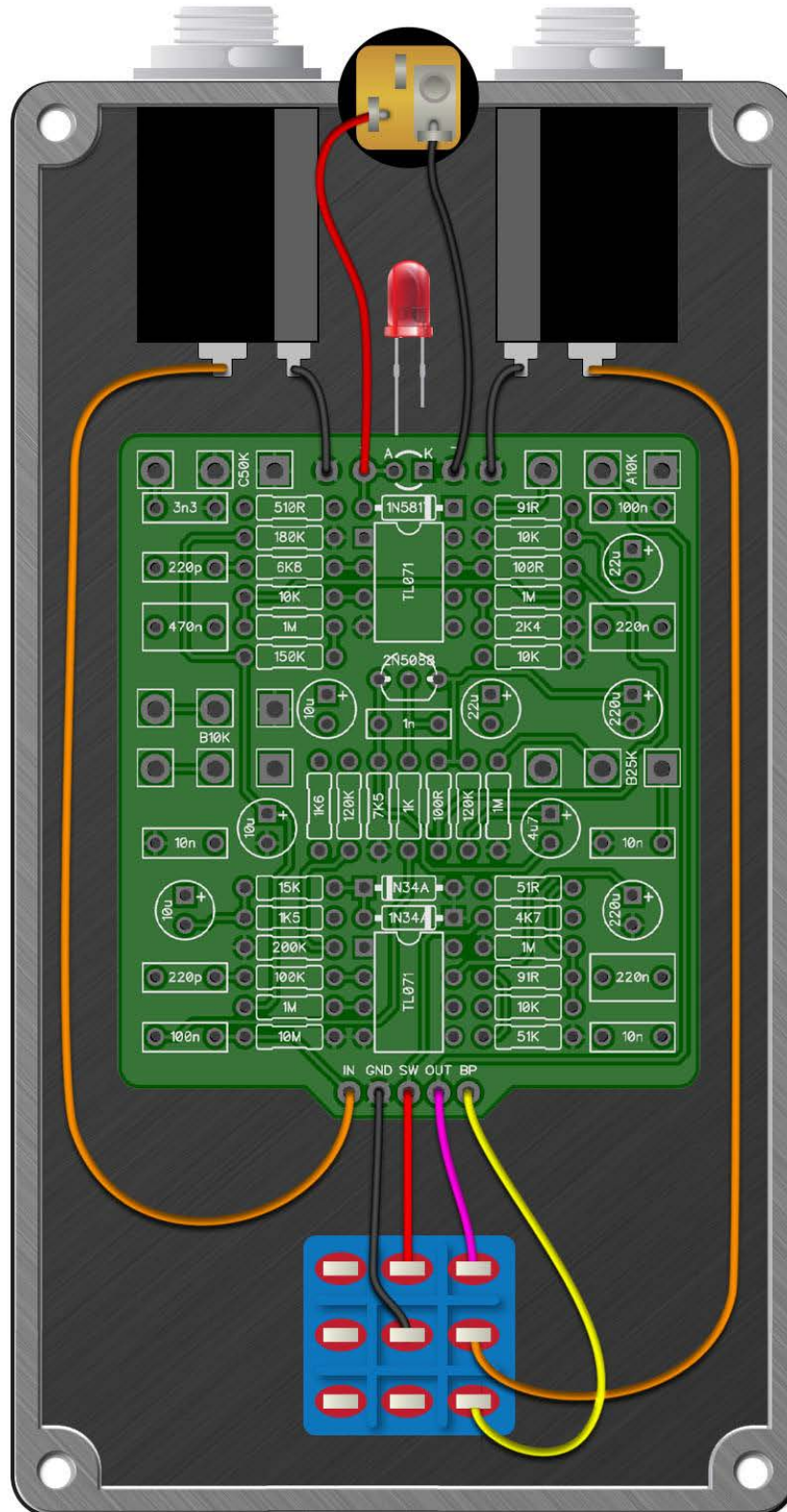
VOLUME A10K  
TONE B25K  
SUSTAIN A47K

# Germanium II Distortion



# Germanium II Distortion

## Wiring Diagram



# Germanium II Distortion

Drill Template  
125B Enclosure

