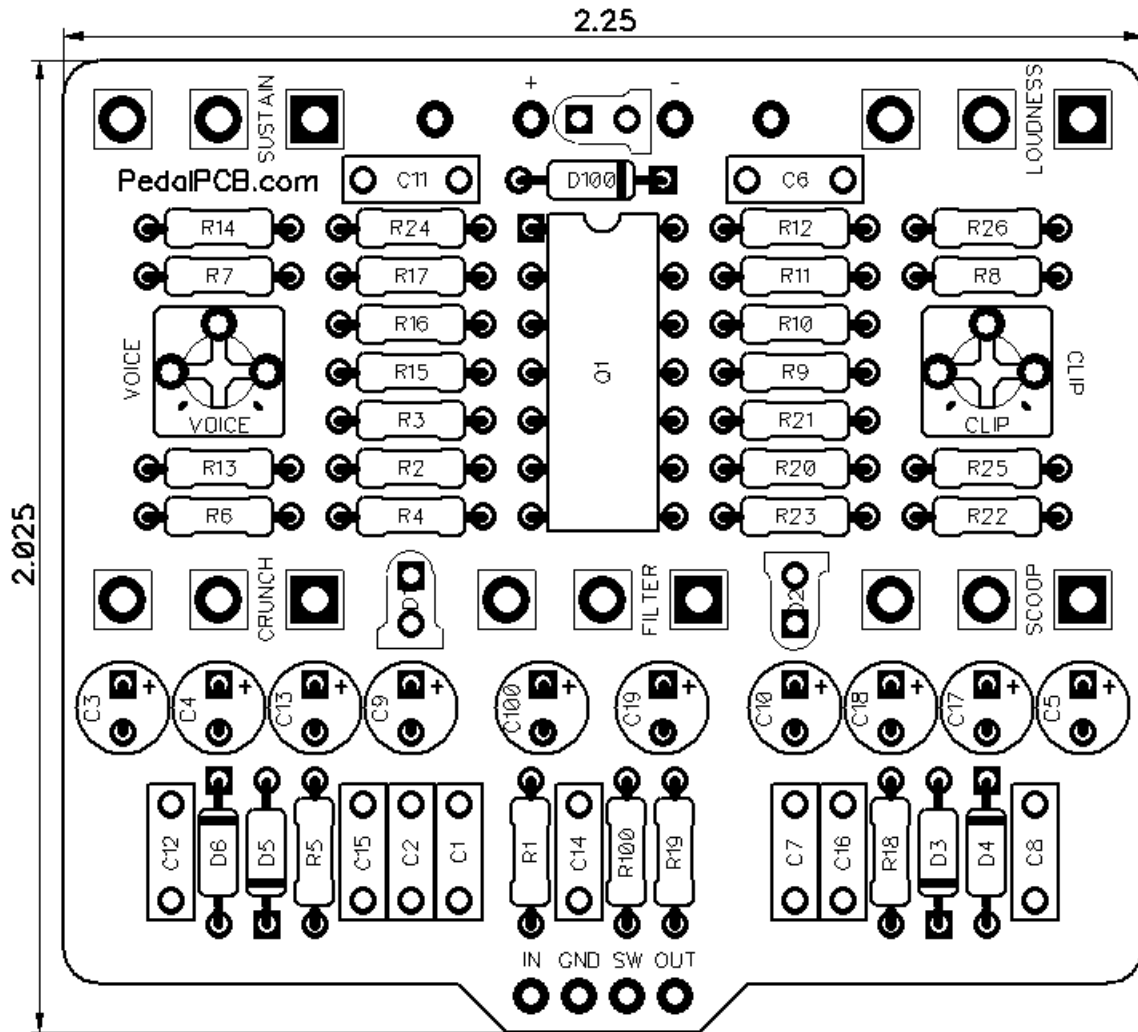




PedalPCB

Gerkin Fuzz

Revision 11.01.18



Controls

- **Loudness** - Sets the overall output volume
- **Filter** - Adjusts the range of band-pass filtered tone
- **Sustain** - Controls the amount of fuzz
- **Scoop** - Sweeps between mid-scoop / flat-mids
- **Crunch** - Adjusts the intensity of compression
- **Voice (internal trim)** - Controls the Scoop control intensity
- **Clip (internal trim)** - Adjusts between smooth / open fuzz

All trademarks and registered trademarks are the property of their respective owners. The company, product, and service names used in this web site are for identification purposes only. Use of these names, logos, and brands does not imply endorsement.

Gerkin Fuzz

Parts List

RESISTORS

R1 33K
 R2 100K
 R3 100R
 R4 470K
 R5 10K
 R6 4K7
 R7 1K
 R8 10K
 R9 100K
 R10 100R
 R11 470K
 R12 10K
 R13 4K7
 R14 10K
 R15 100K
 R16 100R
 R17 470K
 R18 1K5
 R19 33K
 R20 100K
 R21 1K5
 R22 470K
 R23 10K
 R24 10K
 R25 4K7
 R26 150R
 R100 4K7

CAPACITORS

C1 100n
 C2 470p
 C3 1u
 C4 1u
 C5 1u
 C6 470p
 C7 47n
 C8 100n
 C9 1u
 C10 1u
 C11 470p
 C12 100n
 C13 1u
 C14 33n
 C15 3n3
 C16 100n
 C17 1u
 C18 1u
 C19 47u
 C100 100u

INTEGRATED CIRCUITS

Q1 MPQ3904

DIODES

D1 3mm Red LED
 D2 3mm Red LED
 D3 1N4148
 D4 1N4148
 D5 1N4148
 D6 1N4148
 D100 1N5817

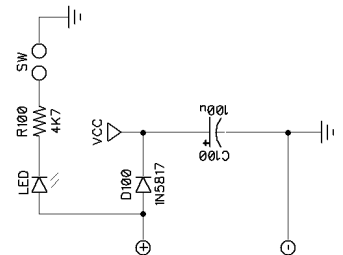
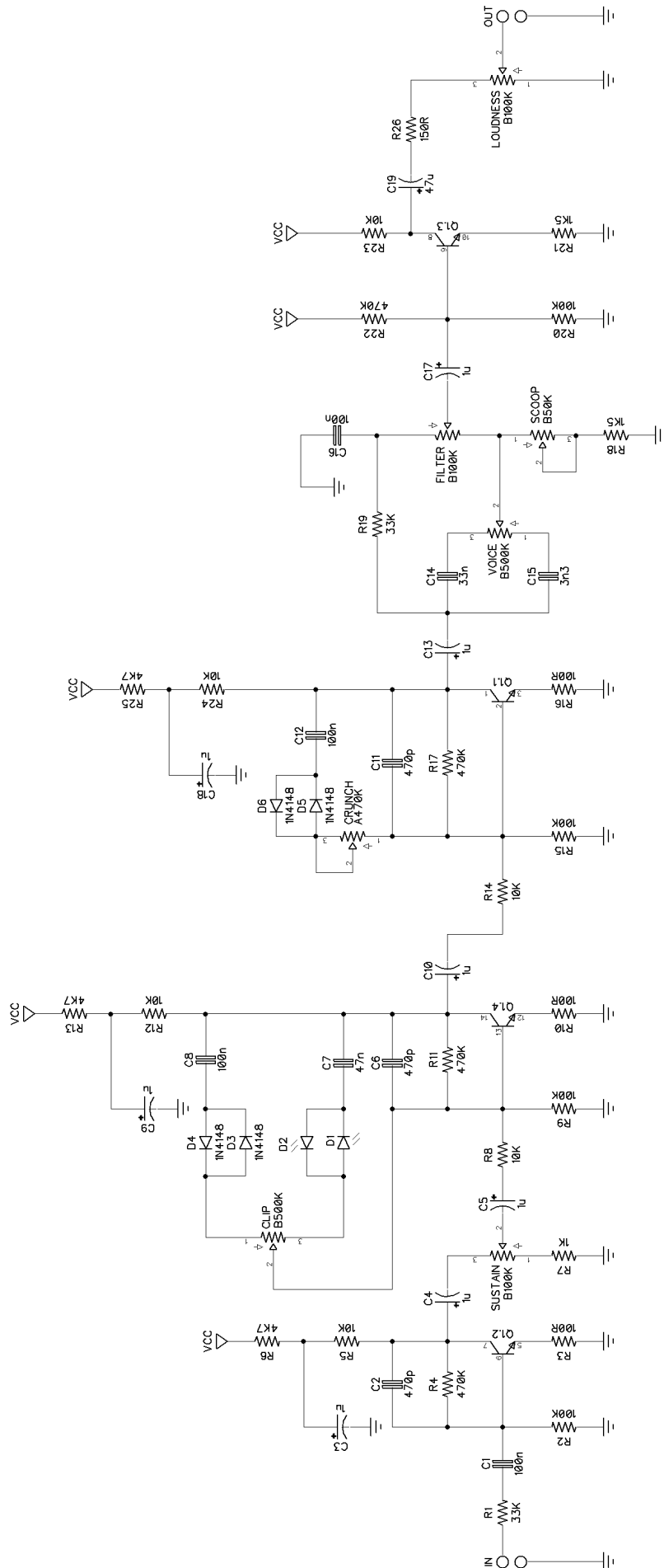
POTENTIOMETERS

LOUDNESS B100K
 FILTER B100K
 SUSTAIN B100K
 CRUNCH A470K
 SCOOP B50K

TRIM POTS (3362P)

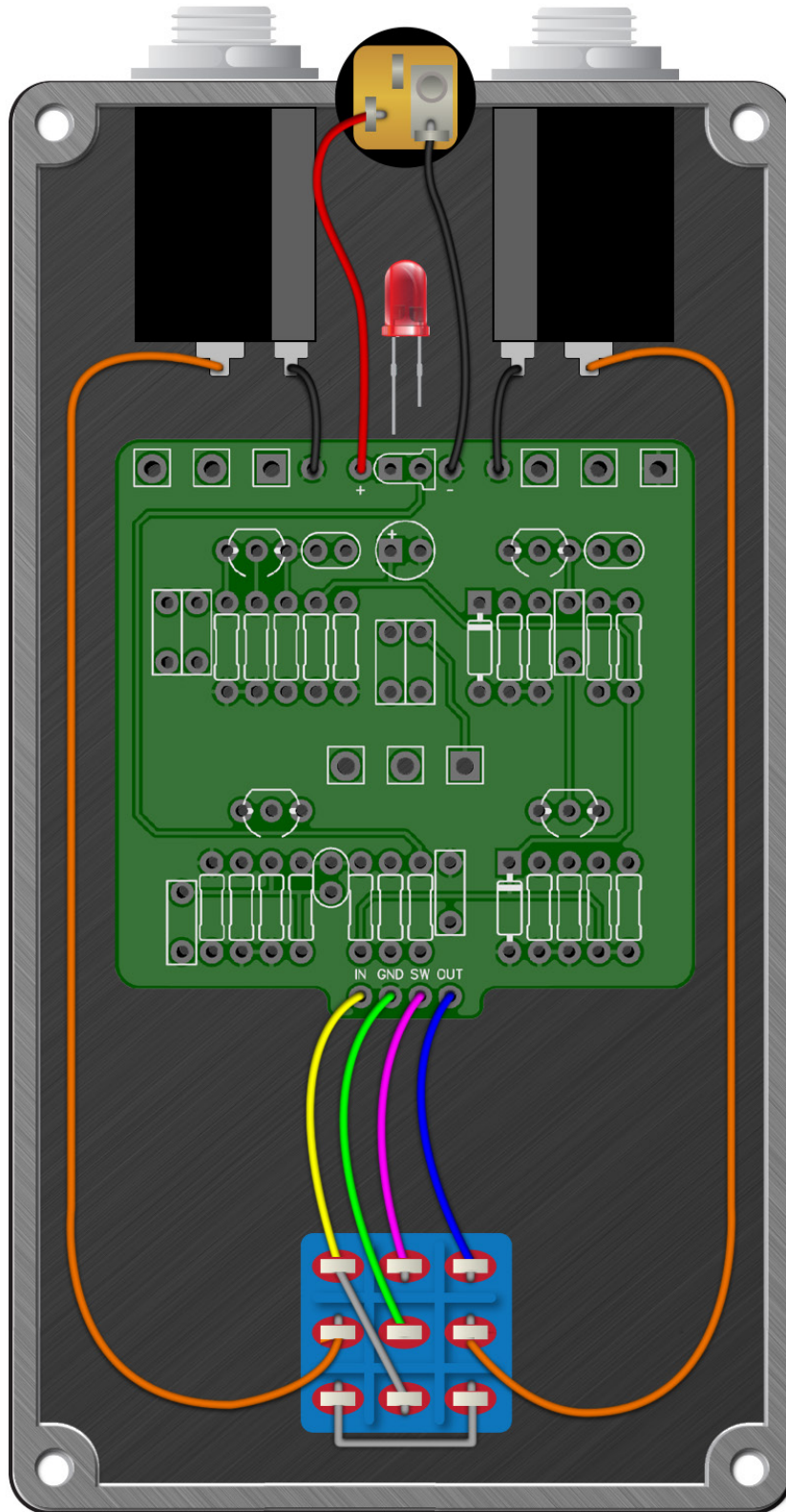
VOICE 500K
 CLIP 500K

Gerkin Fuzz



Gerkin Fuzz

Wiring Diagram



Gerkin Fuzz

Drill Template
125B enclosure with top mounted jacks

