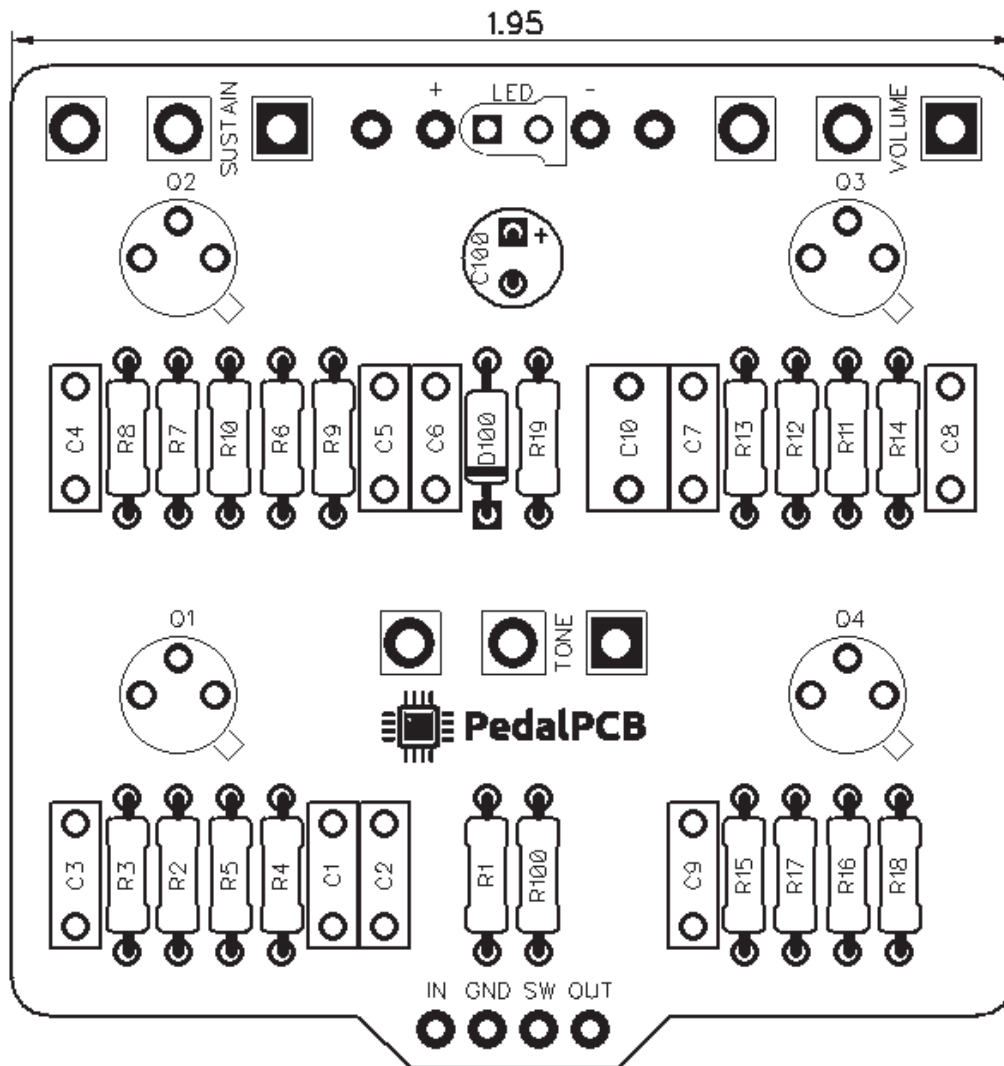




PedalPCB

Flugelhorn Fuzz

Revision 01.30.19



Controls

- Volume
- Tone
- Sustain

All trademarks and registered trademarks are the property of their respective owners. The company, product, and service names used in this web site are for identification purposes only. Use of these names, logos, and brands does not imply endorsement.

RESISTORS (1/4W)

R1 1M
R2 100K
R3 470K
R4 12K
R5 390R
R6 220R
R7 100K
R8 470K
R9 12K
R10 390R
R11 100K
R12 470K
R13 12K
R14 390R
R15 470K
R16 100K
R17 12K
R18 2K2
R19 220R
R100 4K7

CAPACITORS

C1 100n
C2 470p
C3 100n
C4 100n
C5 470p
C6 10n
C7 470p
C8 100n
C9 100n
C10 330n
C100 47u

TRANSISTORS

Q1 2N5133
Q2 2N5133
Q3 2N5133
Q4 2N5133

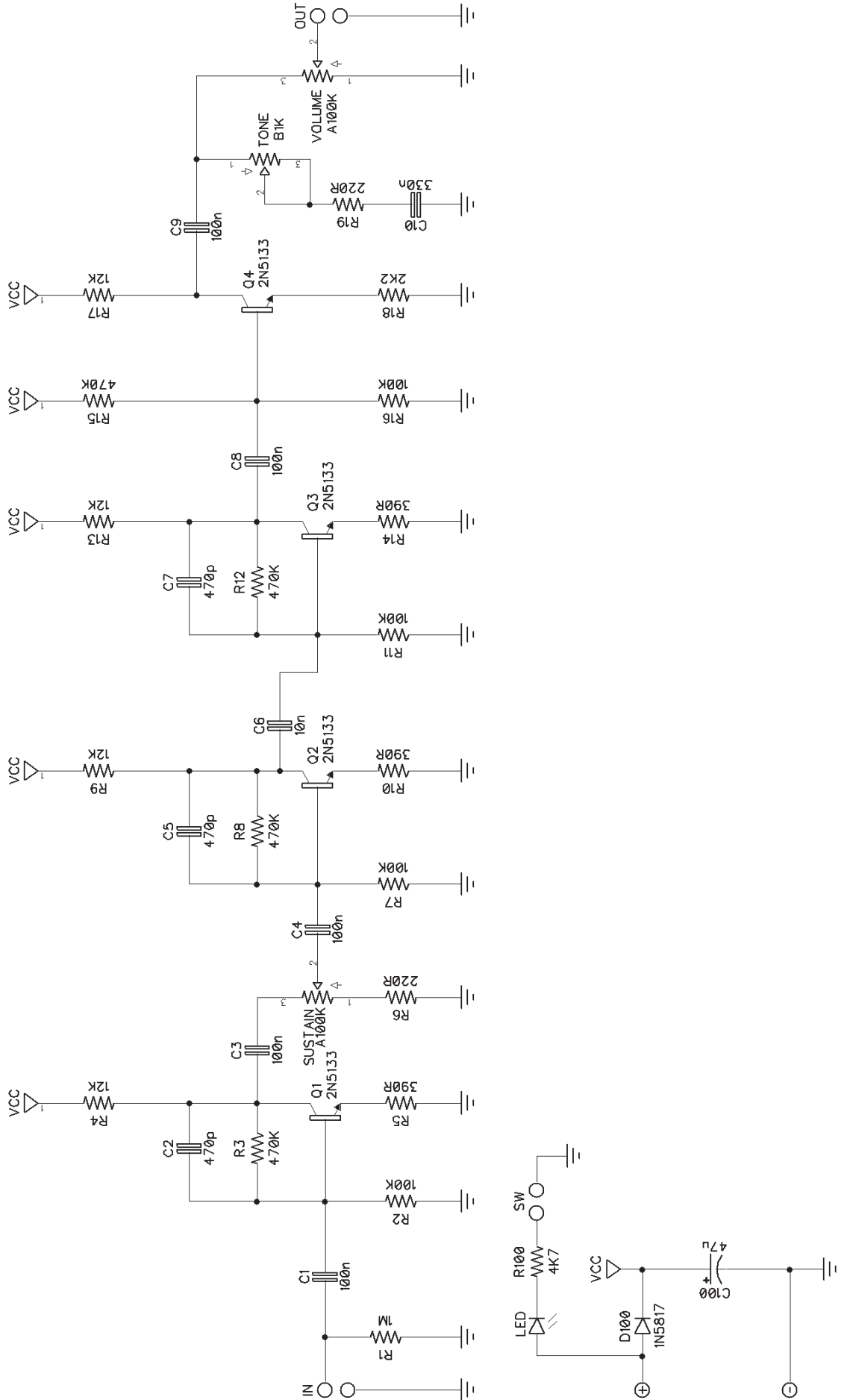
DIODES

D100 1N5817

POTENTIOMETERS

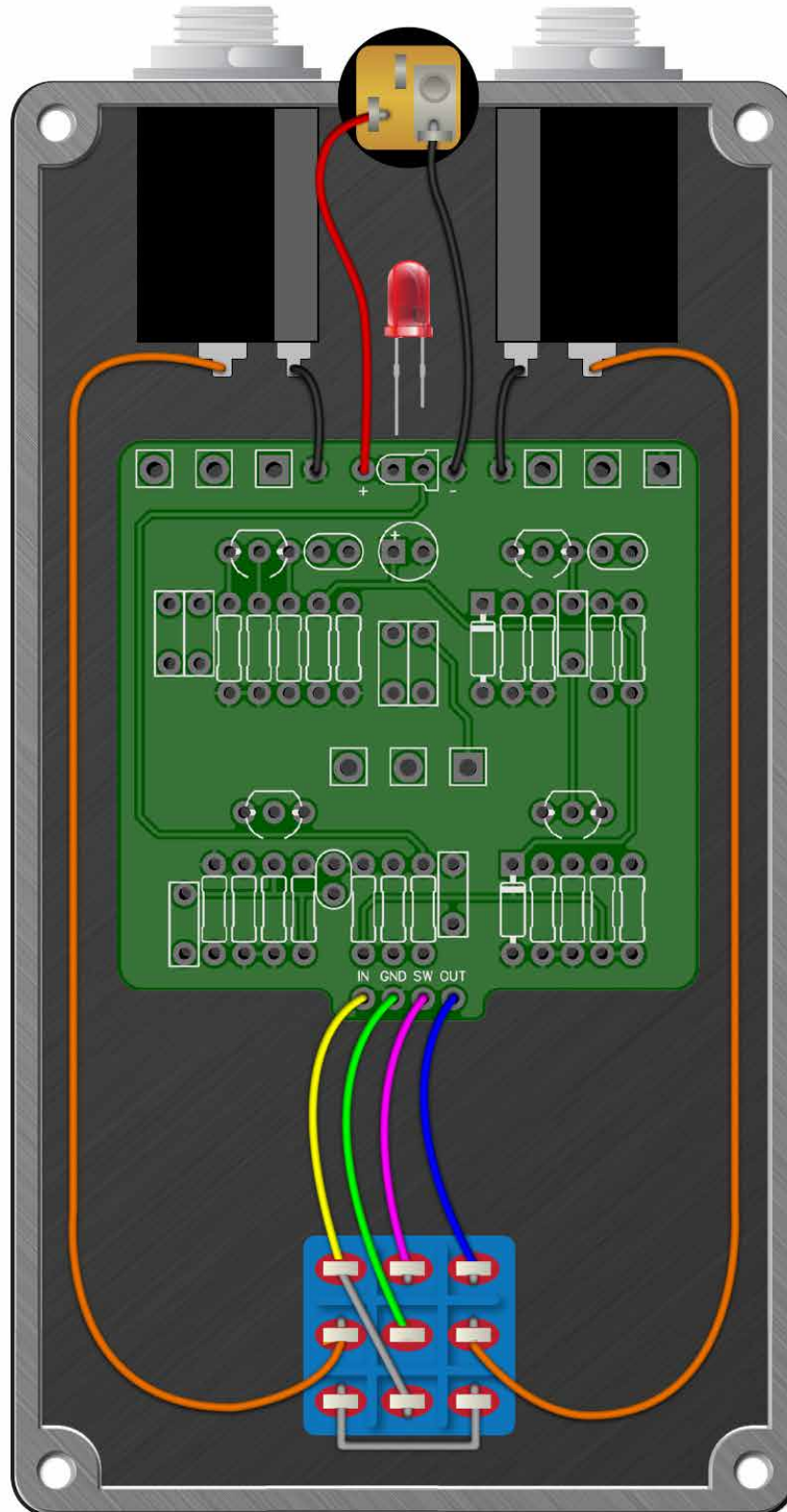
VOLUME A100K
TONE B1K
SUSTAIN A100K

Flugelhorn Fuzz



Flugelhorn Fuzz

Wiring Diagram



Flugelhorn Fuzz

Drill Template
125B enclosure with top mounted jacks

