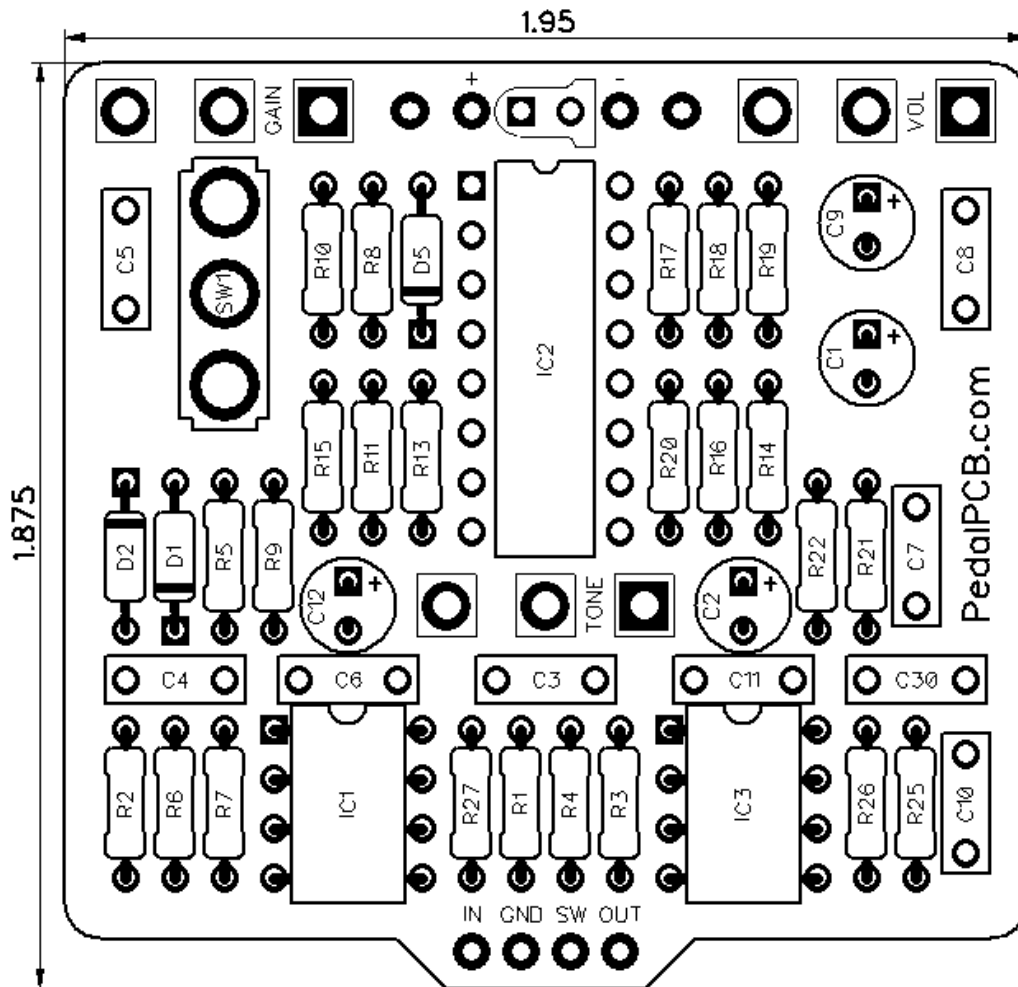




# PedalPCB

## Fat Piggy

Revision 06.24.18



### Controls

- **Gain** - Controls the amount of overdrive
- **Tone** - Adjusts the passive low pass filter
- **Volume** - Controls the overall output volume
- **More (toggle switch)** - Increases range of **Gain**

All trademarks and registered trademarks are the property of their respective owners. The company, product, and service names used in this web site are for identification purposes only. Use of these names, logos, and brands does not imply endorsement.

**RESISTORS**

R1 10K  
R2 10K  
R3 10K  
R4 4K7  
R5 1M  
R6 100K  
R7 680K  
R8 2M2  
R9 1K6  
R10 62K  
R11 47K  
R13 130K  
R14 100K  
R15 130K  
R16 100K  
R17 130K  
R18 100K  
R19 130K  
R20 2M2  
R21 560K  
R22 470R  
R25 1M  
R26 150R  
R27 10M

**CAPACITORS**

C1 100u  
C2 10u  
C3 10n  
C4 100n  
C5 100p  
C6 82n  
C7 100p  
C8 27n  
C9 1u  
C10 220n  
C11 100n  
C12 1u  
C30 27n

**INTEGRATED CIRCUITS**

IC1 TL072  
IC2 CD4049UB  
IC3 TL072

**DIODES**

D1 1N4148  
D2 1N4148  
D5 1N5817

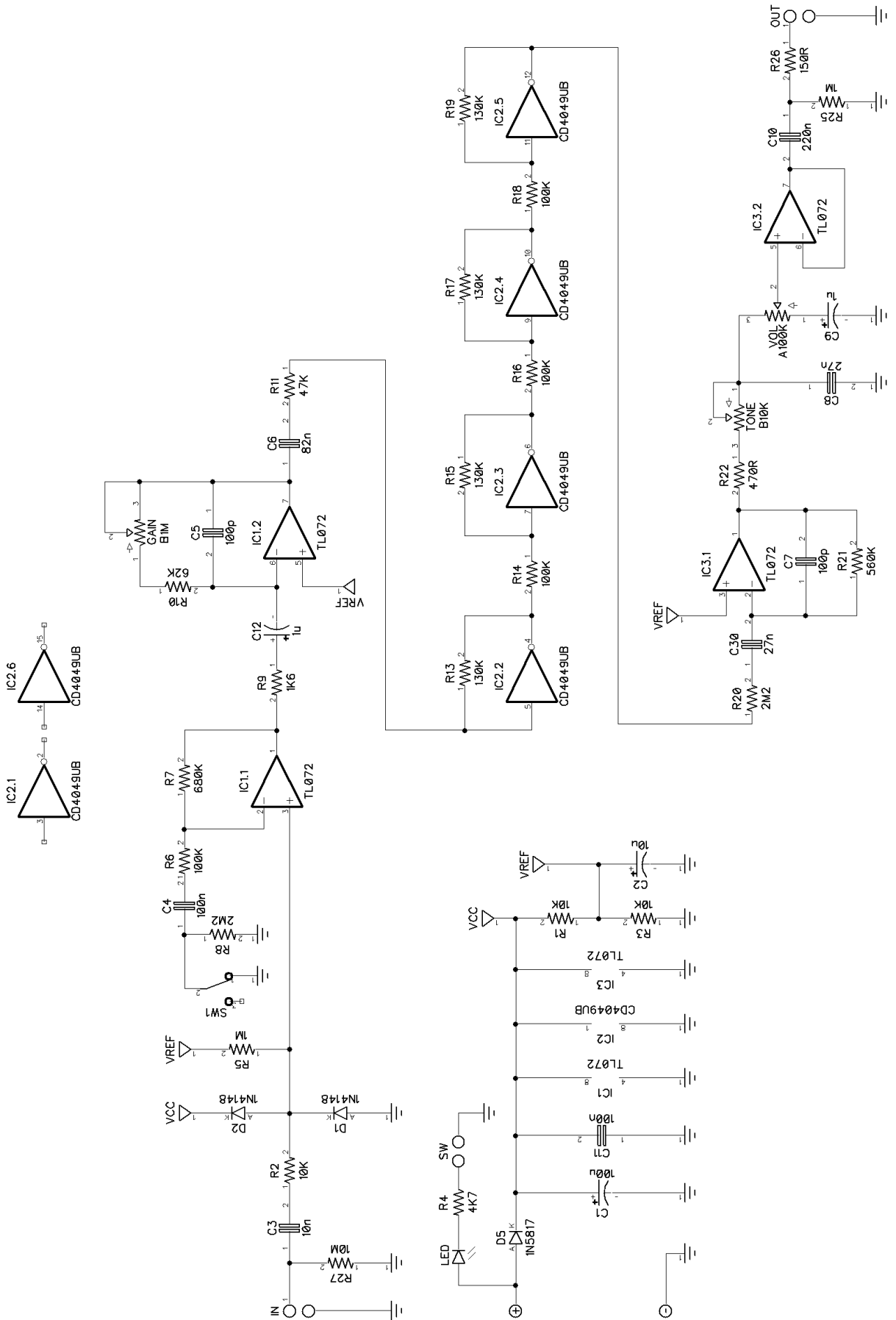
**POTENTIOMETERS**

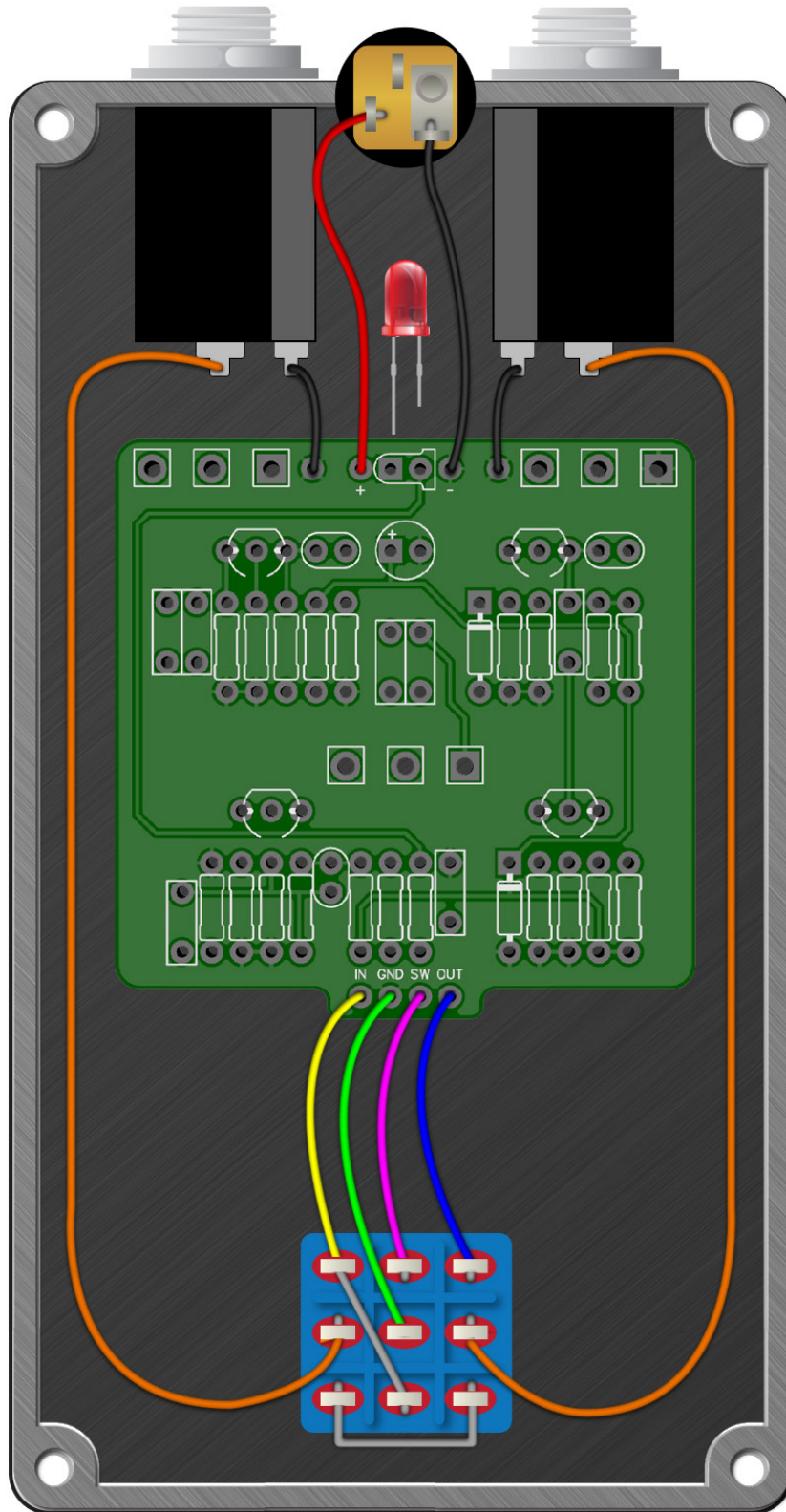
GAIN B1M  
TONE B10K  
VOL A100K

**SWITCHES**

SW1 SPDT (On/On)

# Fat Piggy





# Fat Piggy

Drill Template  
125B enclosure with top mounted jacks

