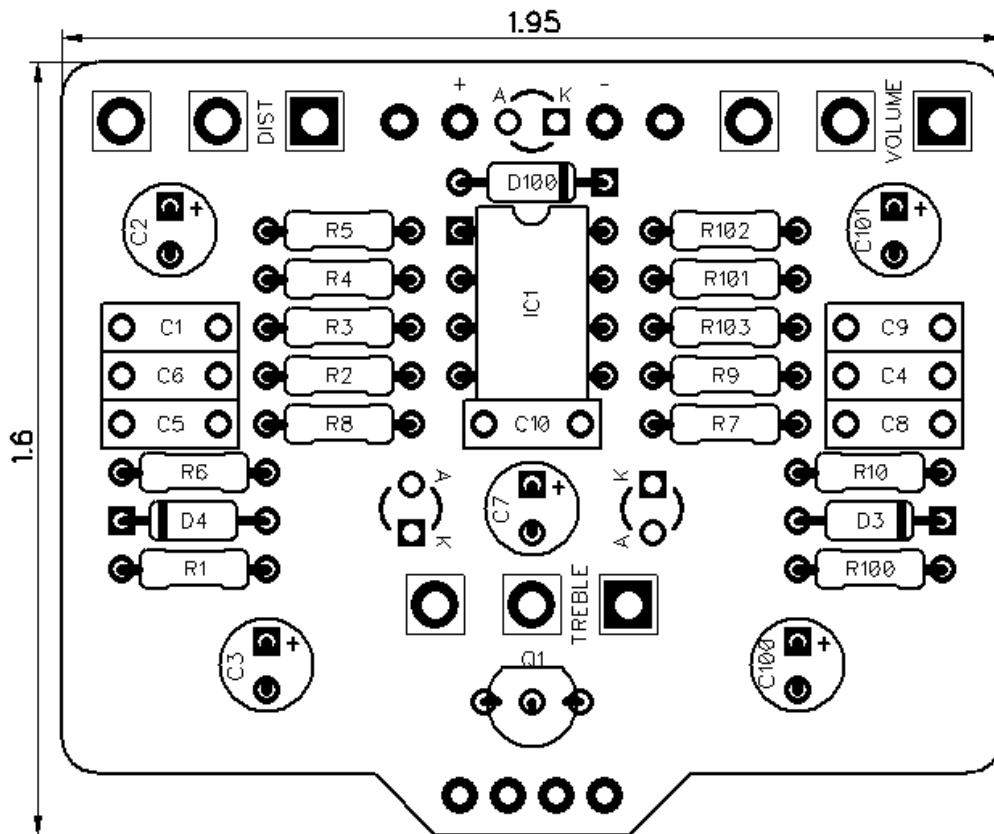




# PedalPCB

## Dynasty Distortion

Revision 08.31.19



### Controls

- Volume
- Treble
- Distortion

All trademarks and registered trademarks are the property of their respective owners. The company, product, and service names used in this web site are for identification purposes only. Use of these names, logos, and brands does not imply endorsement.

# Dynasty Distortion

## Parts List

### RESISTORS (1/4W)

R1 1M  
R2 360K  
R3 14K7  
R4 3K  
R5 1K  
R6 1K  
R7 3K6  
R8 1M  
R9 10K  
R10 3K  
R100 4K7  
R101 47K  
R102 47K  
R103 47R

### CAPACITORS

C1 47n  
C2 470n  
C3 1u  
C4 47n  
C5 22n  
C6 22n  
C7 1u  
C8 220p  
C9 100n  
C10 100p  
C100 100u  
C101 22u

### INTEGRATED CIRCUITS

IC1 CA3130EZ

### TRANSISTORS

Q1 2N5458

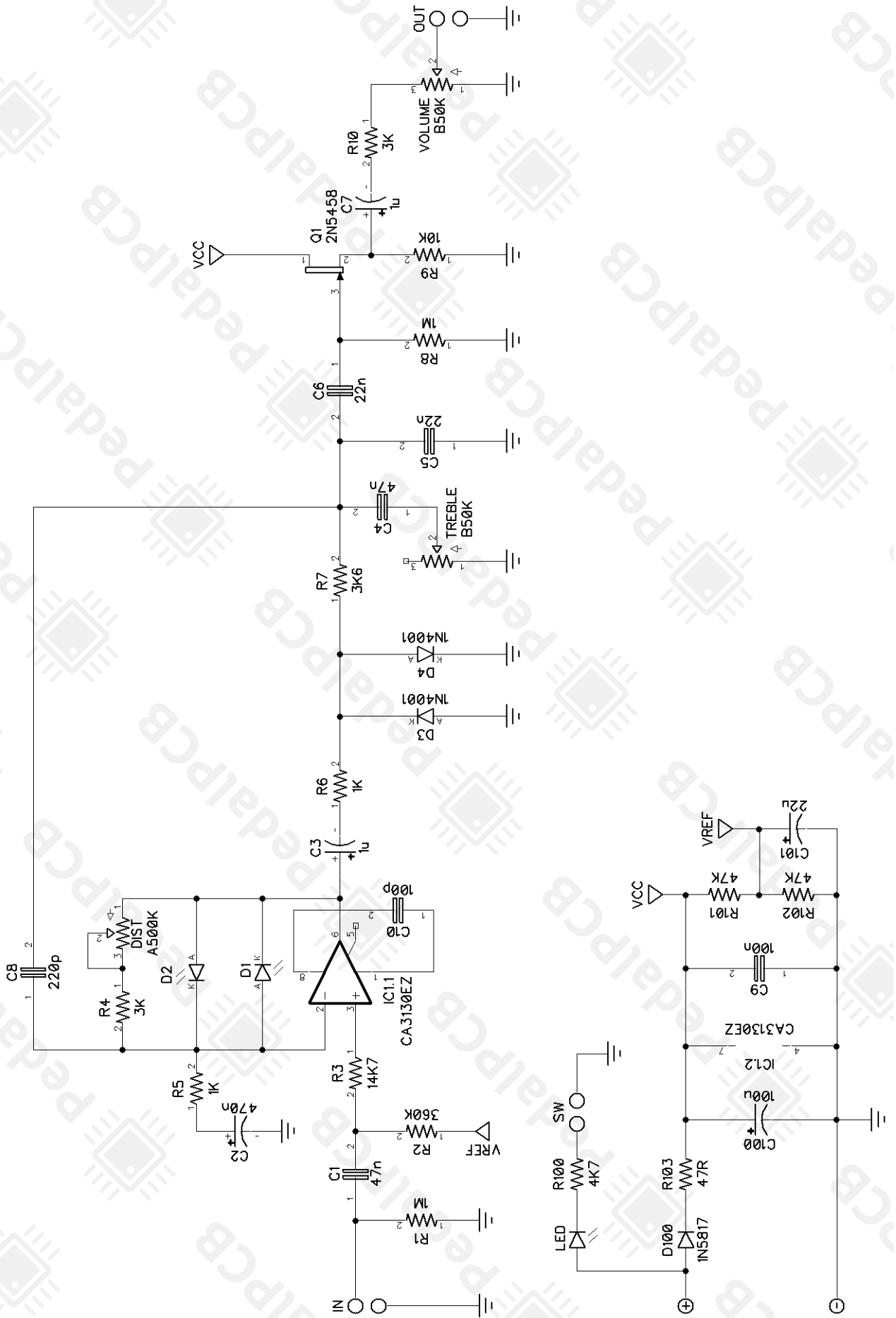
### DIODES

D1 3mm Red LED  
D2 3mm Red LED  
D3 1N4001  
D4 1N4001  
D100 1N5817

### POTENTIOMETERS

VOLUME B50K  
TREBLE B50K  
DIST A500K

# Dynasty Distortion



# Dynasty Distortion

Wiring Diagram



# Dynasty Distortion

Drill Template  
125B enclosure with top mounted jacks

