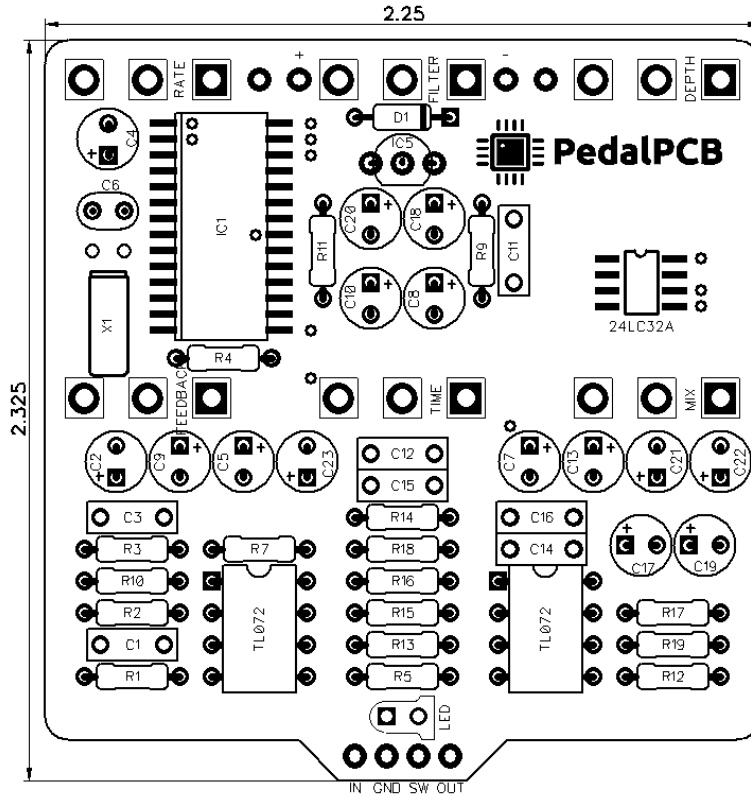


DMD-2

Revision 11.18.18



Resistors

R1	1M
R2	100K
R3	1K
R4	10K
R5	100K
R7	4K7
R9	1K
R10	1K
R11	100R
R12	100K
R13	100K
R14	10K
R15	10K
R16	100R
R17	100K
R18	10K
R19	10K

Capacitors

C1	100n	C20	47u
C2	1u	C21	1u
C3	1n	C22	1u
C4	10u	C23	1u
C5	1u		
C6	15p		
C7	1u		
C8	1u		
C9	1u		
C10	1u		
C11	1n		
C12	1n		
C13	1u		
C14	2n2		
C15	220n		
C16	120p		
C17	1u		
C18	100u		
C19	47u		

Semiconductors

IC1	Spin FV-1
IC2	24LC32A
IC3	TL072
IC4	TL072
IC5	L78L33
D1	1N5817

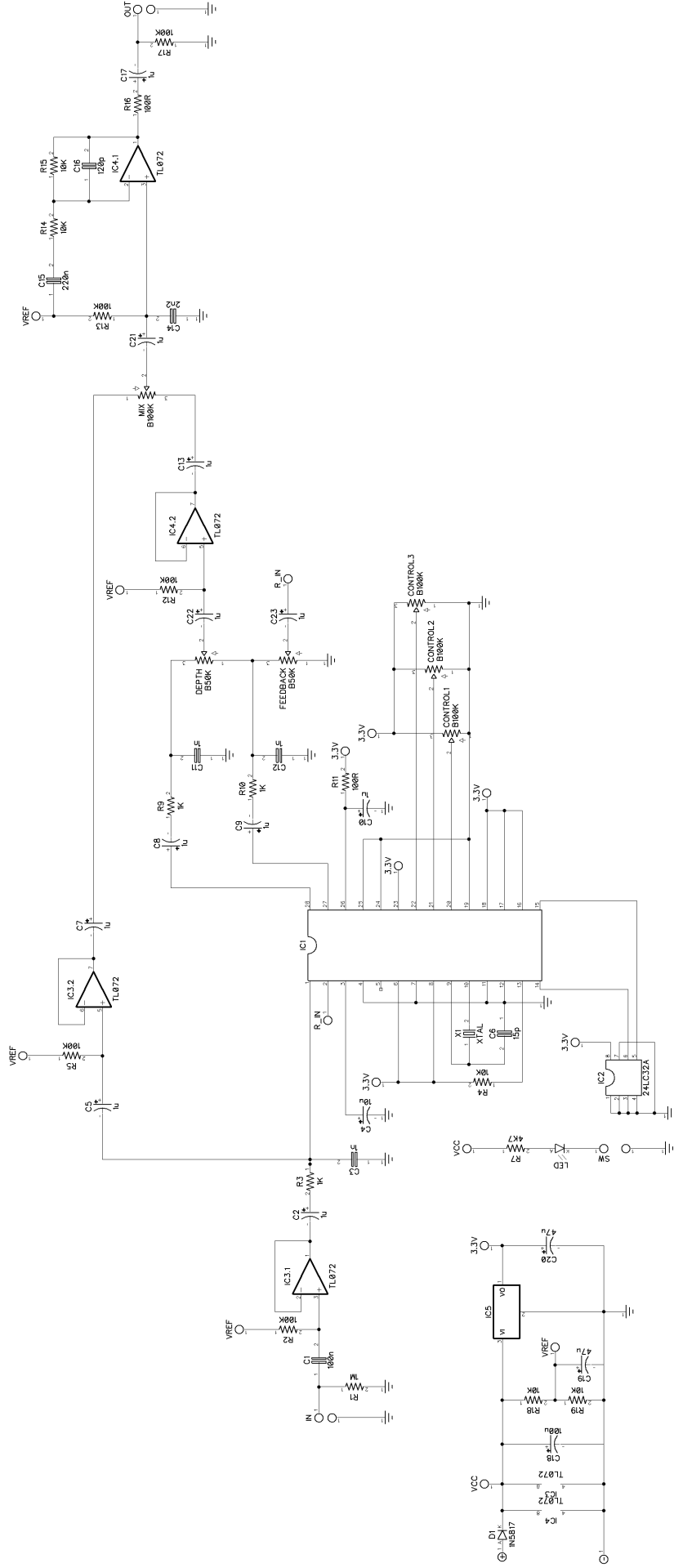
Crystal Oscillator

X1	32.768kHz Crystal
----	-------------------

Potentiometers

CONTROL1	B100K
CONTROL2	B100K
CONTROL3	B100K
DEPTH	B50K
FEEDBACK	B50K
MIX	B100K

DMD-2



Wiring Diagram

