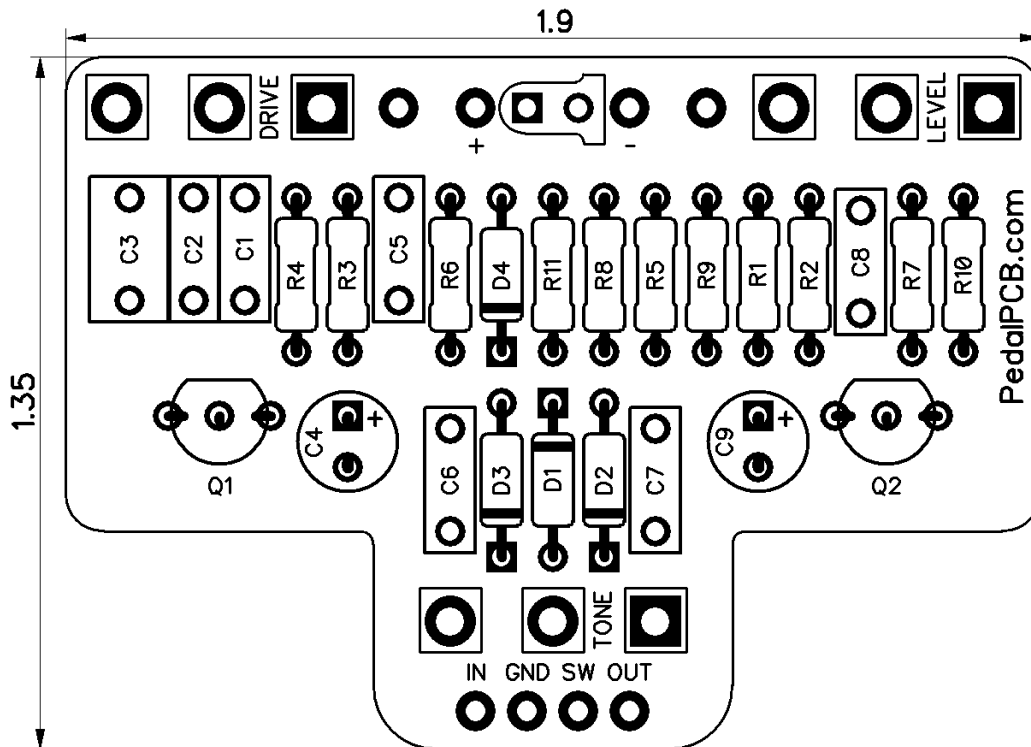


Crystal Drive

Revision 08.20.17



Resistors

R1	2M2
R2	2M2
R3	4K7
R4	470
R5	8K2
R6	1K
R7	47K
R8	470K
R9	10K
R10	1K
R11	4K7

Capacitors

C1	100n
C2	1n
C3	220n
C4	4u7
C5	100p
C6	4n7
C7	100n
C8	100n
C9	100u

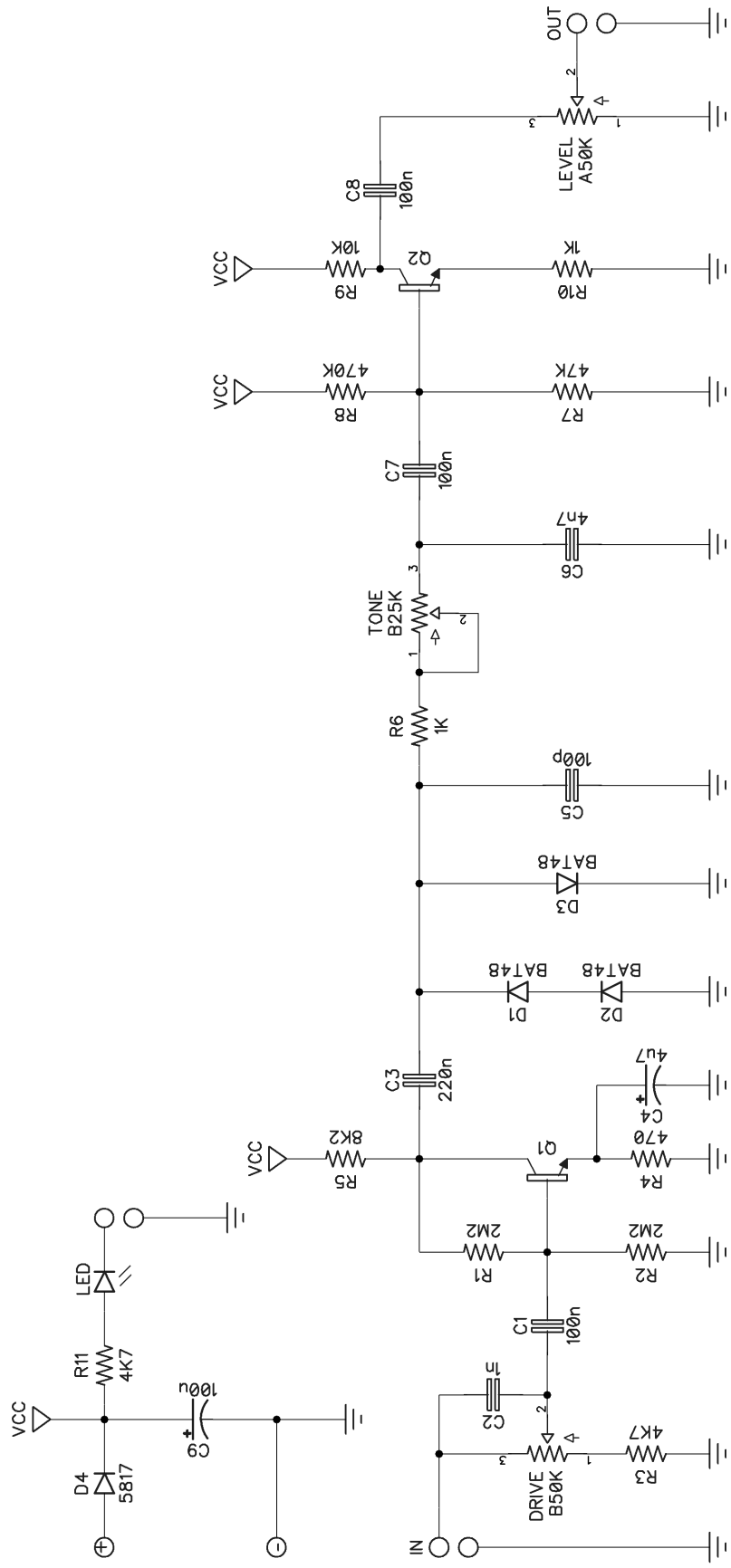
Semiconductors

Q1	MPSA18
Q2	MPSA18
D1	BAT48
D2	BAT48
D3	BAT48
D4	1N5817
LED	3mm Red LED

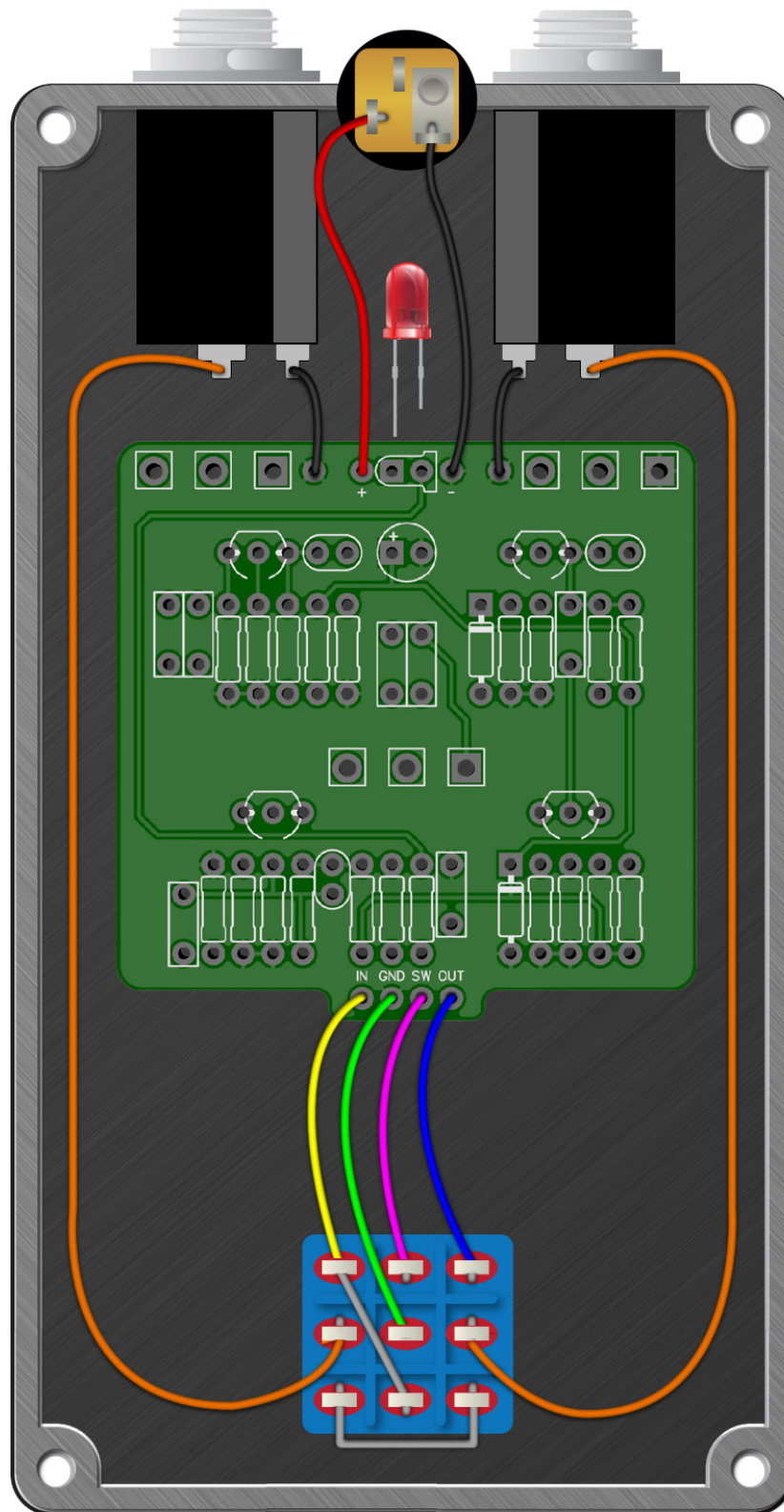
Potentiometers

LEVEL	A50K
TONE	B25K
DRIVE	B50K

Crystal Drive

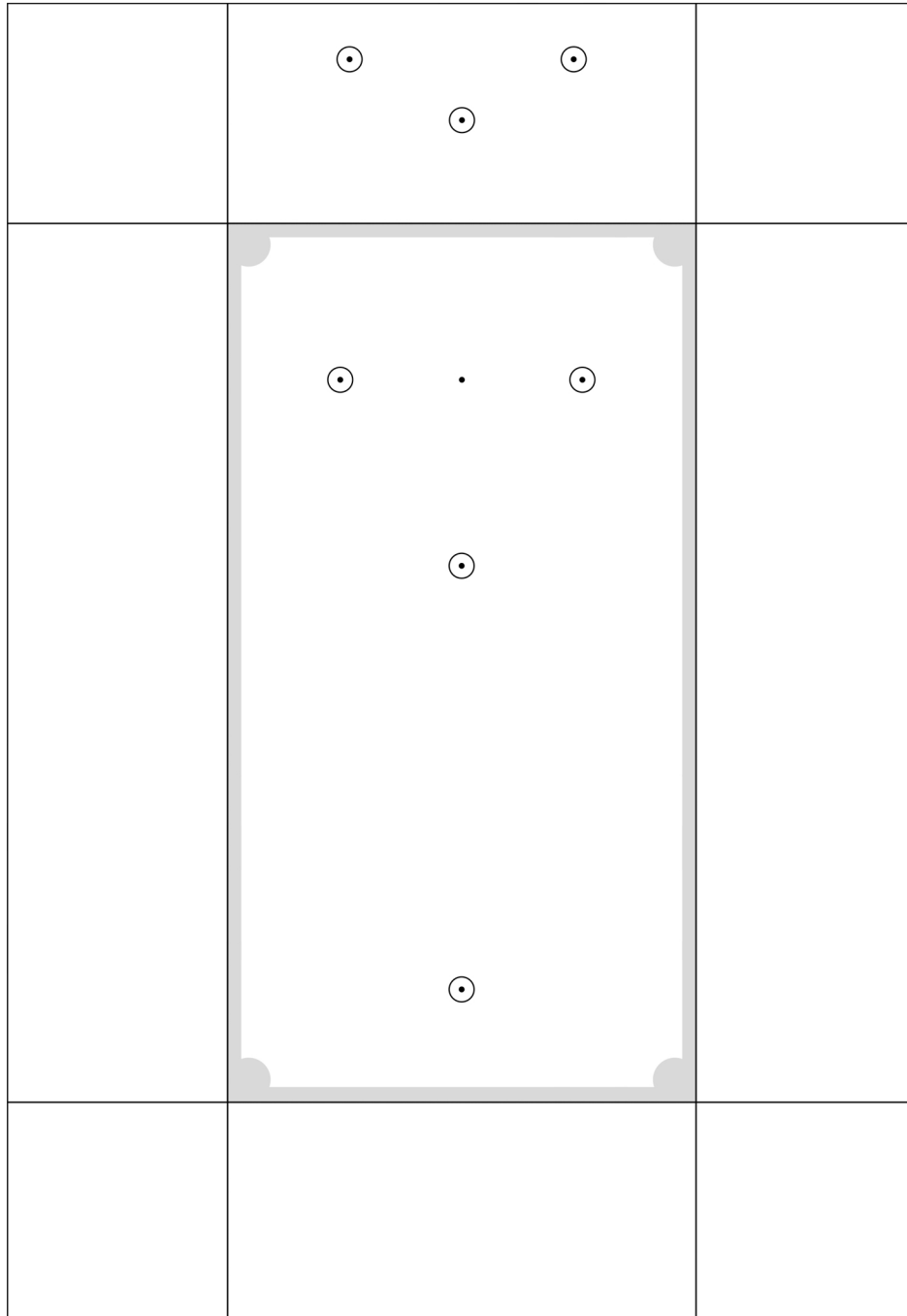


Wiring Diagram



Drill Template

4S125B enclosure with top mounted jacks



Bill of Materials

Resistors (1/4W)

1 x 470
2 x 1K
2 x 4K7
1 x 8K2
1 x 10K
1 x 47K
1 x 470K
2 x 2M2

Capacitors

1 x 100p
1 x 1n
1 x 4n7
3 x 100n
1 x 220n
1 x 4u7
1 x 100u

Semiconductors

2 x MPSA18

3 x BAT48
1 x 1N5817

1 x 3mm Red LED

Potentiometers

1 x B25K
1 x B50K
1 x A50K