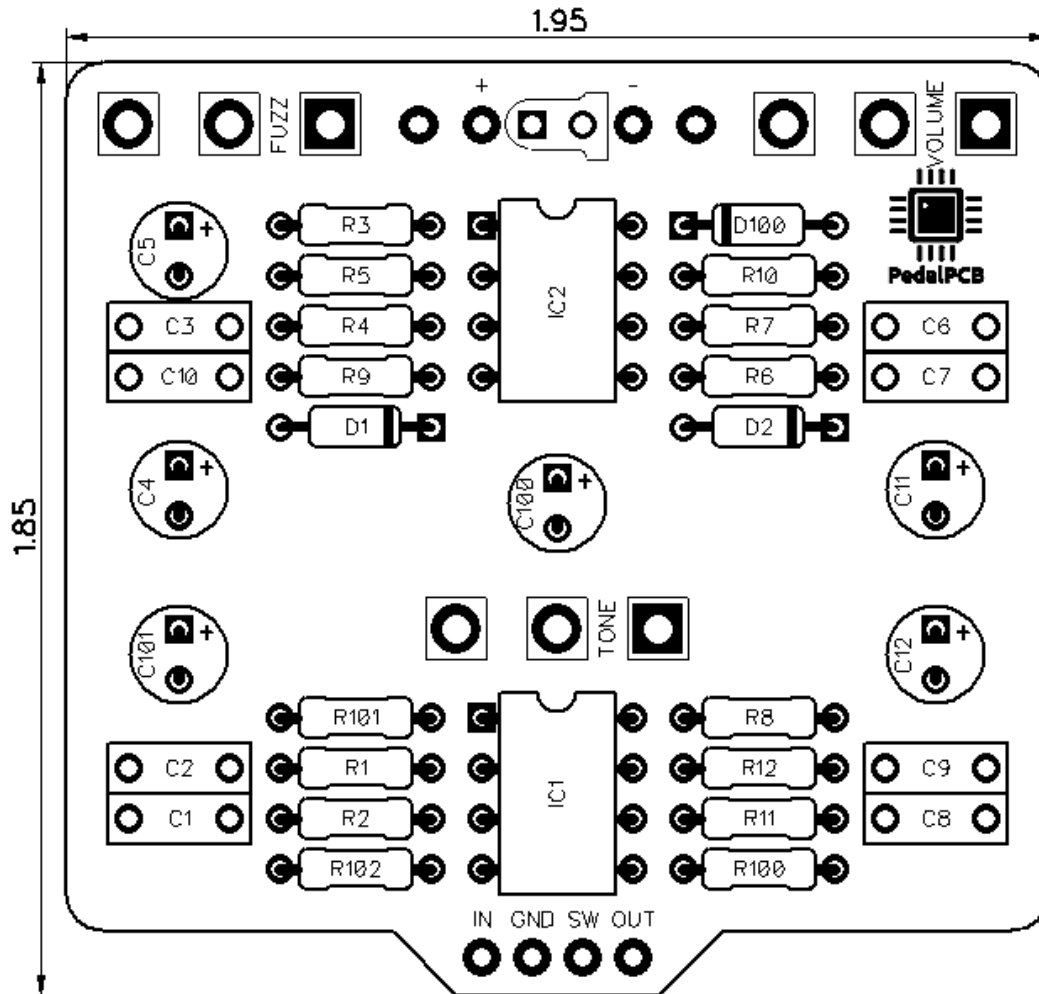




# PedalPCB

## Classic '52 Fuzz

Revision 12.09.18



### Controls

- **Volume** – Controls the overall output volume
- **Tone** – Active tone control
- **Gain** – Controls amount of distortion

All trademarks and registered trademarks are the property of their respective owners. The company, product, and service names used in this web site are for identification purposes only. Use of these names, logos, and brands does not imply endorsement.

# Classic '52 Fuzz

## Parts List

### RESISTORS (1/4W)

R1 10K  
R2 470K  
R3 3M9  
R4 3K3  
R5 10K  
R6 220K  
R7 18K  
R8 3K3  
R9 3K3  
R10 10K  
R11 1K  
R12 100K  
R100 4K7  
R101 100K  
R102 100K

### CAPACITORS

C1 10n  
C2 120p  
C3 120p  
C4 1u  
C5 1u  
C6 1n  
C7 10n  
C8 120p  
C9 100n  
C10 22n  
C11 10u  
C12 1u  
C100 100u  
C101 47u

### INTEGRATED CIRCUITS

IC1 LM1458  
IC2 LF353

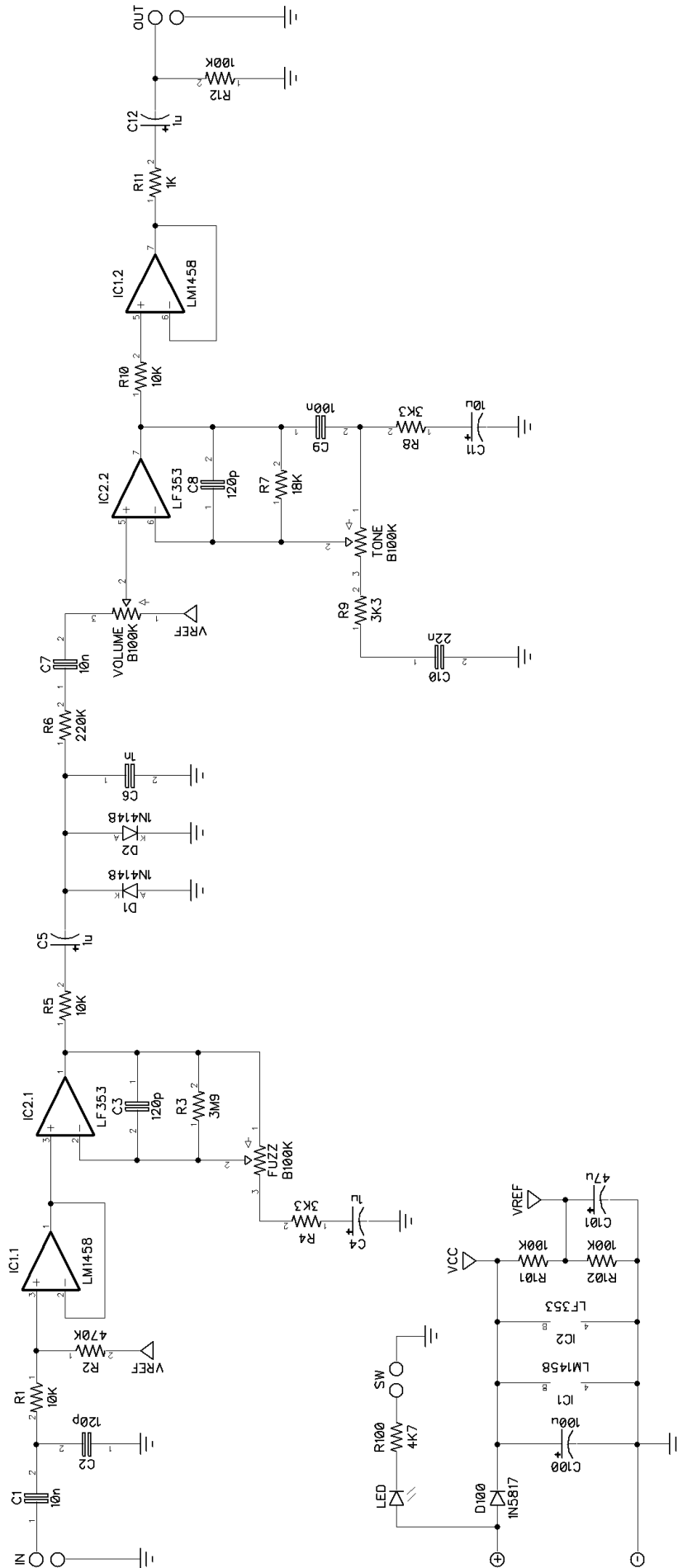
### DIODES

D1 1N4148  
D2 1N4148  
D100 1N5817

### POTENTIOMETERS

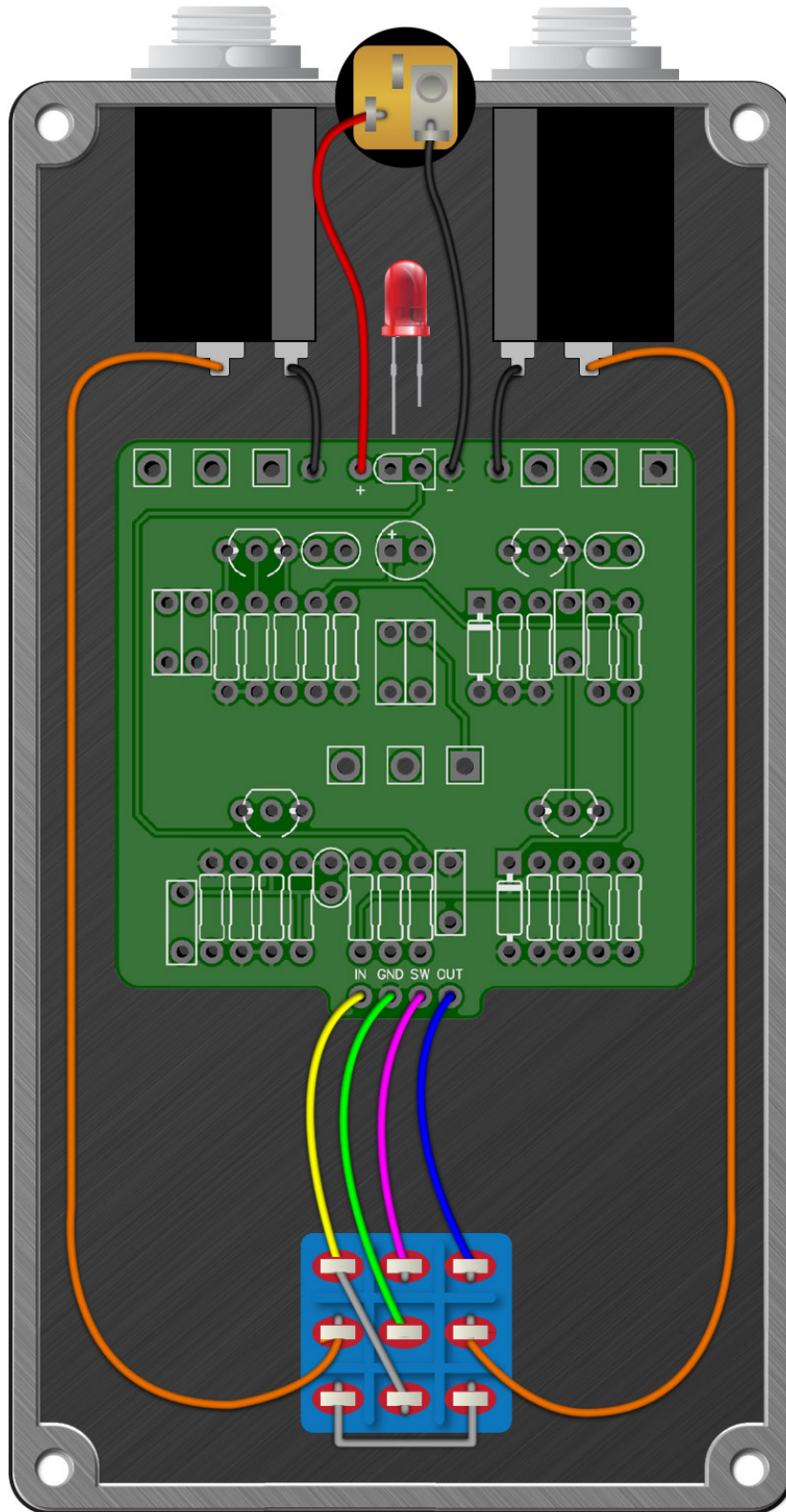
VOLUME B100K  
TONE B100K  
FUZZ B100K

# Classic '52 Fuzz



# Classic '52 Fuzz

Wiring Diagram



# Classic '52 Fuzz

Drill Template  
125B enclosure with top mounted jacks

