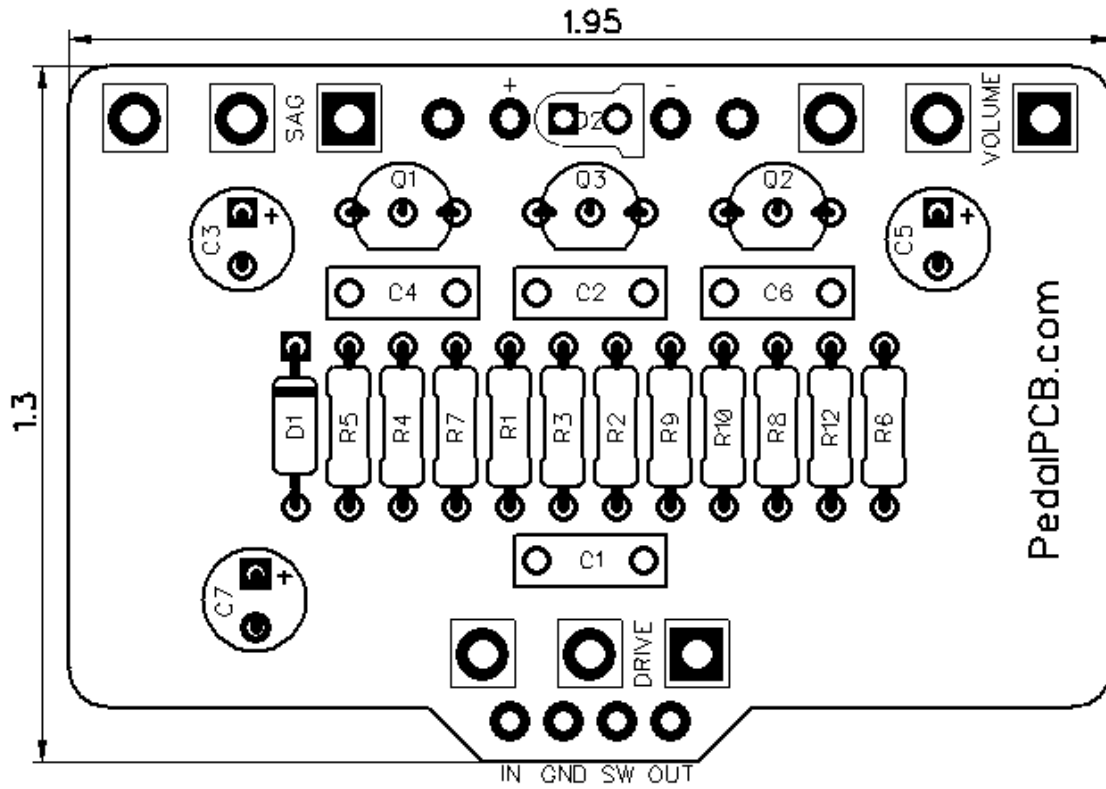


PedalPCB.com

Chop Shop

Revision 03.26.18



Resistors

R1	2M
R2	33K
R3	2M
R4	1K
R5	8K2
R6	4K7
R7	33K
R8	1K
R9	9K1
R10	1K
R12	4K7

Capacitors

C1	10n
C2	100p
C3	10u
C4	47n
C5	10u
C6	100n
C7	220u

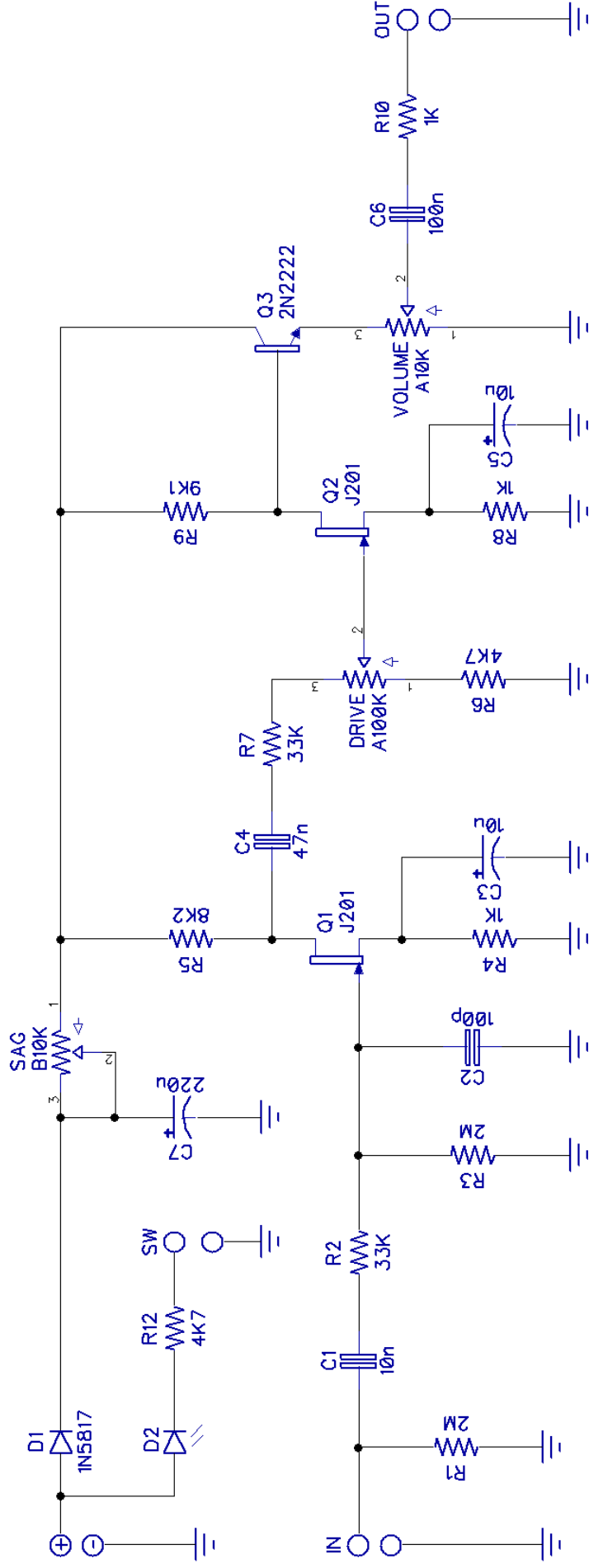
Semiconductors

Q1	J201
Q2	J201
Q3	2N2222
D1	1N5817
D2	Indicator LED

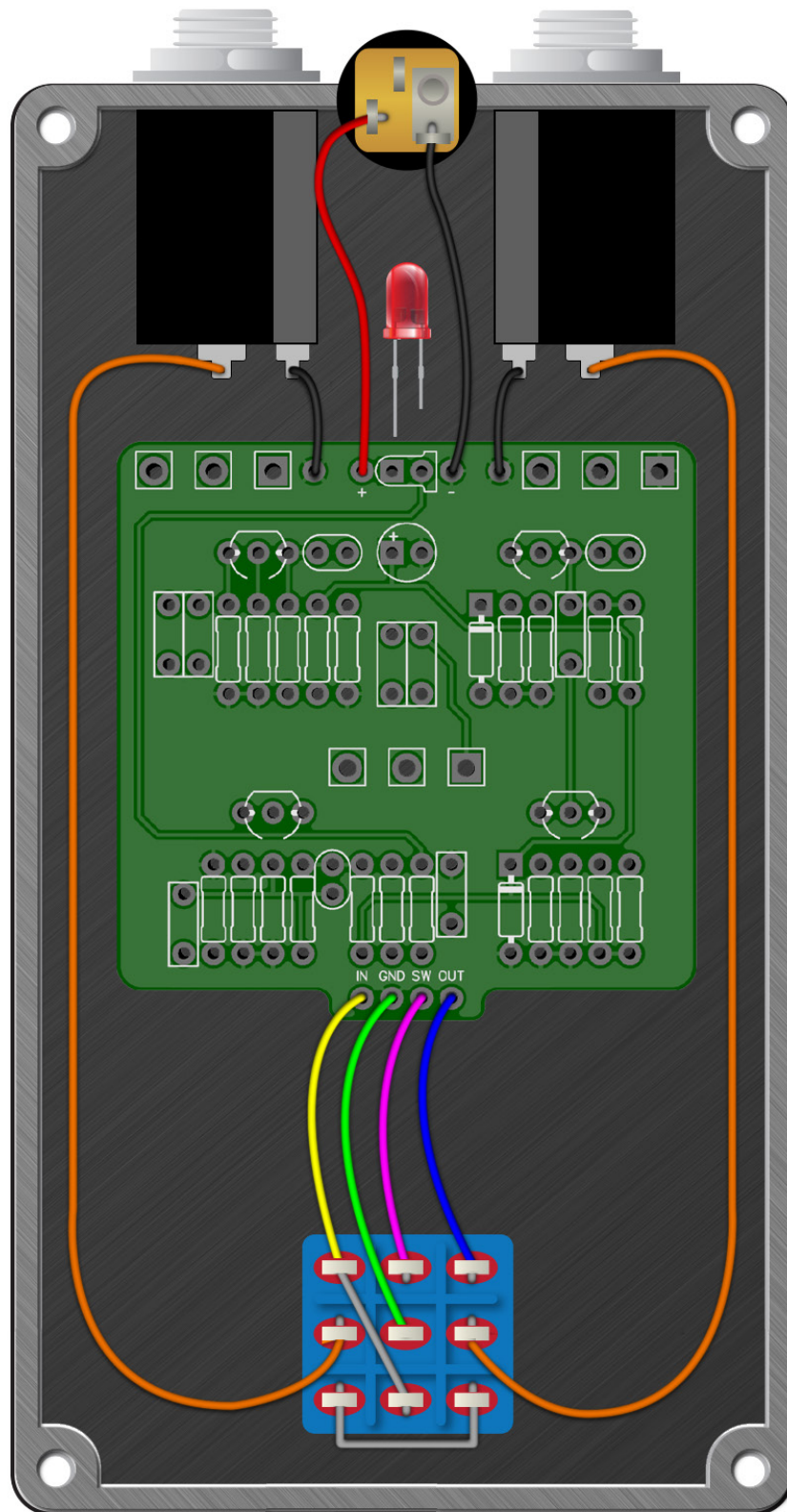
Potentiometers

VOLUME	A10K
SAG	B10K
DRIVE	A100K

Chop Shop



Wiring Diagram



Drill Template

4S125B enclosure with top mounted jacks

