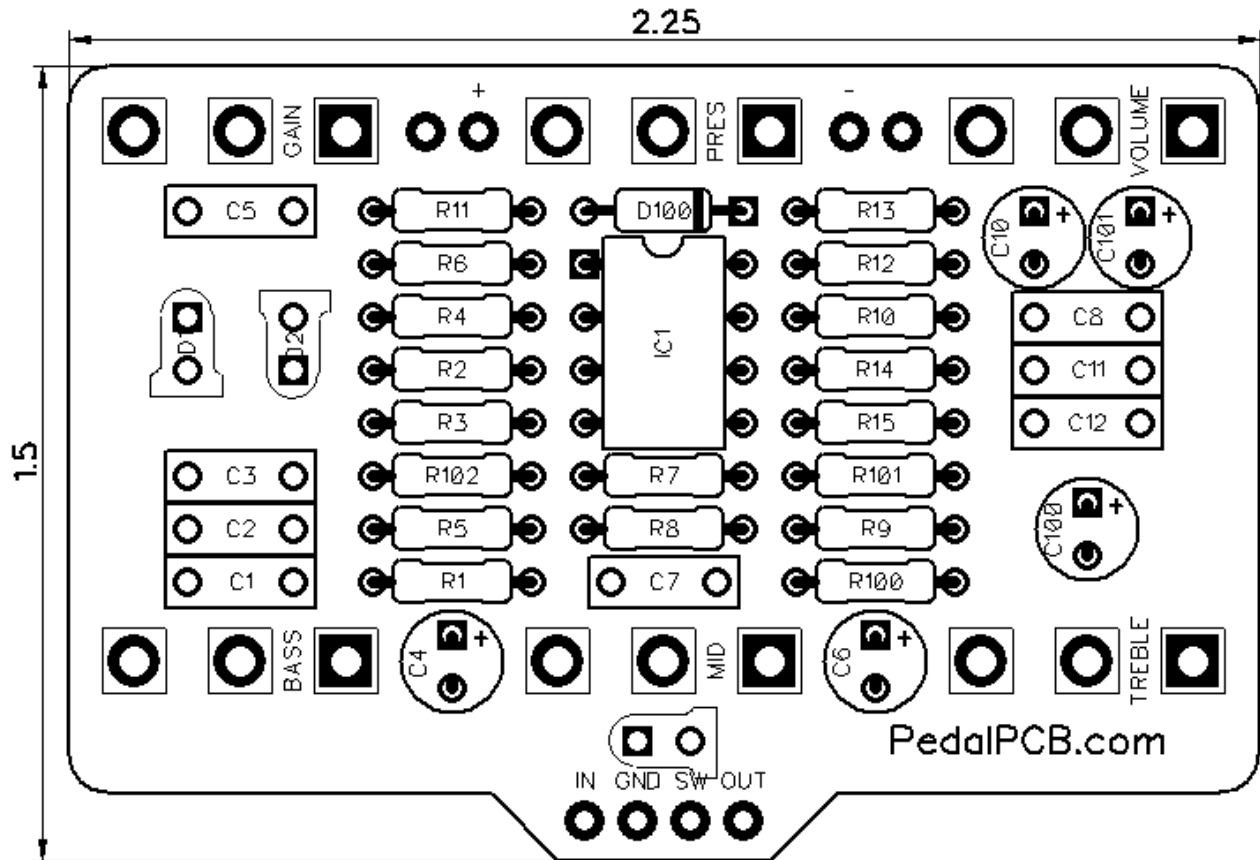




PedalPCB

Chela

Revision 09.07.19



Controls

- **Volume** - Controls the overall output volume
- **Gain** - Controls the amount of dirt
- **Treble** - Boosts or Cuts Treble
- **Mid** - Boosts or Cuts Midrange
- **Bass** - Boosts or Cuts Bass
- **Presence** - Adjusts top end / upper mids

All trademarks and registered trademarks are the property of their respective owners. The company, product, and service names used in this web site are for identification purposes only. Use of these names, logos, and brands does not imply endorsement.

RESISTORS

R1 3M3
R2 1K
R3 220K
R4 4K7
R5 1K
R6 1K
R7 3K3
R8 10K
R9 2K2
R10 3K3
R11 10K
R12 2K2
R13 1K
R14 10K
R15 10K
R100 4K7
R101 10K
R102 10K

CAPACITORS

C1 100p
C2 100n
C3 100p
C4 1u
C5 3n3
C6 1u
C7 47n
C8 4n7
C10 2u2
C11 4n7
C12 22n
C100 100u
C101 10u

INTEGRATED CIRCUITS

IC1 TL072

DIODES

D1 3mm Red LED
D2 3mm Red LED
D100 1N5817

POTENTIOMETERS

VOLUME A100K
GAIN A500K
TREBLE B100K
MID B50K
BASS B50K
PRES B5K

