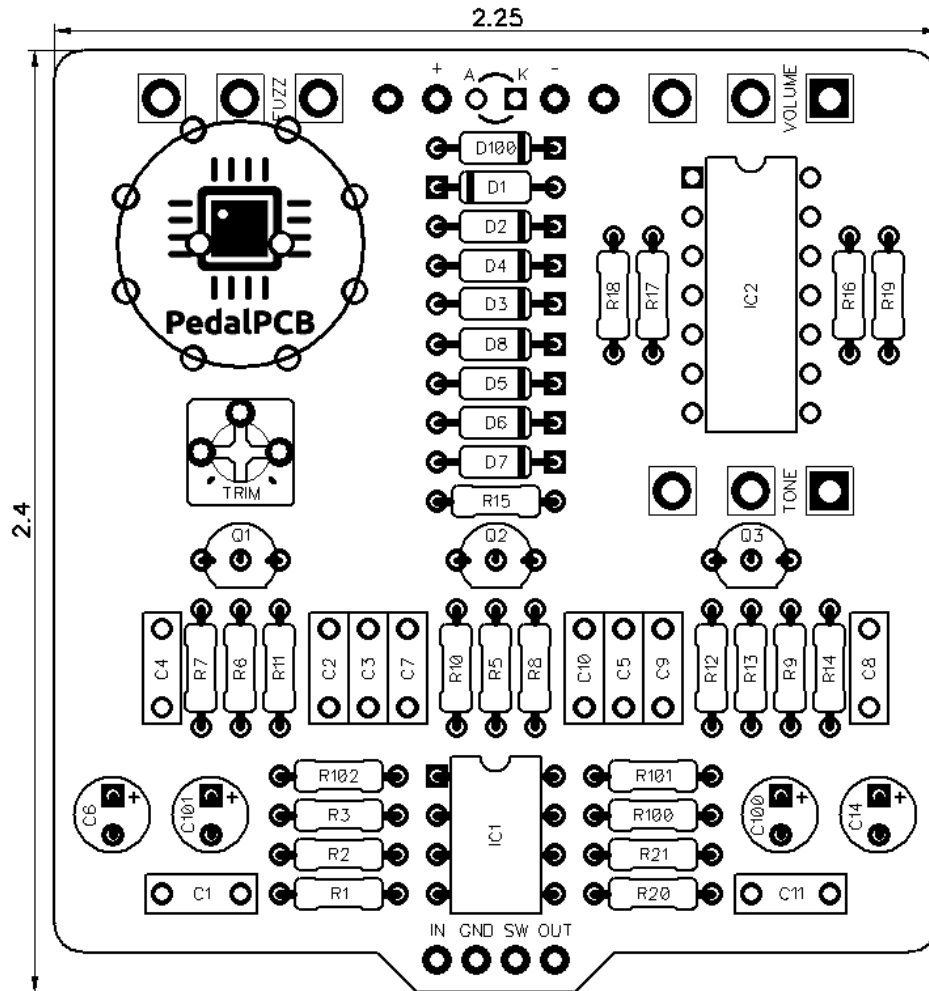




PedalPCB

CheeseMonger Fuzz

Revision 11.08.19



Controls

- Volume
- Fuzz
- Tone
- Mode (Rotary Switch)
- Trim (Trim Pot)

All trademarks and registered trademarks are the property of their respective owners. The company, product, and service names used in this web site are for identification purposes only. Use of these names, logos, and brands does not imply endorsement.

RESISTORS (1/4W)

R1 2M2
R2 1K
R3 330K
R5 100K
R6 470R
R7 470K
R8 10K
R9 47K
R10 100K
R11 1K
R12 47K
R13 47K
R14 47K
R15 47K
R16 10K
R17 10K
R18 10K
R19 10K
R20 330K
R21 470R
R100 4K7
R101 47K
R102 47K

CAPACITORS

C1 47n
C2 1n5
C3 47n
C4 47n
C5 47n
C6 4u7
C7 47p
C8 10n
C9 2n2
C10 6n8
C11 47n
C14 4u7
C100 47u
C101 4u7

INTEGRATED CIRCUITS

IC1 TL072
IC2 CD4066

TRANSISTORS

Q1 2N3904
Q2 2N3904
Q3 2N3904

DIODES

D1 1N4148
D2 1N4148
D3 1N4148
D4 1N4148
D5 1N4148
D6 1N4148
D7 1N4148
D8 1N4148
D100 1N5817

POTENTIOMETERS

VOLUME A10K
FUZZ B1K
TONE B100K

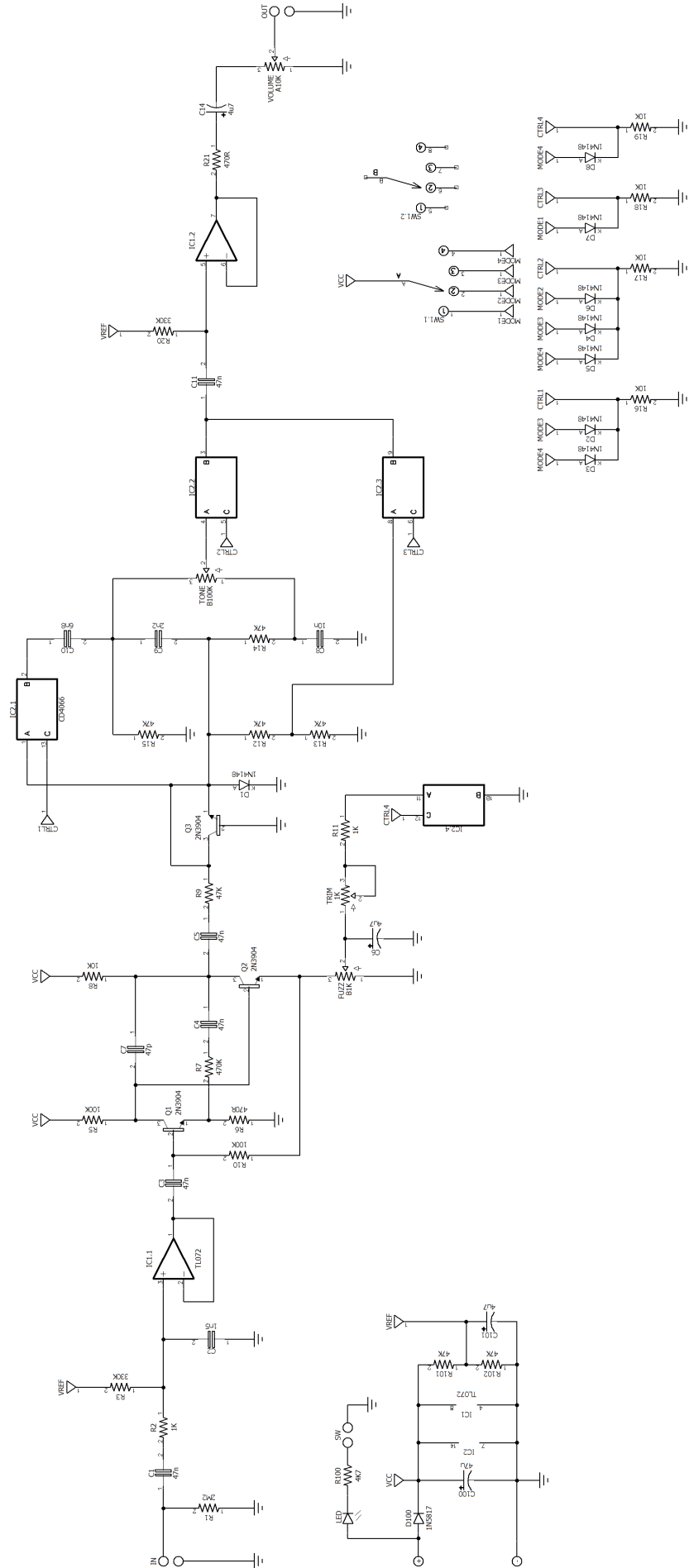
SWITCHES

SW1 2P4T Rotary Switch (16mm)

TRIM POTS (3362P style)

TRIM 1K

CheeseMonger Fuzz



CheeseMonger Fuzz

Wiring Diagram



