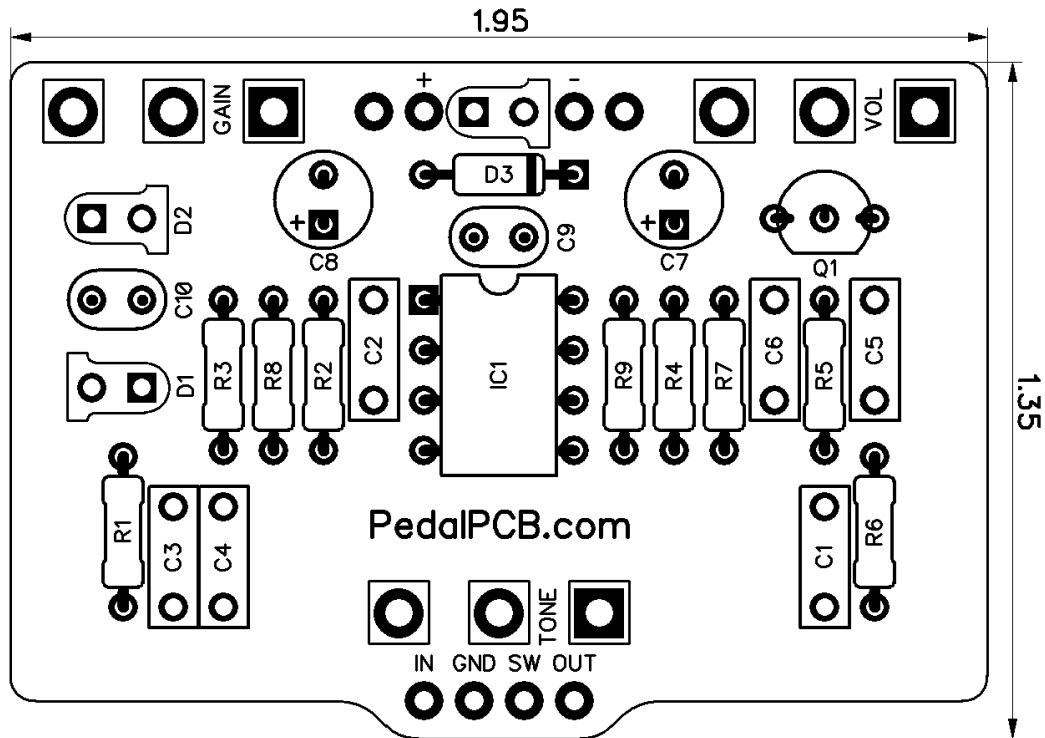


Celestial Drive

Revision 08.17.17



Resistors

R1	1M
R2	470K
R3	1.8K
R4	470K
R5	10K
R6	1M
R7	2.2K
R8	10K
R9	4.7K

Capacitors

C1	100n
C2	47n
C3	1n
C4	220n
C5	100n
C6	3n3
C7	10uF
C8	100uF
C9	30pF
C10	100pF

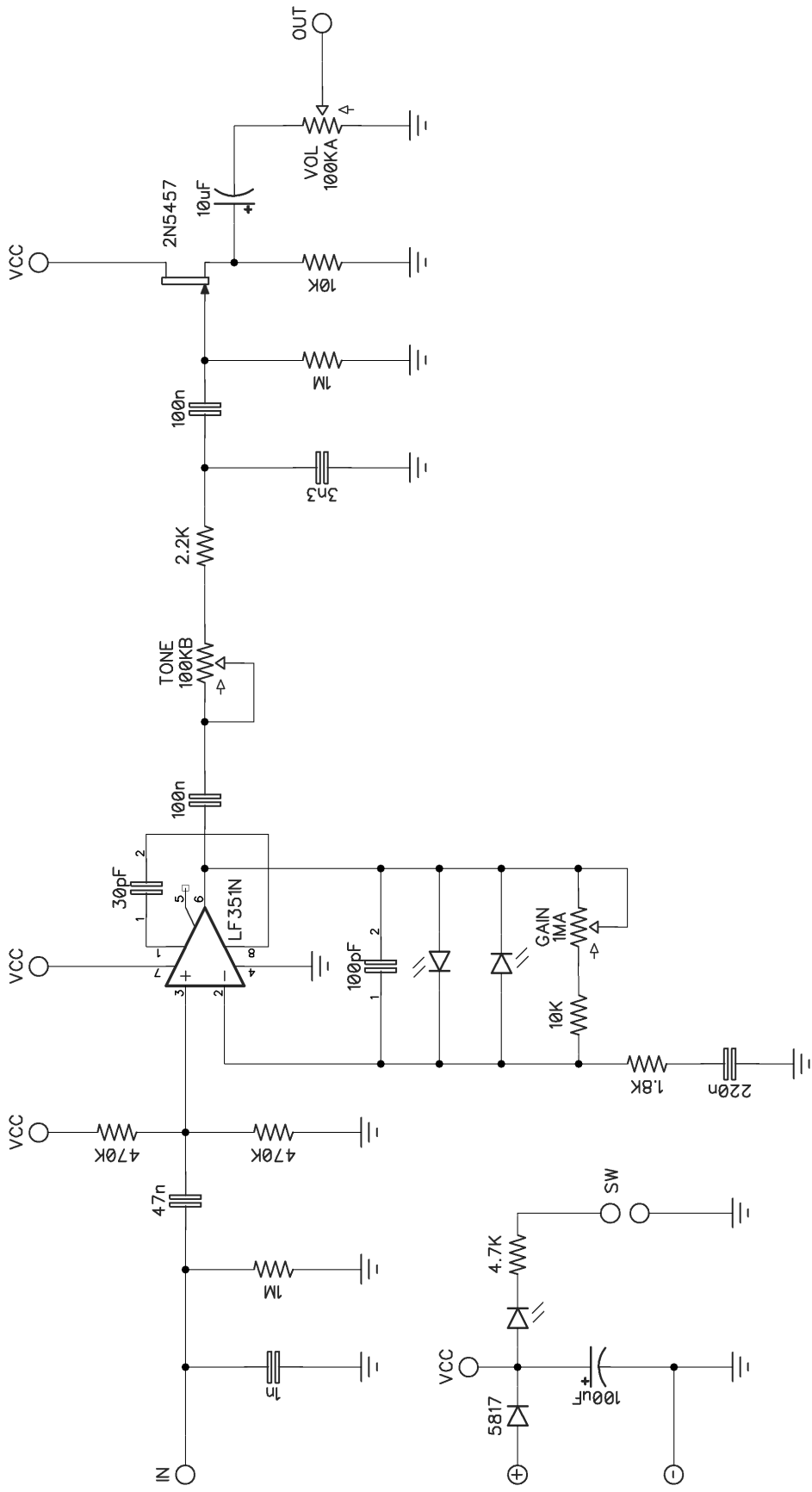
Semiconductors

IC1	LF351N
Q1	2N5457
D1	3mm Red LED
D2	3mm Red LED
D3	1N5817
D4	3mm Red LED

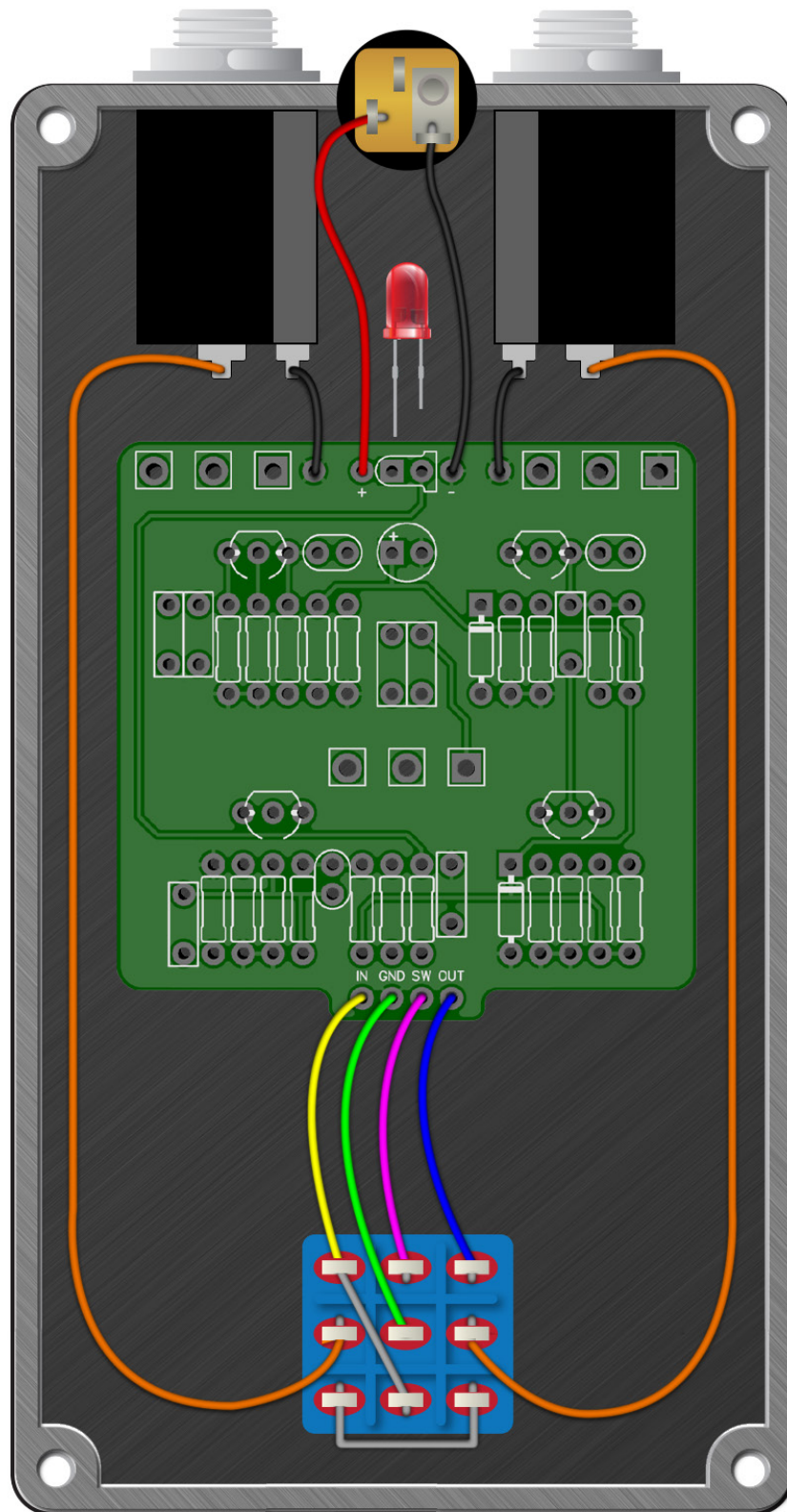
Potentiometers

VOLUME	A100K
TONE	B100K
GAIN	A1M

Celestial Drive

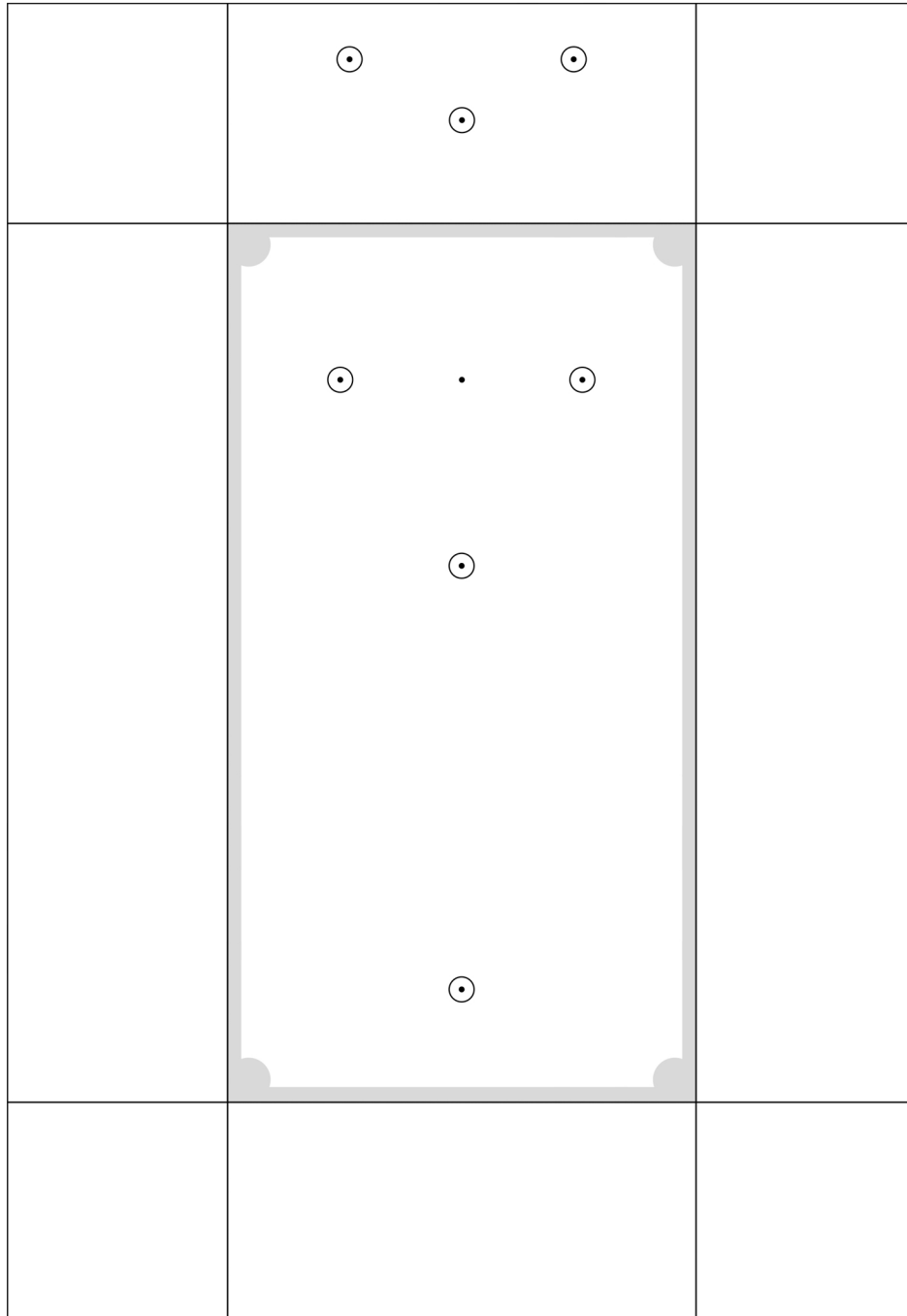


Wiring Diagram



Drill Template

4S125B enclosure with top mounted jacks



Bill of Materials

Resistors (1/4W)

1 x 1.8K
1 x 2.2K
1 x 4.7K
2 x 10K
2 x 470K
2 x 1M

Capacitors

1 x 30p
1 x 100p
1 x 1n
1 x 3n3
1 x 47n
2 x 100n
1 x 220n
1 x 10u
1 x 100u

Semiconductors

1 x 1N5817
1 x 2N5457
1 x LF351N
3 x 3mm Red LED

Potentiometers

1 x B100K
1 x A100K
1 x A1M