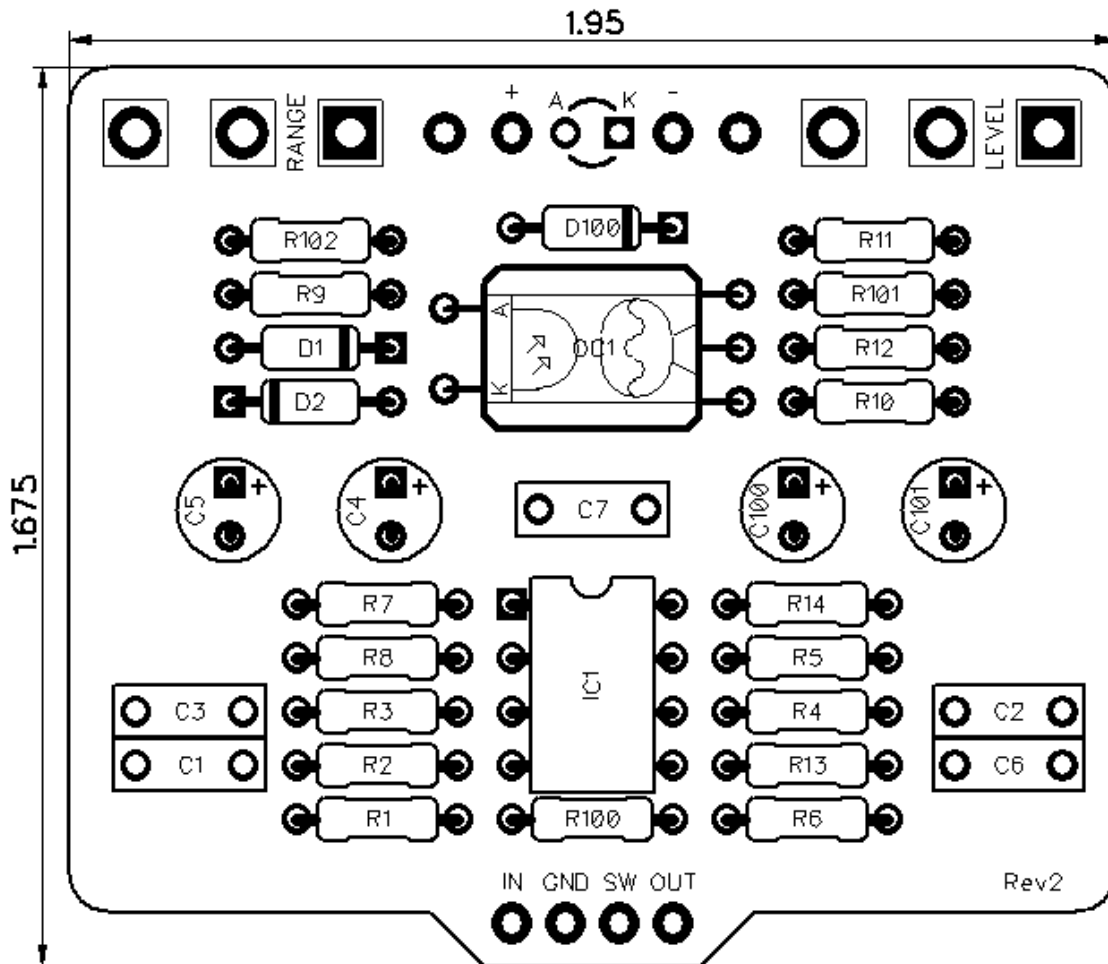




# PedalPCB

## CDXL Envelope Filter

Revision 11.07.19



### Controls

- Range
- Level

# CDXL Envelope Filter

## Parts List

### RESISTORS (1/4W)

R1 1M5  
R2 10K  
R3 100K  
R4 220K  
R5 430K  
R6 100K  
R7 2M2  
R8 10K  
R9 2K2  
R10 22K  
R11 100K  
R12 220K  
R13 220K  
R14 100K  
R100 4K7  
R101 22K  
R102 22K

### CAPACITORS

C1 10n  
C2 47n  
C3 100n  
C4 4u7  
C5 1u  
C6 22n  
C7 22n  
C100 100u  
C101 10u

### OPTICAL

OC1 VTL5C4/2

### INTEGRATED CIRCUITS

IC1 TL072

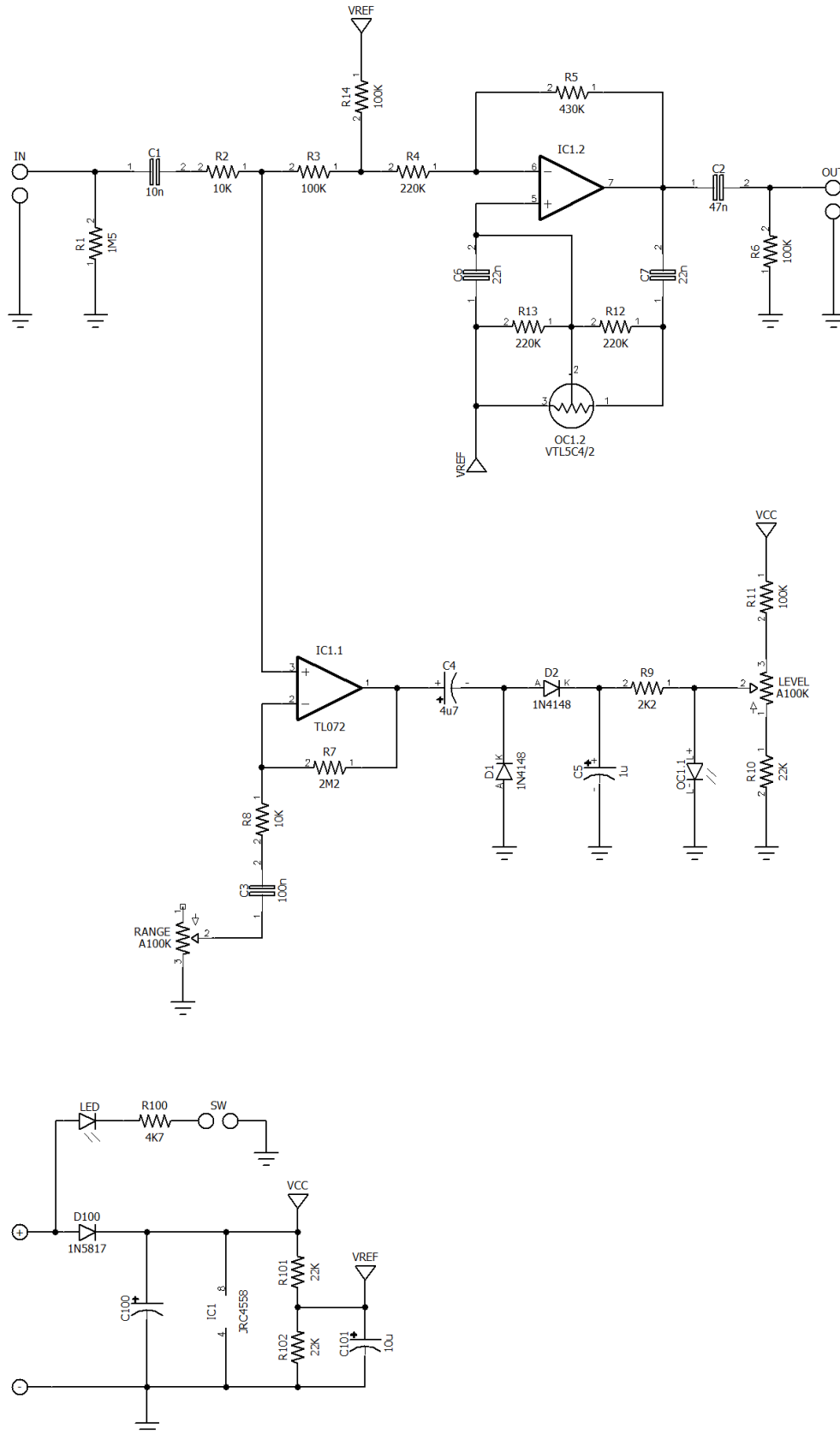
### DIODES

D1 1N4148  
D2 1N4148  
D100 1N5817

### POTENTIOMETERS

RANGE A100K  
LEVEL A100K

# CDXL Envelope Filter



# CDXL Envelope Filter

Wiring Diagram



# CDXL Envelope Filter

Drill Template  
125B Enclosure

