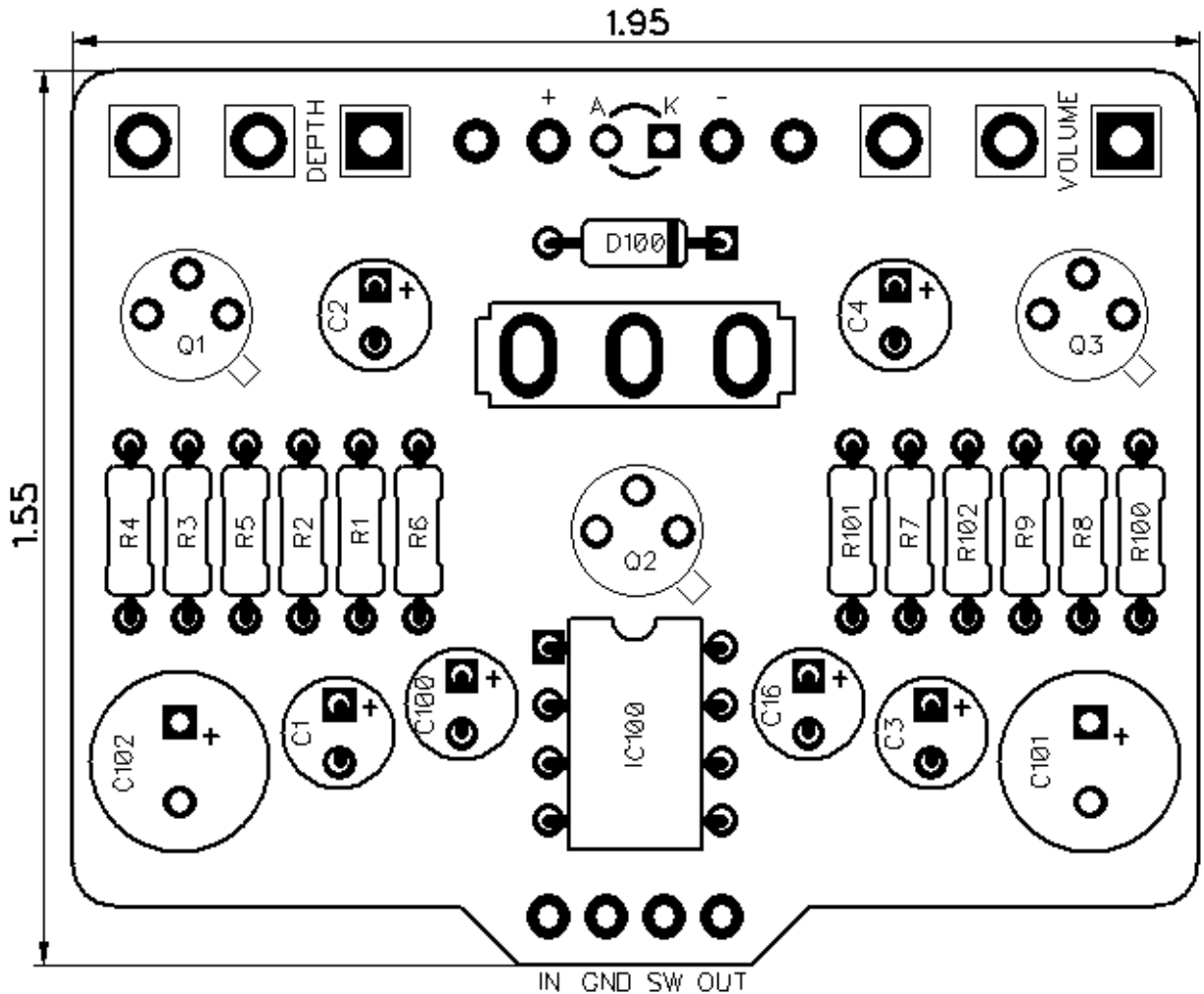




# PedalPCB

## Buzz Tone

Revised 8/12/20



### CONTROLS AND FEATURES

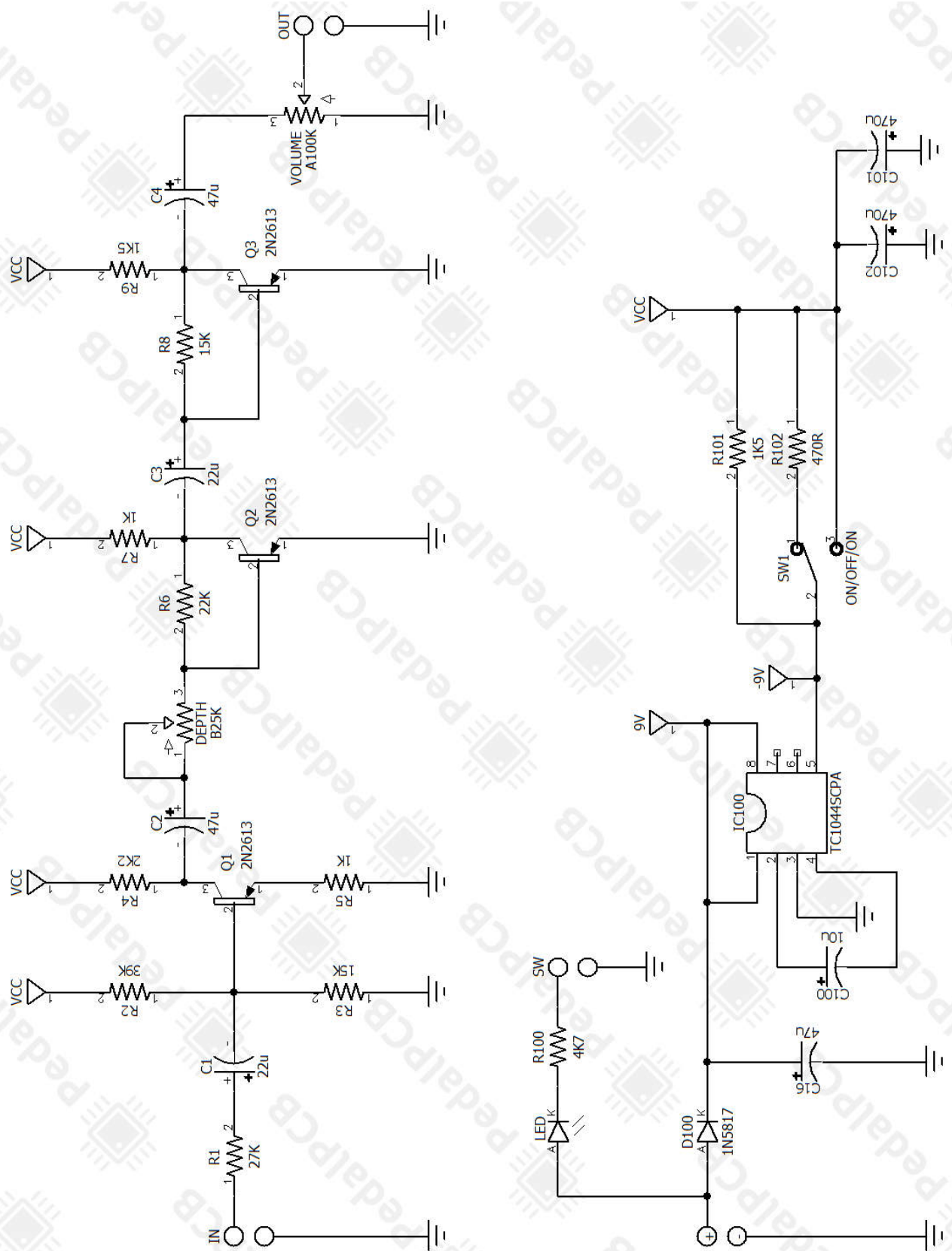
- Volume
- Depth
- Voltage (9V, 3V, 6V) - Toggle Switch

All trademarks and registered trademarks are the property of their respective owners. The company, product, and service names used in this web site are for identification purposes only. Use of these names, logos, and brands does not imply endorsement.

LOCATION	VALUE	TYPE	NOTES
R1	27K	Resistor, 1/4W	
R2	39K	Resistor, 1/4W	
R3	15K	Resistor, 1/4W	
R4	2K2	Resistor, 1/4W	
R5	1K	Resistor, 1/4W	
R6	22K	Resistor, 1/4W	
R7	1K	Resistor, 1/4W	
R8	15K	Resistor, 1/4W	
R9	1K5	Resistor, 1/4W	
R100	4K7	Resistor, 1/4W	
R101	1K5	Resistor, 1/4W	
R102	470R	Resistor, 1/4W	
C1	22u	Electrolytic capacitor, 5mm	
C2	47u	Electrolytic capacitor, 5mm	
C3	22u	Electrolytic capacitor, 5mm	
C4	47u	Electrolytic capacitor, 5mm	
C16	47u	Electrolytic capacitor, 5mm	
C100	10u	Electrolytic capacitor, 5mm	
C101	470u	Electrolytic capacitor, 8mm	
C102	470u	Electrolytic capacitor, 8mm	
D100	1N5817	Schottky diode, DO-41	
Q1	2N2613	Germanium transistor, PNP - TO1	
Q2	2N2613	Germanium transistor, PNP - TO1	
Q3	2N2613	Germanium transistor, PNP - TO1	
IC100	TC1044SCPA	Charge Pump IC	
VOLUME	A100K	16mm right-angle PCB mount pot	
DEPTH	B25K	16mm right-angle PCB mount pot	
SW1	SPDT	ON/OFF/ON	

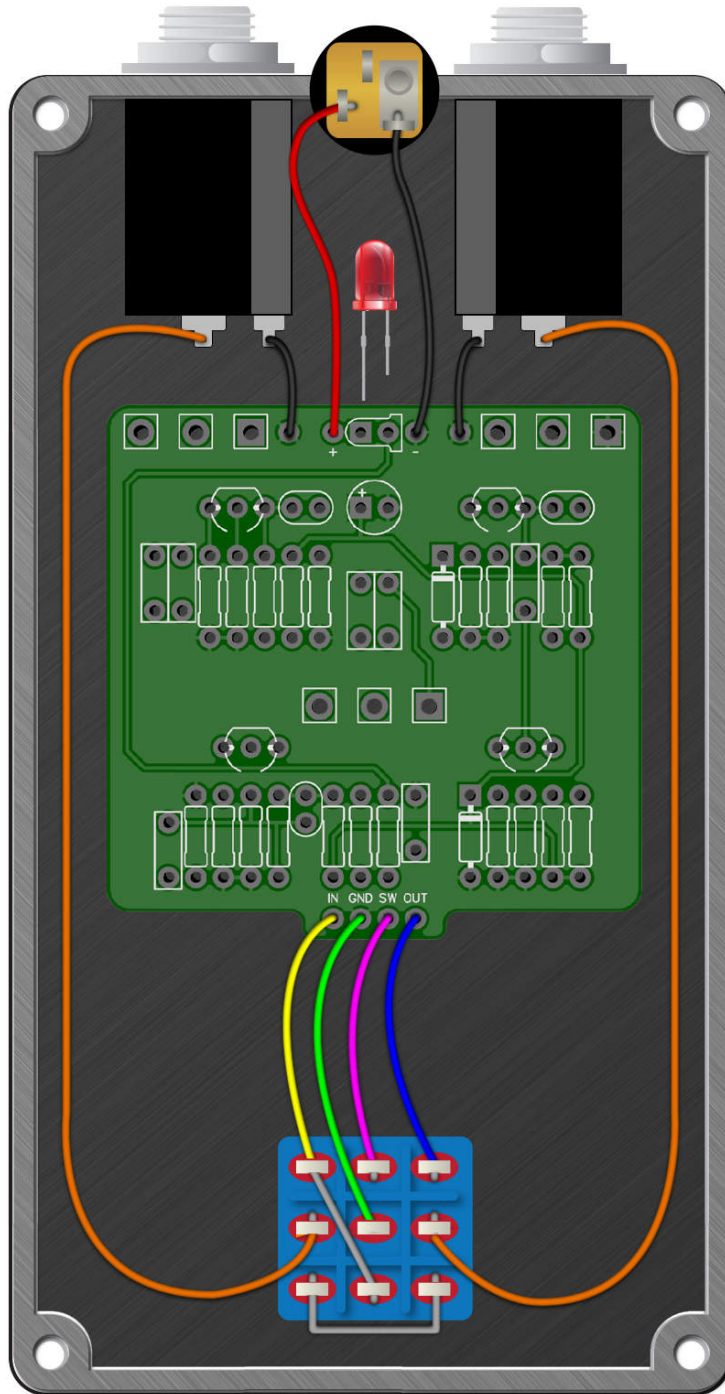
# Buzz Tone

Schematic Diagram



# Buzz Tone

Wiring Diagram



# Buzz Tone

Drill Template  
125B enclosure

